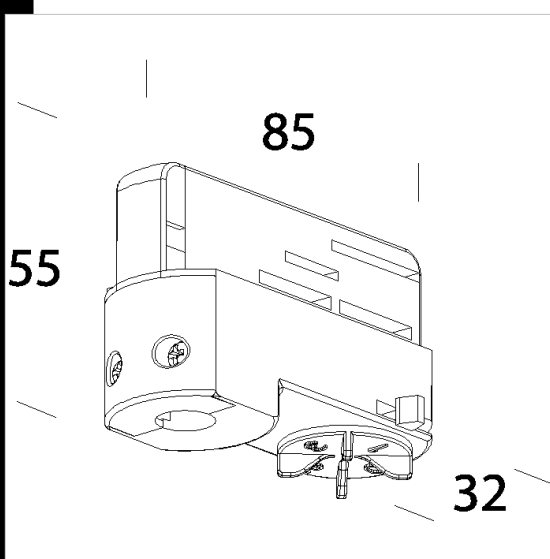


Download

DXF 2D
- adatt.dxf



Code	Kg	WTot	Colour
22093415-00	0,08	0 W	BLANC
22093475-00	0,07	0 W	GRIS
22093435-00	0,19	0 W	NOIR

Prodotti



- Omnitrack 3 allumages



- Omnitrack encastrement



- Trial-One LED

The reported luminous flux is the flux emitted by the light source with a tolerance of $\pm 10\%$ compared to the indicated value. The W tot column indicates the total wattage absorbed by the system without exceeding 10% of the indicated