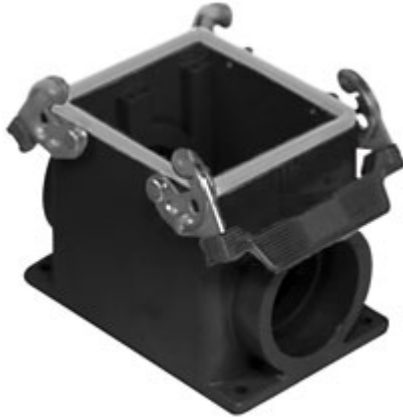


Part number

MHPW 32.50



Surface mounting housing, W-TYPE series, with 2 levers, M50 cable entry, size "77.62"

Product description

Product type	Surface mounting housing
Series	W-TYPE
Closing type	With 2 levers
Size	Size 77.62
Cable entry	With cable entry M50

Technical data

IP degree of protection IP65 / IP66 / IP69

Further technical details

Weight	770,00 g
Operating temperature range (min, max)	-40°C...+125°C

Material properties

Other materials	Lever: Stainless steel, polyamide (PA)
Colour	RAL 9005 black
RoHs conformity	Compliant
China RoHs - EFUP	E
REACH SVHC substances	No

Approvals / Standards

Certifications	DNV, BV
UL	ECBT2
cUL	ECBT8

General ordering information

EAN13 code	8015747019019
eCl@ss 8.1	27440202
ETIM 7.0	EC000437

Packaging Information

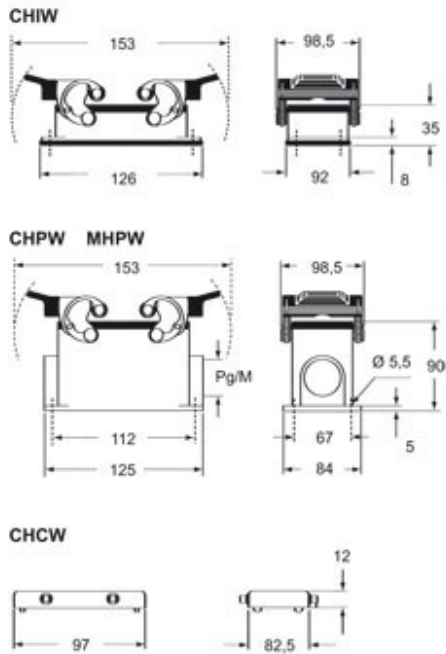
Packaging length	255,00 mm
Packaging height	195,00 mm
Packaging width	245,00 mm
Packaging weight	6,41 kg
Packaging volume	12,18 dm ³
Packaging description	Carton box
Packaging quantity	8 Pcs
Packaging EAN code	8015747035941
Sub-packaging weight	0,80 kg
Sub-packaging description	Plastic packaging
Sub-packaging quantity	1 Pcs
Sub-packaging EAN barcode	8015747035958

Part number

MHPW 32.50



Catalogue drawings



Notes

Dimensions shown in mm are not binding and may be changed without notice.