

FIGURE 1

KIT CONTAINS	
DESCRIPTION	QUANTITY
ADHESIVE BACKED WIRE MANAGER	4
VWS10-C20 CABLE MANAGER	2
5/8" HOLE PLUG	2
5/8" GLAND MANAGEMENT GLAND	1
SPLICE CHIP WITH ADHESIVE BACKING	1
FAPB FAP BLANK	1

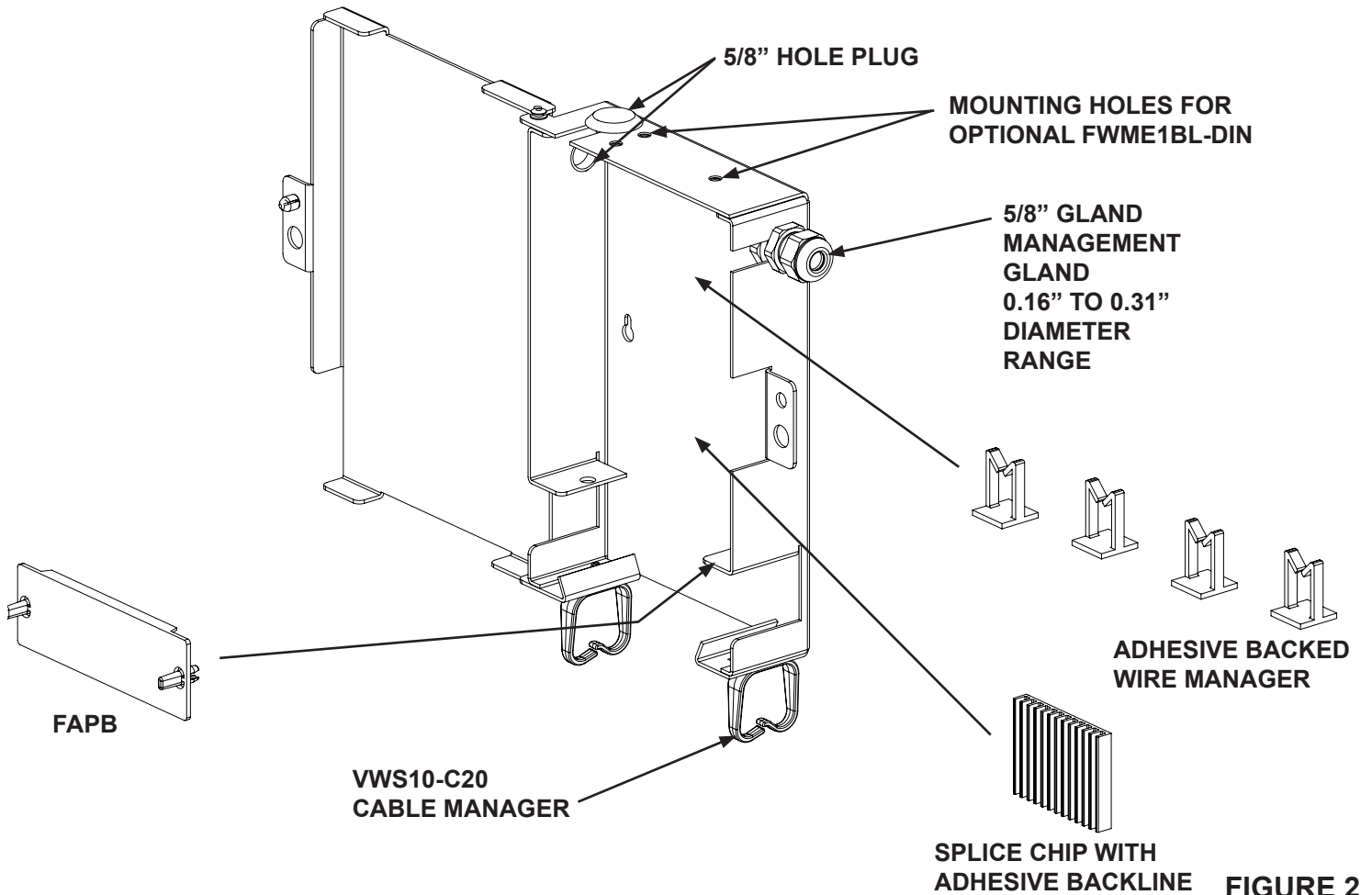


FIGURE 2

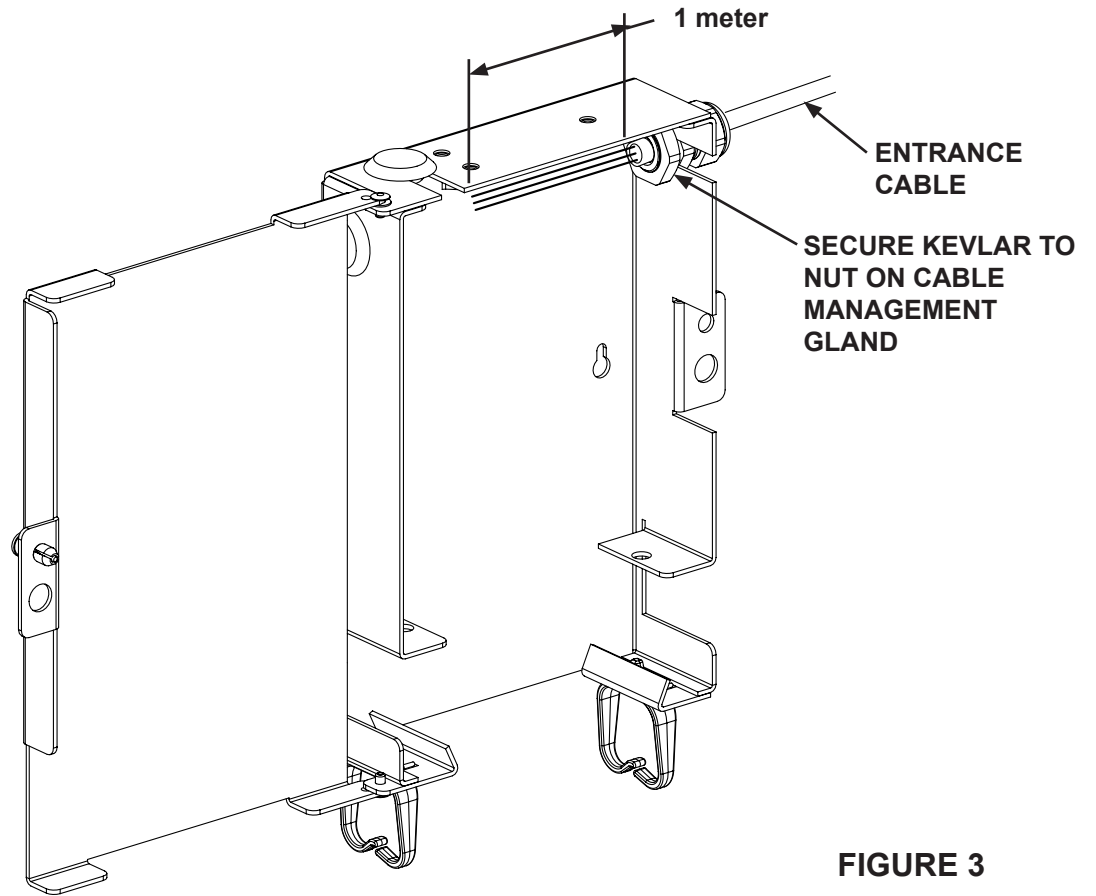


FIGURE 3

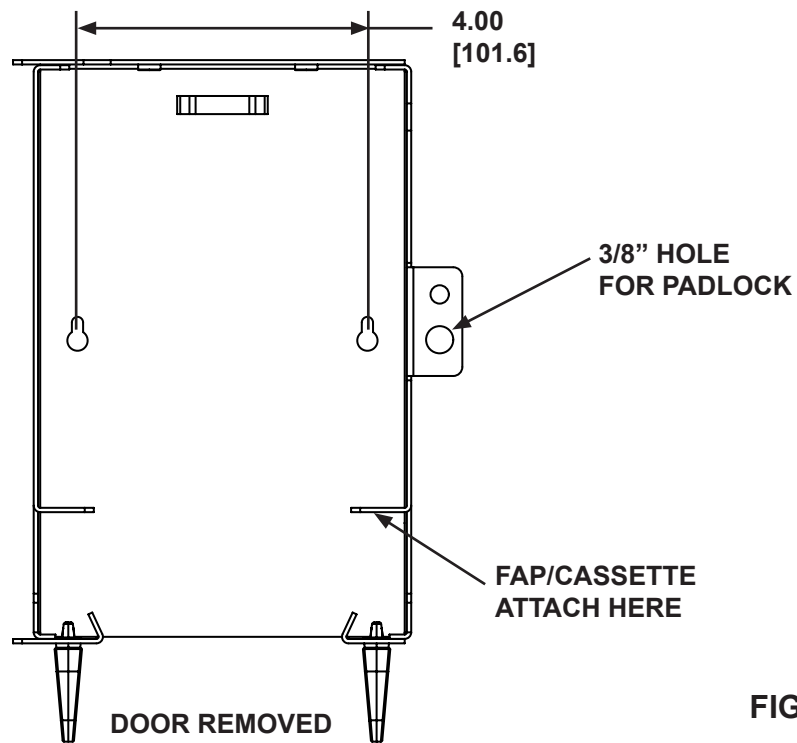


FIGURE 4