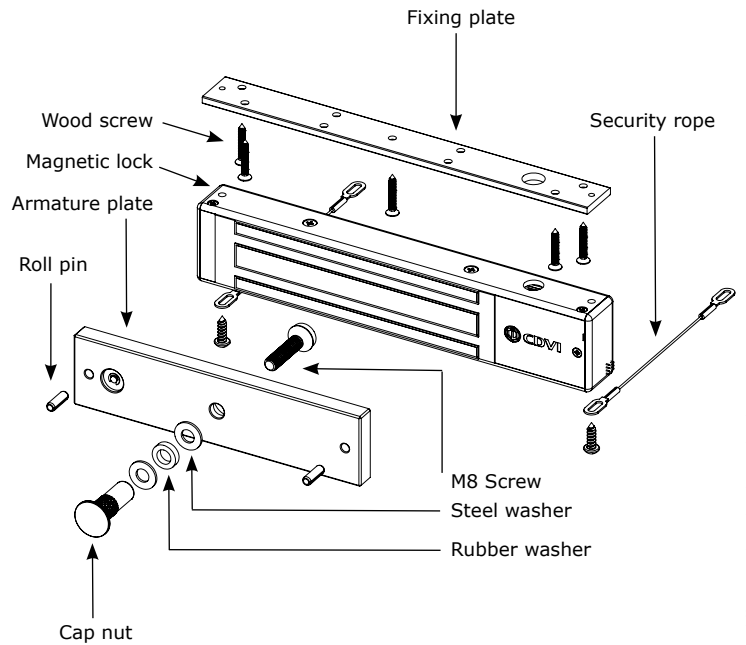


### PRODUCT PRESENTATION

- **NF S61-937**
  - **Monitored**
  - **Surface mount**
  - **High corrosion resistance**
  - **Security rope**
  - **No mechanical wear**
  - **No residual magnetism**
  - **Ease of installation**
  - **Recommended for interior use**
  - **Fail safe** (Door unlocked when power off)
  - **Holding force: 400 kg**
  - **Visual signaling** (Red = Locked ; Green = Open)
  - **Built-in varistor: built-in electronic protection to eliminate back EMF**
- **Dimensions (L x W x D): 254 x 50 x 30 mm**  
 ■ **Armature plate dimensions (L x W x D): 185 x 45 x 12 mm**  
 ■ **Power supply: 12/24V dc**  
 ■ **Consumption: 500 mA @ 12V dc**  
 ■ **250 mA @ 24V dc**

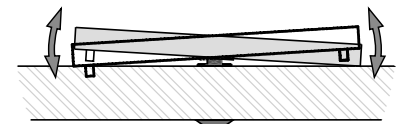


DEEE & RoHS    CE Certification CE    IP42    The V4SR is suited for the new regulations covering assistance to people with reduced mobility.

### PACKAGE CONTENT

Magnetic lock	Armature plate	Fixing plate	Security Rope	5x16 Roll pin	4X10 Screw	4x25 Wood screw
1	1	1	2	2	1	6
Steel washer	Rubber washer	M8x35 Screw	M8x25 Screw	Cap nut	Manual	
2	1	1	1	1	1	

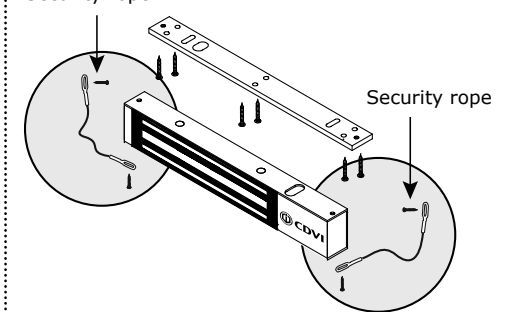
### MOUNTING RECOMMENDATIONS



#### Armature plate

- It is vital that the magnetic lock and armature plate are securely fixed to their supports.
- The magnetic lock and the armature plate must be aligned.
- The armature plate must be mounted "floating" around the central mounting screw to compensate for any misalignment of the door

#### Security rope



#### The security rope

Throughout its life, the magnetic lock is subject to an accumulation of repeated shocks and stresses at the fixing points on the frame, frequencies of opening/closing, (attempt to open a locked door and attempts at vandalism) which can cause it to become detached from the support when it is opened. In order to avoid the risk of the electronic lock block falling, install the two safety cables supplied to guarantee the safety of the users (see diagram above).

### ELECTRICAL CONNECTIONS



#### 12V dc Default setup

Terminal block	Correspondence
+	12 or 24V dc
-	0V
N.C	NC (Normally closed)
COM	COM
N.O	NO (Normally open)

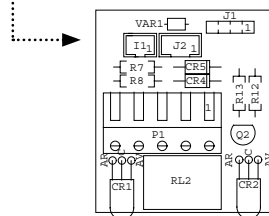
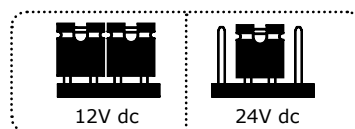
The NO/NC signal only switches when the door is closed with the power to it on.

#### IMPORTANT NOTE

- Check the jumper position before connecting the lock to the input current. A wrong position could damage the lock. This type of damage is not covered by the warranty.
- Make sure that the magnet and the armature meet evenly over their entire mating surfaces.

**The Armature plate must be able to pivot slightly about its center mounting screw to compensate for any door misalignment.**

#### Voltage selection jumpers



#### Recommended power supplies

Voltage	ADC335	ADC612S
12V	ADC335	ADC612S
24V	ADC324	ADC624S

**CDVI FRANCE + EXPORT**  
31, av. du Général Leclerc  
93500 PANTIN - France  
Phone +33 (0)1 48 91 01 02  
www.cdvi.com

**CDVI UK**  
[UNITED KINGDOM - IRELAND]  
Phone +44 (0)1628 531300  
www.cdvi.co.uk

**CDVI BENELUX**  
[BELGIUM - NETHERLAND - LUXEMBOURG]  
Phone +32 (0) 56 73 93 00  
www.cdvi.belux.com

**CDVI IBÉRICA**  
[SPAIN - PORTUGAL]  
Phone +34 (0)935 390 966  
www.cdviberica.com

**CDVI TAIWAN**  
Phone +86 (0)42471 2188  
www.cdvichina.cn

**CDVI POLSKA**  
Phone +48 12 659 23 44  
www.cdvi.com.pl

**CDVI SWEDEN**  
[SWEDEN - DENMARK - NORWAY FINLAND]  
Phone +46 (0)31 760 19 30  
www.cdvi.se

**CDVI AMERICAS**  
[CANADA - USA]  
Phone +1 (450) 682 7945  
www.cdvi.ca

**CDVI SUISSE**  
Phone +41 (0)21 882 18 41  
www.cdvi.ch

**CDVI ITALIA**  
Phone +39 0321 90 573  
Fax: +39 0321 90 8018  
www.cdvi.it

**CDVI CHINA**  
Phone +86 10 84606132/82  
www.cdvichina.cn

**CDVI GERMANY**  
+49 (0) 175 2932 901  
www.cdvi.de

**CDVI MAROC**  
Phone +212 5 2248 0940  
www.cdvi.ma

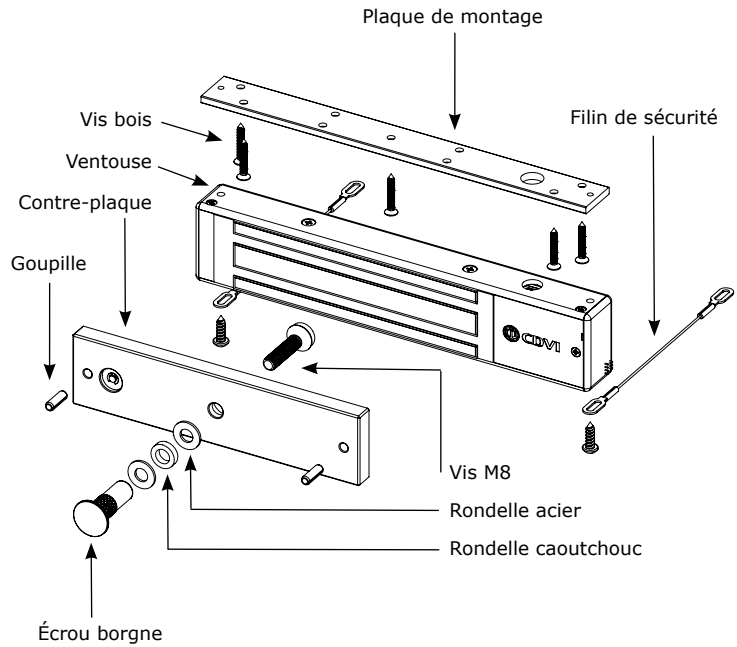
**www.cdvi.com**

**PRÉSENTATION DU PRODUIT**

- **NF S61-937**
- **Signal**
- **Montage en applique**
- **Résistance à la corrosion**
- **Filins de sécurité**
- **Pas d'usure mécanique**
- **Pas de magnétisme résiduel**
- **Facilité d'installation**
- **Préconisée en intérieur**
- **Libère instantanément l'accès en cas de coupure de courant**
- **Force de rétention : 400 kg**
- **Signalisation lumineuse (Rouge = Fermé ; Vert = Ouvert)**
- **Varistance incorporée : protection électronique intégrée contre l'effet de self**
- **Dimensions (L x l x P) : 254 x 50 x 30 mm**
- **Dimensions contre-plaque (L x l x P) : 185 x 45 x 12 mm**
- **Alimentation : 12/24V DC**
- **Consommation : 500 mA en 12V DC  
250 mA en 24V DC**



Les V4SR avec signalisation sont adaptées à la nouvelle réglementation relative aux personnes à mobilité réduite.



**ÉLÉMENTS INCLUS**

1	1	1	2	2	1	6
2	1	1	1	1	1	

**RACCORDEMENTS**

**Réglage d'usine 12V DC**

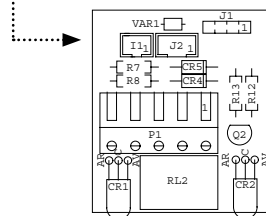
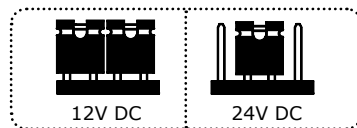
La conformité **NF S 61-937** exige une alimentation en +24V DC et l'utilisation d'un presse-étoupe pour le trou de passage du câble d'alimentation. Le presse-étoupe peut être fourni avec la référence L3L4NFS.

Bornier	Correspondance
+	12 ou 24V DC
-	0V
N.C	NF (Normalement fermé)
COM	COM
N.O	NO (Normalement ouvert)

Le signal NO/NF commute que lorsque la porte est fermée et la ventouse sous tension. Le contact NC est alors actif.

**NOTE IMPORTANTE**  
Vérifier la position du cavalier avant de brancher la ventouse à la tension d'entrée. Une position incorrecte peut endommager la ventouse. Ce type de dommage n'est pas couvert par la garantie.

**Cavaliers de sélection de tension**



**Alimentations préconisées**

Tension	ADC335	ADC612S
12V DC	ADC335	ADC612S
24V DC	ADC324	ADC624S

**CDVI FRANCE + EXPORT**  
31, av. du Général Leclerc  
93500 PANTIN - France  
Phone +33 (0)1 48 91 01 02  
www.cdvi.com

**CDVI UK**  
[UNITED KINGDOM - IRELAND]  
Phone +44 (0)1628 531300  
www.cdvi.co.uk

**CDVI BENELUX**  
[BELGIUM - NETHERLAND - LUXEMBOURG]  
Phone +32 (0) 56 73 93 00  
www.cdviBenelux.com

**CDVI IBÉRICA**  
[SPAIN - PORTUGAL]  
Phone +34 (0)935 390 966  
www.cdviberica.com

**CDVI TAIWAN**  
Phone +86 (0)42471 2188  
www.cdvichina.cn

**CDVI POLSKA**  
Phone +48 12 659 23 44  
www.cdvi.com.pl

**CDVI SWEDEN**  
[SWEDEN - DENMARK - NORWAY FINLAND]  
Phone +46 (0)31 760 19 30  
www.cdvi.se

**CDVI AMERICAS**  
[CANADA - USA]  
Phone +1 (450) 682 7945  
www.cdvi.ca

**CDVI SUISSE**  
Phone +41 (0)21 882 18 41  
www.cdvi.ch

**CDVI ITALIA**  
Phone +39 0321 90 573  
Fax: +39 0321 90 8018  
www.cdvi.it

**CDVI CHINA**  
Phone +86 10 84606132/82  
www.cdvichina.cn

**CDVI GERMANY**  
+49 (0) 175 2932 901  
www.cdvi.de

**CDVI MAROC**  
Phone +212 5 2248 0940  
www.cdvi.ma

**www.cdvi.com**