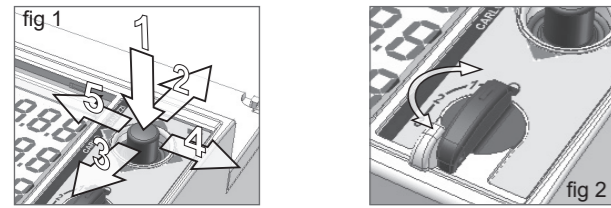


P1DIN0126HI2R2S1XX
VDE-AR-N 4105 2018-11; G98 Issue 1 – Amendment 1 16 May 2018 / G99 Issue 1 – Amendment 3 16 May 2018; Dansk Energi - Tekniske betingelser LV produktion 1.1



INSTALLATION
The PI-DIN 0126 conforms to Norm VDE-AR-N 4105 2018-11; G98 Issue 1 – Amendment 1 16 May 2018 / G99 Issue 1 – Amendment 3 16 May 2018; Dansk Energi - Tekniske betingelser LV produktion 1.1. The installation, in order to comply to the Norms, shall be carried out following this instruction manual. This device can exclusively be used as interface protection relay for LV plants. Before wiring the device it is necessary to mechanically install it on a DIN Rail.

WIRING
PI-DIN central NS protection is used to drive the interface switch between generating devices and the utility grid. The interface switch consists of two circuit breakers connected in series, hence in a redundant configuration. Each one of the two breakers shall be equipped with at least one NC auxiliary contact to be used as feedback for the Breaker operation. The wiring of the device shall be carried out taking care of the following information:

1. Install the device on a DIN Rail
2. Carry out the device wiring following the diagram shown of Fig.3 in case of Three Phase Grid connection or the diagram in Fig.4 in case of Single phase grid connection.

NOTICE EXCLUSIVELY on single phase installations connect terminals 53 to 57 by a wire jumper.

Notes:

- On all Voltage Input terminals (from #51 to # 57) use solid or stranded core wire with 0.2 to 4mm2 section 750V insulation, on all other terminals (From #1 to #43) use solid or stranded core wire 0.2 to 4mm2 section 250V insulation.

- Screw terminals must be tightened with a recommended torque between 0.4 to 0.8Nm (maximum terminal torque 1.0Nm).

- All terminals must be equipped with insulated crimped terminals before connecting

3. Connect digital input cables (interface switch feedback)
Note: use shielded cable if length exceeds 10 m.

4. Bundle the interface switch feedback wires together and then put the Ferrite, provided together with the PI-DIN, around them in order to prevent possible interferences.

5. Connect RS485 communication line using shielded cable connected to ground on the user side.

POWER SUPPLY
PI-DIN0126 is available with 2 different auxiliary power supplies:
• P1DIN0126HI2R2S1XX: input voltage 115Vac to 230Vac -20% / +15%. Consumption 7VA. Recommended fuse* 2 x T 0.16A L 250V
• P1DIN0126LI2R2S1XX: input voltage 24Vdc -20% / +20%. Consumption 2W. Recommended fuse* 2 x T 0.25A L 250V
* Both supply poles must be fused.

GENERAL DATA

- Protection degree: IP20.
- Pollution degree: 2.
- Overvoltage category: III.
- Insulation class: II.
- Operating temperature: -20 to +55°C.
- Storage temperature: -30 to +70°C.
- Relative Humidity: 10 to 90%.
- Maximum altitude: 2000m.

Note: in case of environmental conditions different from those above listed, adequate measures shall be put in place before commissioning (air conditioning).

NOTICE When pollutants are present (corrosive substances or dusts) proper filters or countermeasures shall be adopted in order to protect the unit.

SAFETY NOTES
Read carefully the present document. In case the device is used in an unspecified way, the protection might be impaired with consequent damages to personnel and / or device and installation.

General
By nature, the device is usually permanently installed. Follow these instructions to properly install the device:

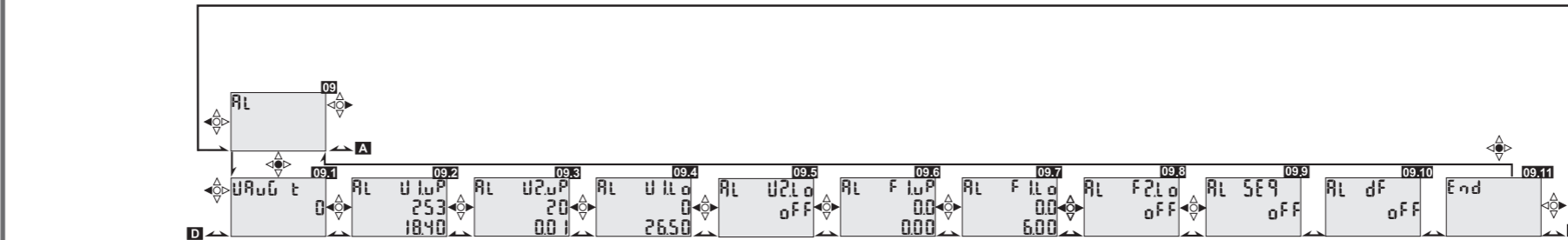
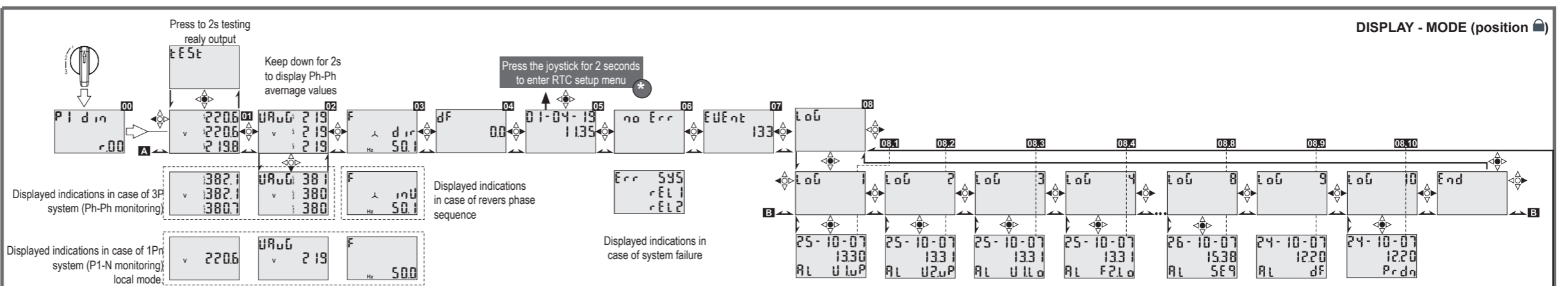
- Install a protection switch or a fuse before power supply input;
- Position a protection in a proper, dry protected and easily accessible site
- Mark the protection and identify it as "breaker for interface protection"
- Check the integrity of any conductor protection before any other action
- Check equipment ratings, operating and installation instructions before commissioning or maintenance.

Note: The PI-DIN is designed for DIN Rail installation in distribution panels or cabinets.

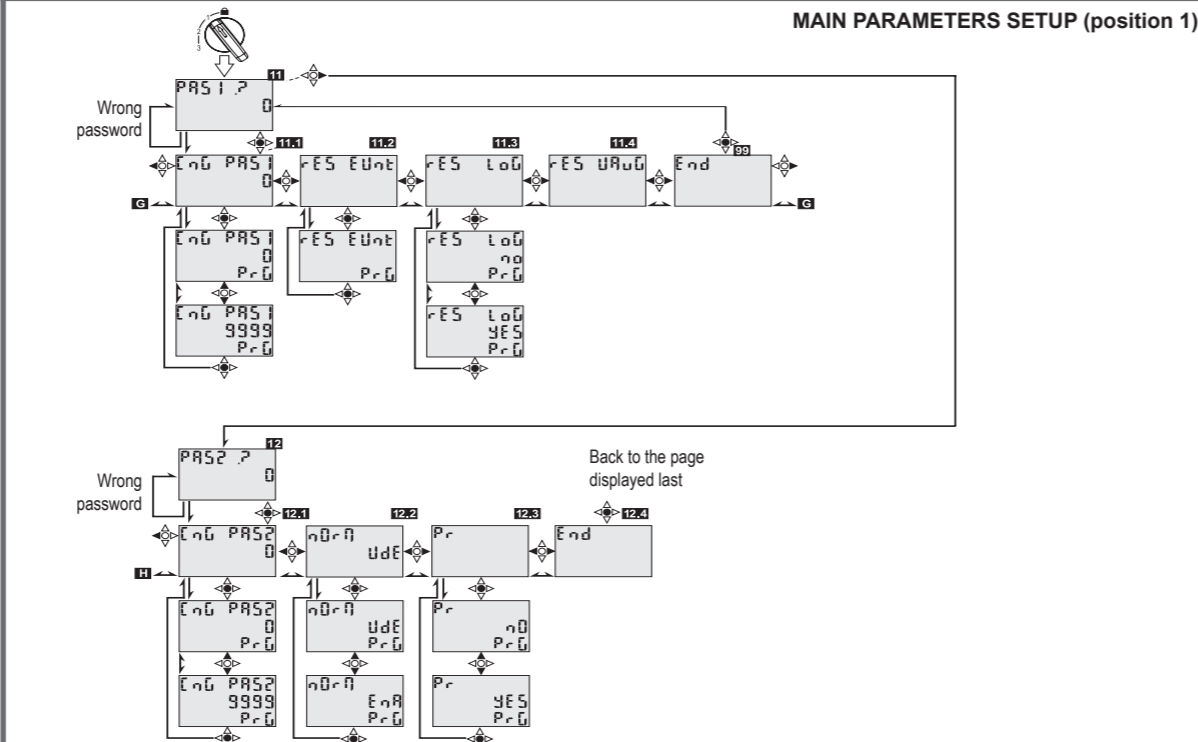
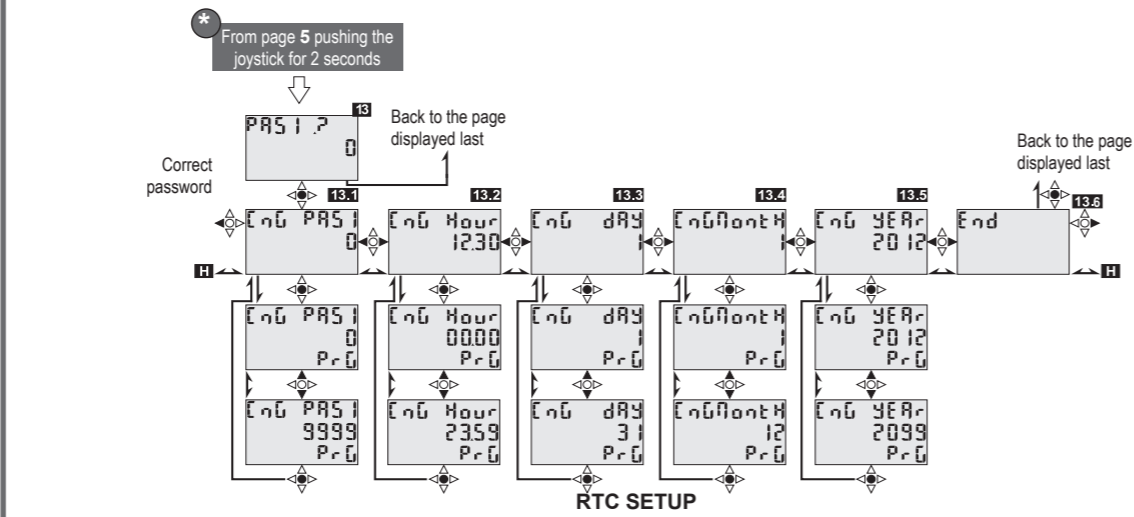
Installation
NOTICE PI-DIN shall be installed by skilled and qualified personnel; Carlo Gavazzi cannot be liable for damages arising from improper use or without following the hereby listed recommendations.

- Disconnect power before performing any operation on the device. Verify terminals are all voltage free. Be careful when touching metallic parts.
- Servicing, in case of failure, shall not be carried out. In case of evident malfunction, the device shall be returned for repair, recalibrating or replacement.

Maintenance
Note: PI-DIN does not require a particular maintenance program.
Make sure that all connections are properly made in order to avoid any malfunction or damage. To clean the device, use a damp cloth, do not use alcohol, abrasive or solvents.



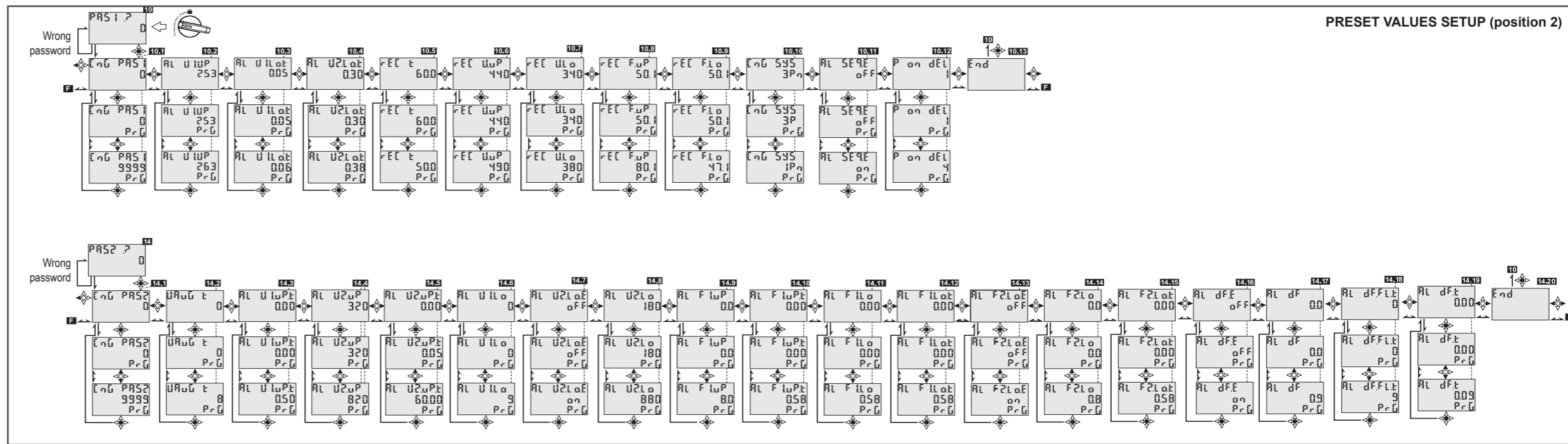
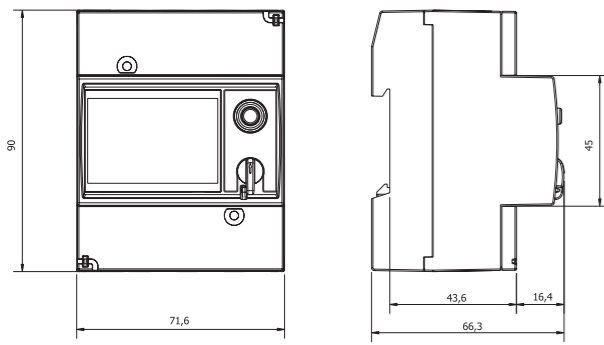
Displayed indications in case of enabled function



Integrated Protection Functions	
Code/Protection Function	Description
U<	Voltage drop level 1
U>	Voltage rise level 1
U>>	Rise in voltage protection level 2
U<<	Voltage drop level 2
f<	Frequency decrease protection
f>	Frequency increase protection
f<<	Frequency decrease protection
Al Seq	Incorrect phase sequence

Switch position	Command number	Name	Default Value	Low Limit	High Value	Menu parameter description
	00	PI-DIN				Firmware revision (shown only at power-up)
	01					Grid Voltage readings. NOTE: from here it is also possible to test the output relays operation, as provided by the VDE Norm, by pressing the Joystick inward for 2s.
	02	UAUG				Average Grid voltages displayed. When connected to a 3P+N grid it is possible to read Ph-Ph voltage by pressing joystick downward for 2s.
	03	F				Phase sequence indication and frequency. If the phase is not correct "InU" will be displayed.
	04	dF				ROCOF
	05					Date and Time. In order to enter the setting menu the joystick has to be pressed inward for 2s.
	13	PAS1?				RTC clock setting menu: can be accessed by pressing 2s joystick inward from command window number 04
	13.1	CnG PAS1	0	0	9999	Password request for RTC clock settings menu
	13.2	CnG Hour	12:30	00:00	23:59	Change password. Default password = 0, to change enter a new number from 1 to 9999
	13.3	CnG dAY	1	1	31	Hour setting
	13.4	CnG Month	1	1	12	Day setting
	13.5	CnG Year	2012	2012	2099	Month setting
	13.6	End				Year setting
	06	Err				Menu exit
	07	EVEnt				Failure detection: SYS=hardware problem; rEL 1=feedback relay 1 problem; rEL 2=feedback relay 2 problem
						Number of logged events
	08					Logged events list menu
	8.1	LoG1				Date, time and type of event.
	8.2	LoG2				
	8.3	LoG3				
	8.4	LoG4				AL U1.uP: Rise in voltage protection U> and minimum operating time in seconds
	8.5	LoG5				AL U2.uP: Rise in voltage protection U>> and minimum operating time in seconds
	8.6	LoG6				AL U1.Lo: Voltage drop protection U< and minimum operating time in seconds
	8.7	LoG7				AL U2.Lo: Voltage drop protection U<< and minimum operating time in seconds
	8.8	LoG8				AL F1.uP: Frequency increase protection f> and minimum operating time in seconds
	8.9	LoG9				AL F1.Lo: Frequency decrease protection f< and minimum operating time in seconds
	8.10	LoG10				AL F2.Lo: Frequency decrease protection f<< and minimum operating time in seconds
						AL SEq: Phase sequence detection enabling status
						AL dF: Rocof anti-islanding enabling status and setpoint
						Prdn: powerdown
	09					Alarm tripping values display
	9.1	UAUG t				Average grid voltage averaging time in minutes (0 = averaging disabled)
	9.2	AL U1.uP				Rise in voltage protection U> and minimum operating time in seconds
	9.3	AL U2.uP				Rise in voltage protection U>> and minimum operating time in seconds
	9.4	AL U1.Lo				Voltage drop protection U< and minimum operating time in seconds
	9.5	AL U2.Lo				Voltage drop protection U<< and minimum operating time in seconds
	9.6	AL F1.uP				Frequency increase protection f> and minimum operating time in seconds
	9.7	AL F1.Lo				Frequency decrease protection f< and minimum operating time in seconds
	9.8	AL F2.Lo				Frequency decrease protection f<< and minimum operating time in seconds
	9.9	AL SEq				Phase sequence detection enabling status
	9.10	AL dF				Rocof anti-islanding enabling status and setpoint
	9.11	End				Menu exit
	11					Grid type selection log registers reset menu
	11.1	CnG PAS1	0	0	9999	Change password. Default password = 0, to change enter a new number from 1 to 9999
	11.2	rES EVnt		no	YES	Reset all stored events Yes/No
	11.3	rES LoG		no	YES	Reset all logged values Yes/No
	11.4	rES UAUG		no	YES	Reset the calculation of the average voltage
	11.5	End				Menu exit
	12	PAS2?				
	12.1	CnG PAS2				Change password. Default password = 0, to change enter a new number from 0 to 9999
	12.2	nOrM				Norm used for the protection interface default values: Vde, Ena, Dan
	12.3	Pr				Command for load the protection interface default values relative to the norm configured in nOrM
	12.4	End				Menu exit

switch position 2 and 3 on the next page.



PROGRAM SETTINGS
 On the PI-DIN front panel there are a joystick (fig. 1) and a 4 positions rotary switch (fig. 2) to be used for the navigation in the menu and for data selection or modification. The rotary switch allows, password protected, the access to different menus with different functions according to the position on which is set. The joystick provides 4 positions: Up, down, left and right. If pressed in the central position the settings are confirmed (ENTER). In order to properly navigate the menus, look at the flow charts.

Position of switch and functions
 The different positions of the rotary switch allow to read and/or modify the device parameters. Positions 1, 2 and 3 can only be accessed by removing the seal if present, furthermore they are password protected. Default password is 0, once accessed it is possible to change the password with any value up to 9999 (make sure of keeping record of the entered password, if password is lost it is not possible to enter the programming menu anymore. If restoring is necessary the device has to be sent to Carlo Gavazzi assistance service).

Position: LOCK
 This is the normal operating position. In this position the joystick is used to scroll the instantaneous values, date and time, events, errors and alarms. It is also possible to set the date/time and modify PAS1.

Position: 1
 In this position the joystick is used to

- Reset events, data log and average voltage
- Select the approval to comply with.
- Modify PAS1 and PAS2

Position 2:
 In this position the joystick is used to

- Modify the preset values for the interface protection function
- Activate or deactivate the phase sequence detection.
- Modify PAS1 and PAS2

Position 3:
 In this position the joystick is used to

- Change serial communication parameters setting
- Modify PAS1

HOW TO PROGRAM THE PIDIN
 1. Set the rotary switch in position 1
 2. Select PAS2? and set a new password to avoid unauthorized modifications
 3. Select the approval to comply with (page nOrM)

- Select YES in the page Pr to apply the defaults to all parameters available in position 2
- Set the rotary switch in position 2
- Adjust the parameters according to the installation (e.g. System) and other requirements.
- Select End to apply changes
- Set the rotary switch in position 3 to set the communication parameters

Dispose of the battery together with the device. The embedded metal-ion battery of this product must be removed exclusively by specialised personnel to be correctly disposed of.

Integrated Protection Functions	
Code/Protection Function	Description
U<	Voltage drop level 1
U>	Voltage rise level 1
U>>	Rise in voltage protection level 2
U<<	Voltage drop level 2
f<	Frequency decrease protection
f>	Frequency increase protection
f<<	Frequency decrease protection
AI Seq	Incorrect phase sequence
ROCOF	Derivative frequency
rEC	Recovery

OUTPUT RELAYS TEST: In order to perform the output relays test, the joystick has to be pressed for 2 seconds (see figure), when page 01 is shown in the LOCK position. The output relays will trigger. In case of failure of one of the relays, the LED will turn on.

MAINTENANCE AND DISPOSAL
Responsibility for disposal
 The product must be disposed of at the relative recycling centers specified by the government or local public authorities. Correct disposal and recycling will contribute to the prevention of potentially harmful consequences to the environment and persons.

CAUTION! Toxic substances. Environmental pollution and hazard. Intoxication.

TERMINALS POSITION AND FERRITE MOUNTING

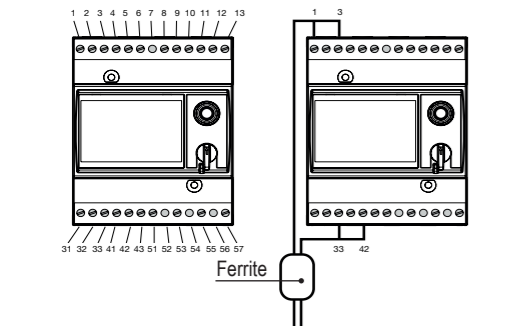


Fig. 1

THREE PHASE SYSTEM DIAGRAM 3P+N, 3P

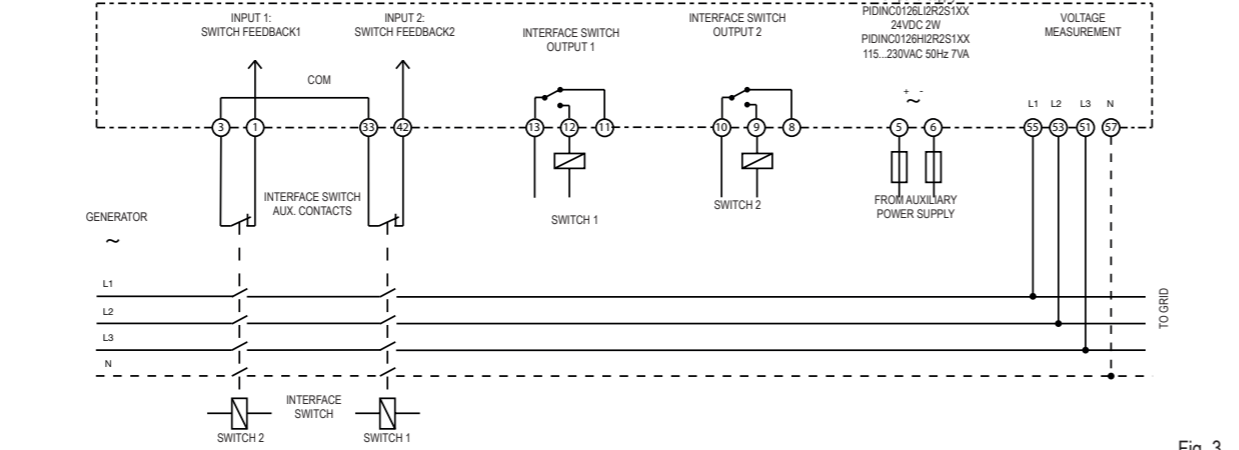


Fig. 3

PINOUT

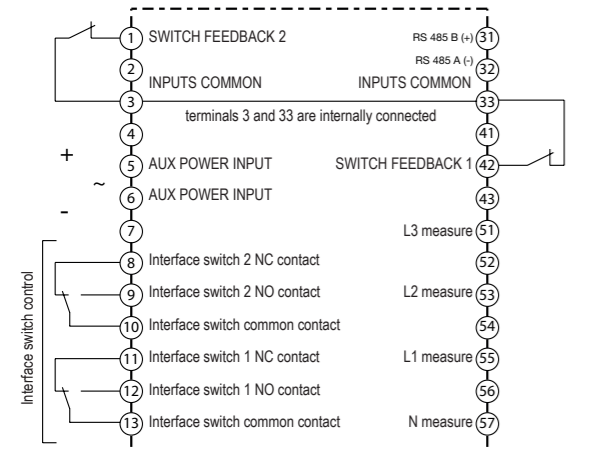


Fig. 2

SINGLE PHASE SYSTEM DIAGRAM

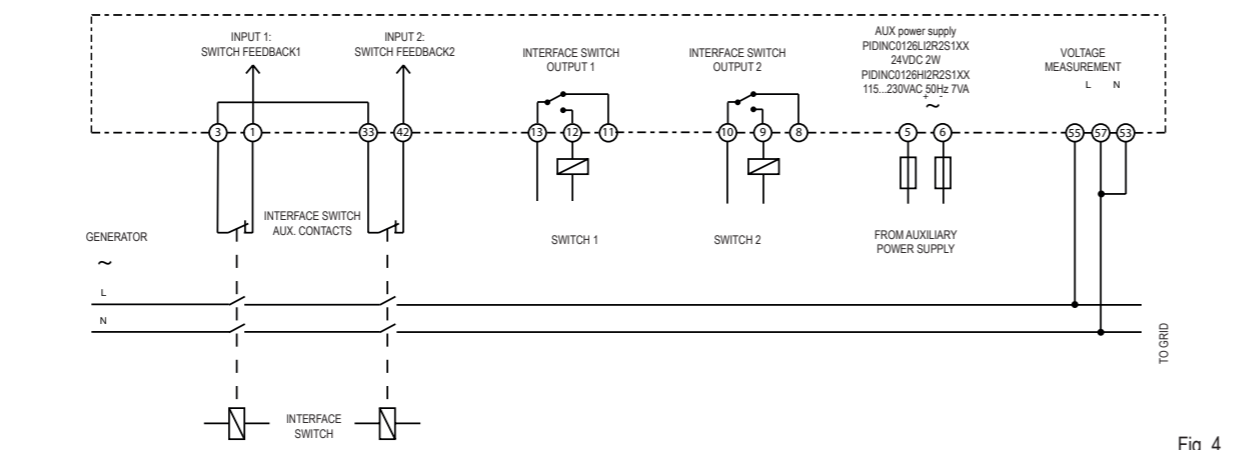
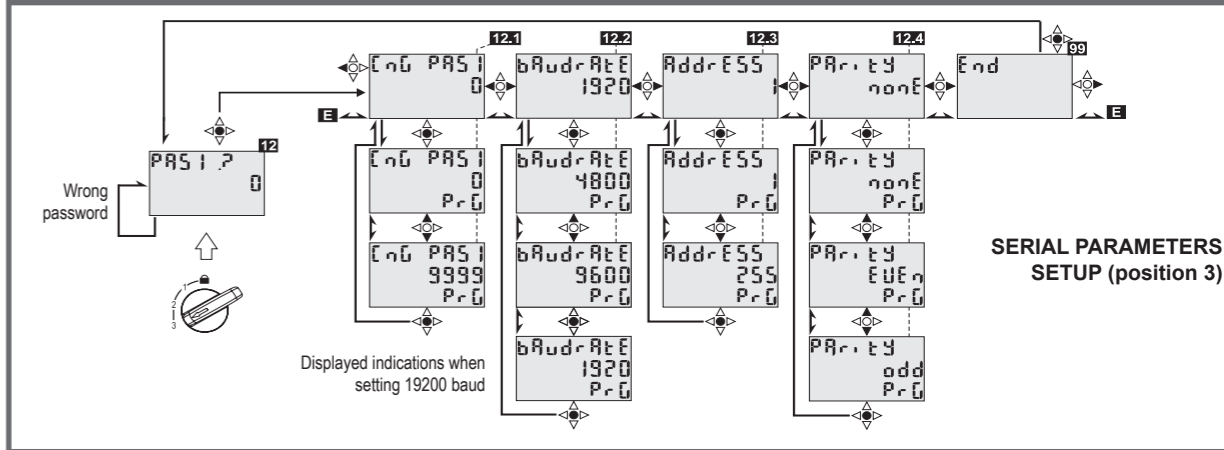


Fig. 4

Command number	Name	Default Value	Low Limit	High Value	Menu parameter description
10.1	CnG PAS1				Change password. Default password = 0. To change it, enter a new number from 1 to 9999
10.2	AL U1.uP		253	265	Voltage increase protection U> setpoint absolute VAC value
10.3	AL U1.Lo.t		0.05	60	Voltage decrease protection U< minimum operating time in seconds
10.4	AL U2.Lo.t		0.05	60	Voltage decrease protection U<< minimum operating time in seconds
10.5	rEC.t		0.1	600	Recovery time in seconds
10.6	rEC U.uP		230	265	Recovery condition for voltage, upper limit in VAC
10.7	rEC U.Lo		184	230	Recovery condition for voltage, lower limit in VAC
10.8	rEC F.uP		50.0	55.0	Recovery condition for frequency, upper limit in Hz
10.9	rEC F.Lo		45.0	50.0	Recovery condition for frequency, lower limit in Hz
10.10	CnG SYS				Type of grid connection to be monitored: 3P+N ; 3P ; 1P. Once it has been changed, the default values will be loaded
10.11	AL Seq.E				Phase sequence detection Enabling
10.12	P.on dEL	20	1	600	Power Up delay in seconds
10.13	End				Exit and save
14.1	PAS2?				
14.2	CnG PAS2	0	0	9999	Change password. Default password = 0, to change enter a new number from 1 to 9999
14.3	UAuG.t		0	10	
14.4	AL U1.uP.t		0.05	60	Voltage increase protection U> minimum operating time in seconds
14.5	AL U2.uP		230	299	Voltage increase protection U>> setpoint absolute VAC value
14.6	AL U2.uP.t		0.05	60	Voltage increase protection U>> minimum operating time in seconds
14.7	AL U1.Lo		184	230	Voltage decrease protection U< setpoint absolute VAC value
14.8	AL U2.Lo.E		92	230	Voltage decrease protection U<< enable Yes/No
14.9	AL U2.Lo		160	400	Voltage decrease protection U<< setpoint absolute VAC value
14.10	AL F1.uP		50.0	55.0	Frequency increase protection F> setpoint in Hz
14.11	AL F1.uP.t		0.05	60	Frequency increase protection F> minimum operating time in seconds
14.12	AL F1.Lo		45.0	50.0	Frequency decrease protection f< setpoint in Hz
14.13	AL F1.Lo.t		0.05	60	Frequency decrease protection f< minimum operating time in seconds
14.14	AL F2.Lo.E				Frequency decrease protection f<< enable Yes/No
14.15	AL F2.Lo		45.5	50.5	Frequency decrease protection f<< setpoint in Hz
14.16	AL F2.Lo.t		0.05	60	Frequency decrease protection f<< minimum operating time in seconds
14.17	AL dFE				ROCOF passive anti-islanding detection, enable Yes/No
14.18	AL dF		0.2	10	ROCOF passive anti-islanding detection, setpoint expressed in Hz
14.19	AL dF.t		1	16	ROCOF passive anti-islanding detection, measure filter coefficient
14.20	AL dF.t		0.05	60	ROCOF passive anti-islanding detection, minimum operating time in seconds
14.20	End				Exit and save
Communication port settings					
12.1	PAS1?				Password request for communication port settings
12.2	CnG PAS1	0	0	9999	Change password. Default password = 0, to change enter a new number from 1 to 9999
12.3	bAudrAIE	1920	1920	4800	RS485 communication Baudrate. 1920 stands for 19200 baud.
12.4	AddrESS	1	1	255	Device address on the RS485 communication line.
12.5	PARtY	nonE	EvEn	odd	Even/Odd communication parity
12.5	End				Menu exit

Switch position 2

3



SERIAL PARAMETERS SETUP (position 3)