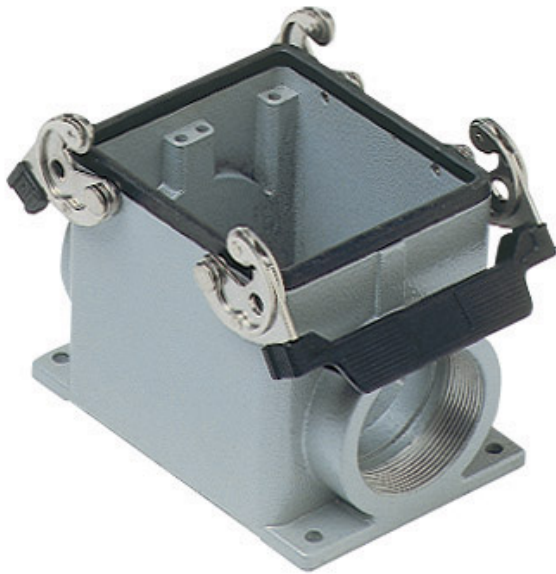


Part number

# MHP 32.40



Surface mounting housing, C-TYPE series, with 2 levers, M40 cable entry, size "77.62"

Product description		Material properties	
<b>Product type</b>	Surface mounting housing	<b>Other materials</b>	Lever: Stainless steel, polyamide (PA) Gasket: NBR
<b>Series</b>	C-TYPE	<b>Colour</b>	RAL 7040 grey
<b>Closing type</b>	With 2 levers	<b>RoHs conformity</b>	Compliant
<b>Size</b>	Size 77.62	<b>China RoHs - EFUP</b>	E
<b>Cable entry</b>	With cable entry M40	<b>REACH SVHC substances</b>	No
Technical data		Approvals / Standards	
<b>IP degree of protection</b>	IP65 / IP66 / IP69	<b>Certifications</b>	DNV, BV
Further technical details		<b>UL</b>	ECBT2
<b>Weight</b>	832,00 g	<b>cUL</b>	ECBT8
<b>Operating temperature range (min, max)</b>	-40°C...+125°C	General ordering information	
		<b>EAN13 code</b>	8015747055093
		<b>eCl@ss 8.1</b>	27440202
		<b>ETIM 7.0</b>	EC000437
		Packaging Information	
		<b>Packaging length</b>	475,00 mm
		<b>Packaging height</b>	200,00 mm
		<b>Packaging width</b>	150,00 mm
		<b>Packaging weight</b>	3,85 kg
		<b>Packaging volume</b>	14,25 dm <sup>3</sup>
		<b>Packaging description</b>	Carton box
		<b>Packaging quantity</b>	4 Pcs
		<b>Packaging EAN code</b>	8015747211222
		<b>Sub-packaging length</b>	116,00 mm
		<b>Sub-packaging height</b>	113,00 mm
		<b>Sub-packaging width</b>	142,00 mm
		<b>Sub-packaging weight</b>	0,96 kg
		<b>Sub-packaging volume</b>	1,86 dm <sup>3</sup>
		<b>Sub-packaging description</b>	Plastic packaging
		<b>Sub-packaging quantity</b>	1 Pcs
		<b>Sub-packaging EAN barcode</b>	8015747127226

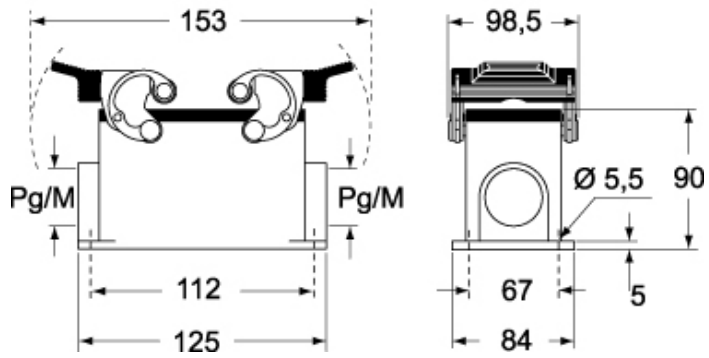
Part number

# MHP 32.40



Catalogue drawings

**CHP - MHP**



## Notes

Dimensions shown in mm are not binding and may be changed without notice.