

2

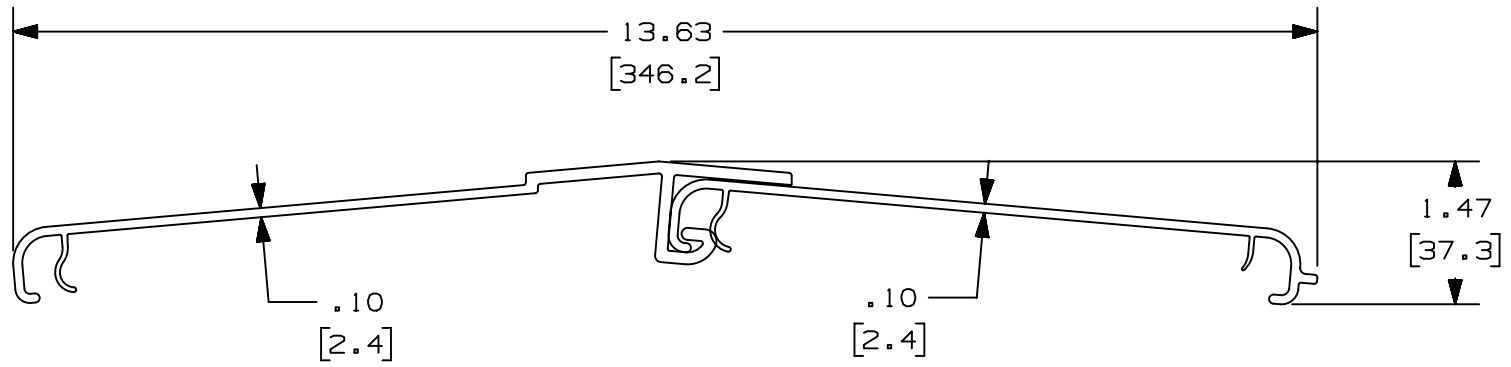
1

THIS COPY IS PROVIDED ON A RESTRICTED BASIS AND IS NOT TO BE USED IN ANY WAY DETRIMENTAL TO THE INTERESTS OF PANDUIT CORP.

PANDUIT PART NUMBER	LENGTH	WEIGHT	WEIGHT/LENGTH
FRHC12L**2 (SEE NOTE 1)	78.74 IN ±.36 IN (2000.0mm ±9.1mm)	8.3 LB (3765g)	1.27 LB/FT (18.9g/cm)
FRHC12L**6 (SEE NOTE 1)	72.00 IN ±.36 IN (1828.8mm ±9.1mm)	7.6 LB (3447g)	1.27 LB/FT (18.9g/cm)
FRHC12L**3 (SEE NOTE 1)	118.11 IN ±.36 IN (3000.0 mm ±9.1 mm)	12.5 LB (5670g)	1.27 LB/FT (18.9g/cm)

**NOTES:**

- SEE CURRENT CATALOG FOR ADDITIONAL PART SUFFIXES TO INDICATE COLOR AND/OR PACKAGE QUANTITY.
- DIMENSIONS IN PARENTHESES ARE IN METRIC.



REV	DATE	BY	CHK	APR	DESCRIPTION	ECN
01A	5/5/2021	MES	PATR	PATR	ADDED PART NUMBER FRHC12L**3	V09002MM/00
00A	11-21-19	MES	DWR	DWR	RELEASED TO PRODUCTION	V09002DZ/00

<b>TITLE</b> LOW SMOKE ZERO HALOGEN FIBERRUNNER 12x4 SNAP-ON HINGED COVER (FRHC12L**2, FRHC12L**6, FRHC12L**3) CUSTOMER DRAWING					
ITEM REVISION NAME 00478EAB/01					
DATASET FILE NAME 00478EAB_DC_FRHC12L/01A					
UNLESS OTHERWISE SPECIFIED, DIMENSIONAL TOLERANCES ARE: IN [ mm ] .X ± .03 [ .8 ]      .XXX ± .XX ± .03 [ .8 ]      ANGLES ±	MATERIAL: PC				
THIRD ANGLE PROJECTION	DRAWING NUMBER: 00478EAB-DC				
DRAWN BY MES	DATE 11-21-19	CHK DWR	SCALE NONE	SHT 1 OF 1	SIZE A

2

1

D10100DA/15