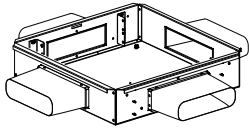


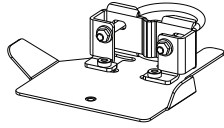
### INSTRUCTIONS CM469D

© Panduit Corp. 2014

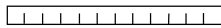
The following items are included with PZRFE4/8/12



(1) Enclosure with  
(4) Grommet Sleeves



(4) Support Brackets, with  
Washers and Nuts



(1) Magnetic Ruler



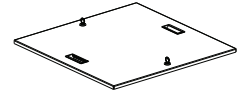
(4) Bonding Bolts

#### Required Tools

\*10mm Socket  
\*7/16" Socket

Optional Components: PZRFC

(1) Set of Keys



(1) Lockable Enclosure Cover

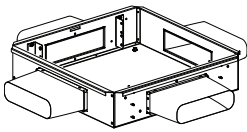
#### Mounting Depth Table

Distance from bottom of pedestal head plate to top of mounting brackets.

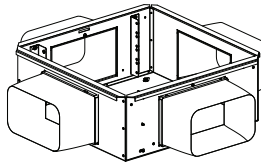
Part Number	PZRFE4U	PZRFE8U	PZRFE12U
Mounting Bracket Depth Below Floor	5"	8.5"	12"
With Optional Cover	7"	10.5"	14"
Enclosure Load Rating	18 lb	36 lb	54 lb

(+ .25" Tolerance)

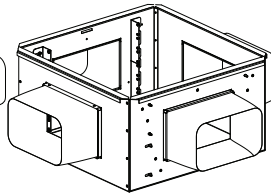
PZRFE4U



PZRFE8U



PZRFE12U



## Installation:

1. Select the installation location ensuring there are no obstacles to interfere with the installation.
2. Mount the four support brackets under the enclosure by placing one on each pedestal mount bracket by attaching the U-bolt and nut around the pedestal (See Figure 2.1). Refer to Figures 4.1 through 4.3 for adjustment to various pedestal sizes. Use the magnetic ruler to measure the correct mounting location for each support bracket. Point them towards the center making a cross from the corners (See Figure 2.2). Ensure that the plate is allowed to pivot from side-to-side. **Note:** If Grid Runner is placed above pedestal plate, then the mounting assembly must be removed from plate and reconnected with the mounting assembly under the pedestal plate (See Figure 2.3).
3. Push CoolBoot Assemblies inside enclosure (See Figure 3.1) and then insert the enclosure in the desired floor tile.

Figure 2.1

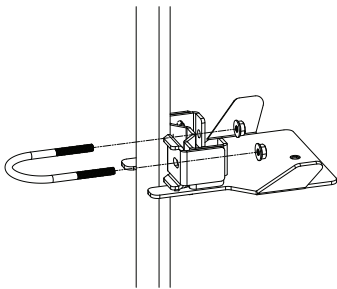


Figure 2.2

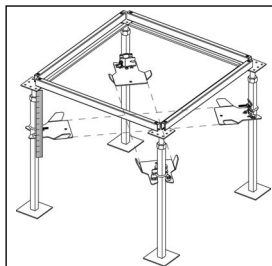


Figure 3.1

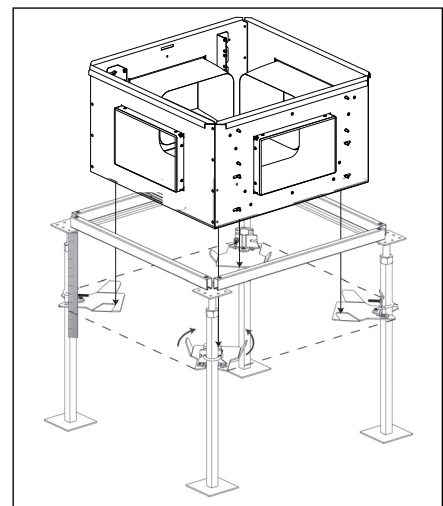
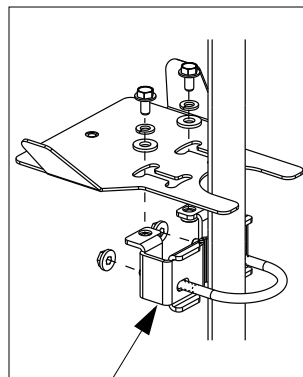


Figure 2.3



Mounting assembly connected  
under pedestal mount plate.

## Installation of Pedestal Mount Assembly to Various Pedestal Sizes:

4. The PZRFE\*U may be mounted to 7/8" square or up to 2" diameter round pedestals by adjusting the engagement of the U-Bolt.

7/8" square pedestal

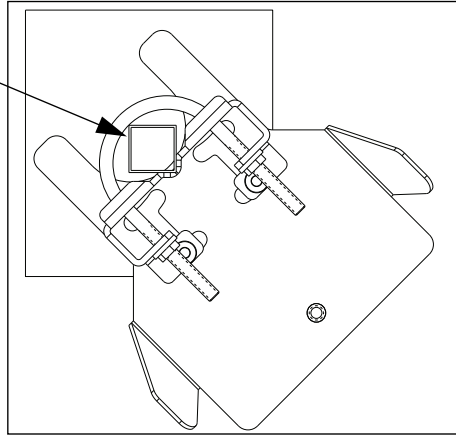


Figure 4.1

1 1/2" diameter pedestal

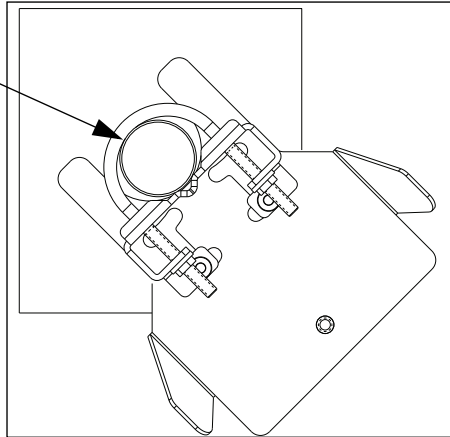


Figure 4.2

2" diameter pedestal

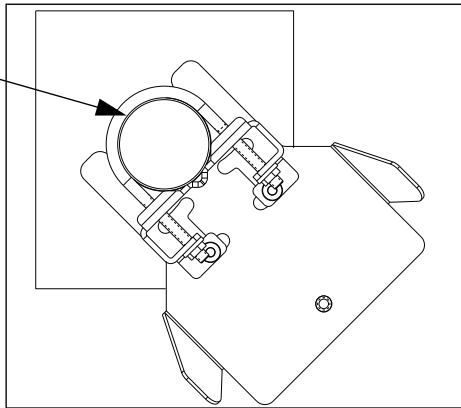


Figure 4.3

## Installation continued:

5. Angle one side of the enclosure lower than the other to engage two pedestal mounting brackets. Then rock the enclosure clockwise and counter clockwise while lowering the opposite side on the pedestal mounting brackets to manually align the four corners and mounting hole locations (See Figure 5.1 & 5.2).

6. Once all four corners and mounting holes are aligned in the correct orientation (See Figure 6.1), fasten the enclosure to the pedestal mounting brackets using the supplied M6 X 12mm bonding bolts (See Figure 6.2).

Figure 5.1

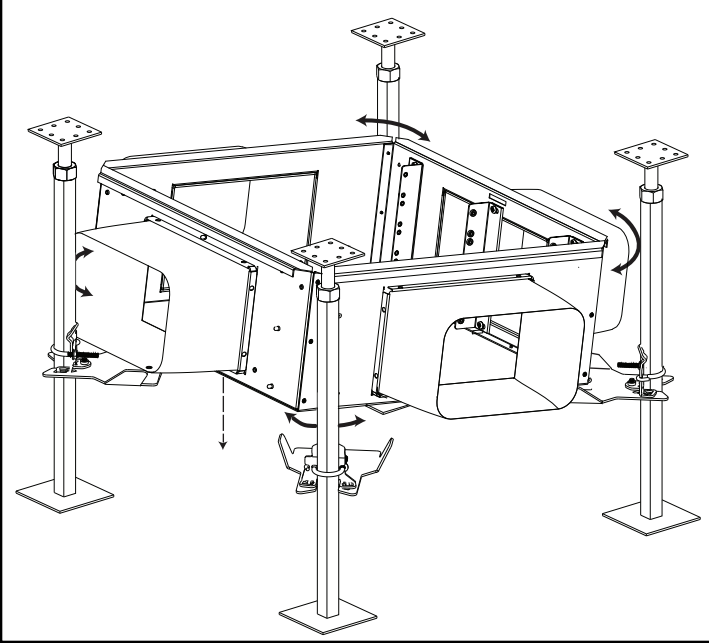


Figure 5.2

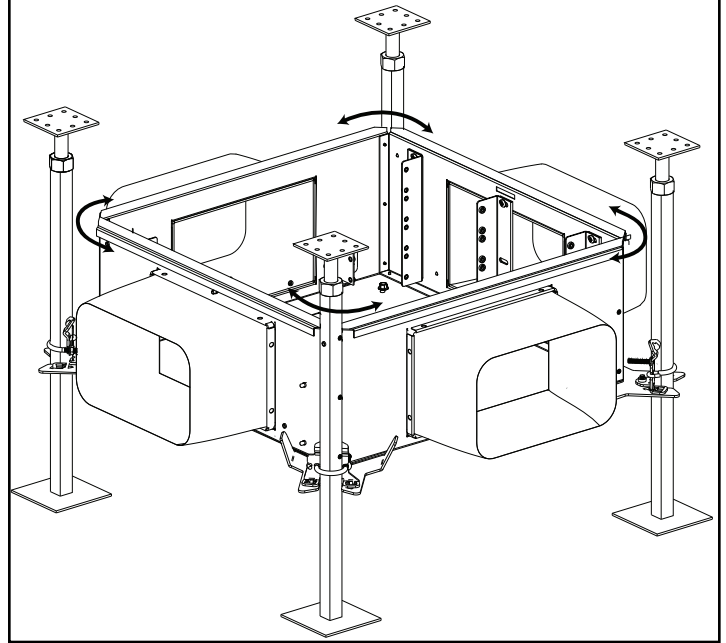


Figure 6.1

Top View

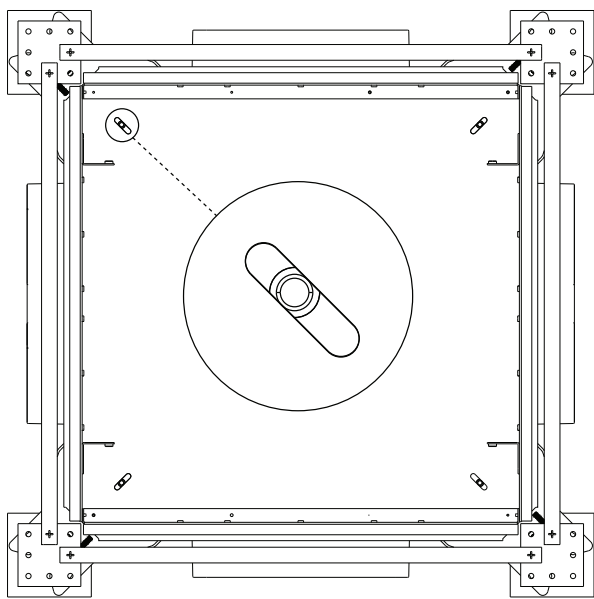
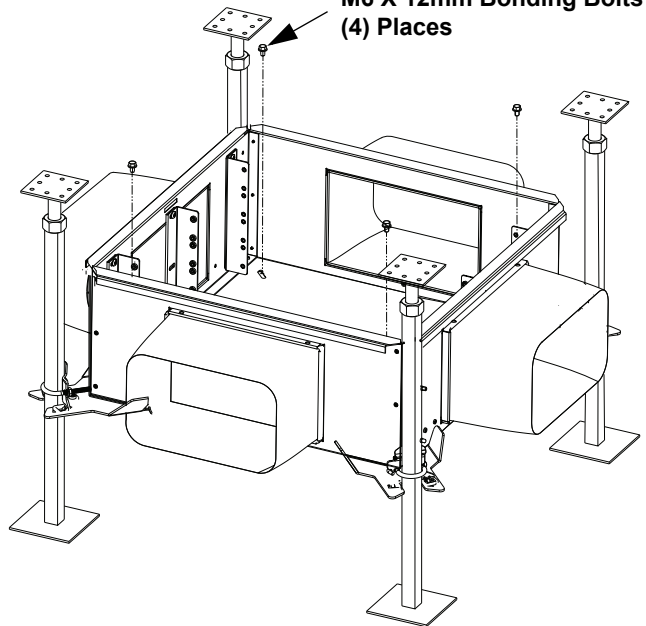


Figure 6.2

M6 X 12mm Bonding Bolts  
(4) Places



## Installation continued:

7. Each enclosure can accommodate both field terminated or pre-terminated connectivity. If using field terminated connectivity leave TIA/EIA 19" mounting brackets as factory installed or remove center mounting bracket (See Figure 7.1 and 7.2). If using pre-terminated connectivity (example: cassettes, enclosures) remove TIA/EIA 19" mounting brackets and relocate to the center of the enclosure (See Figure 7.3).

Figure 7.1

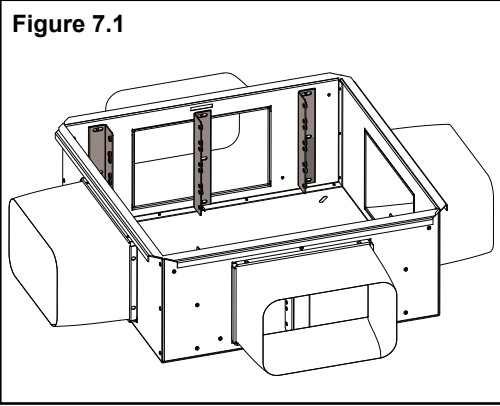


Figure 7.2

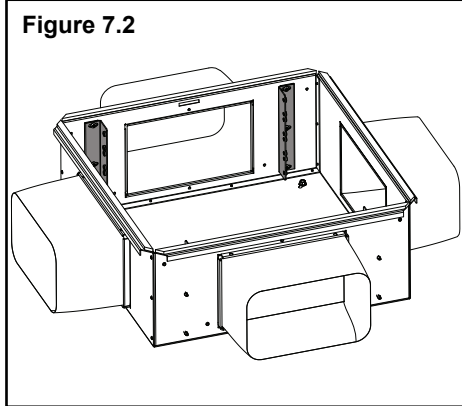
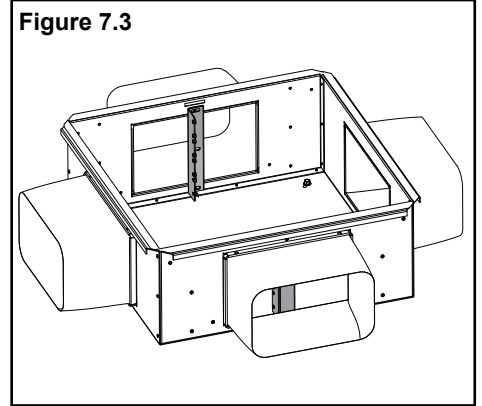


Figure 7.3

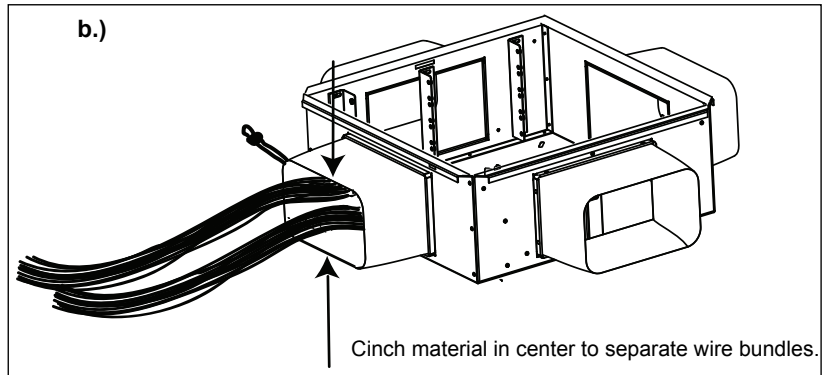
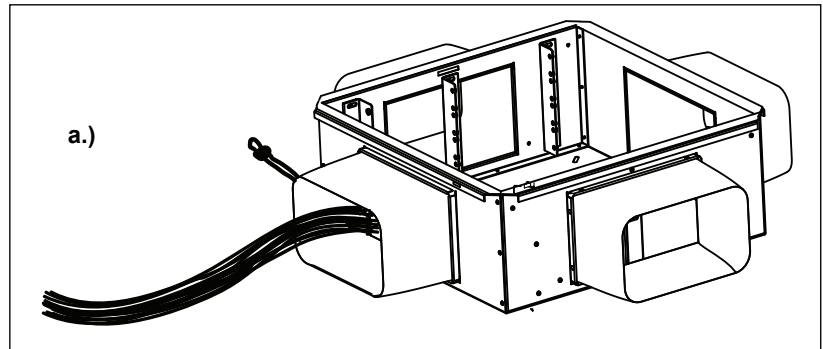
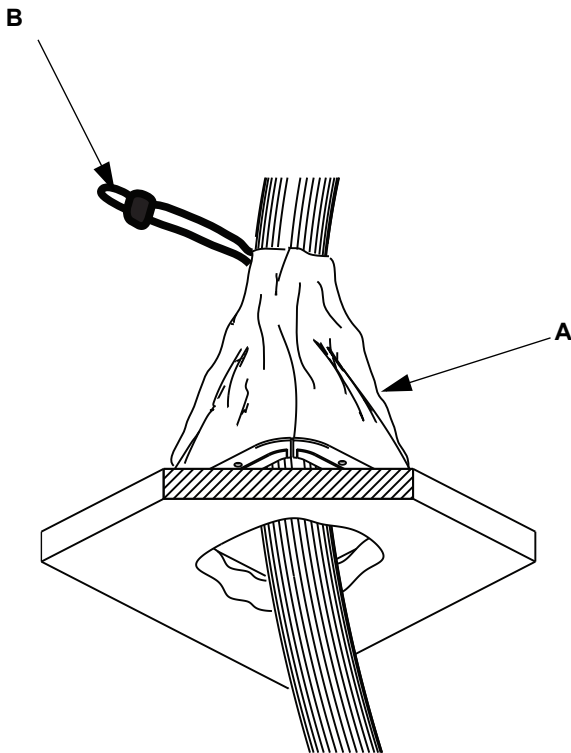


**Note:** Install all cabling in accordance with NEC article 300.22 and Article 800.

## Cool Boot Application

### Parts List:

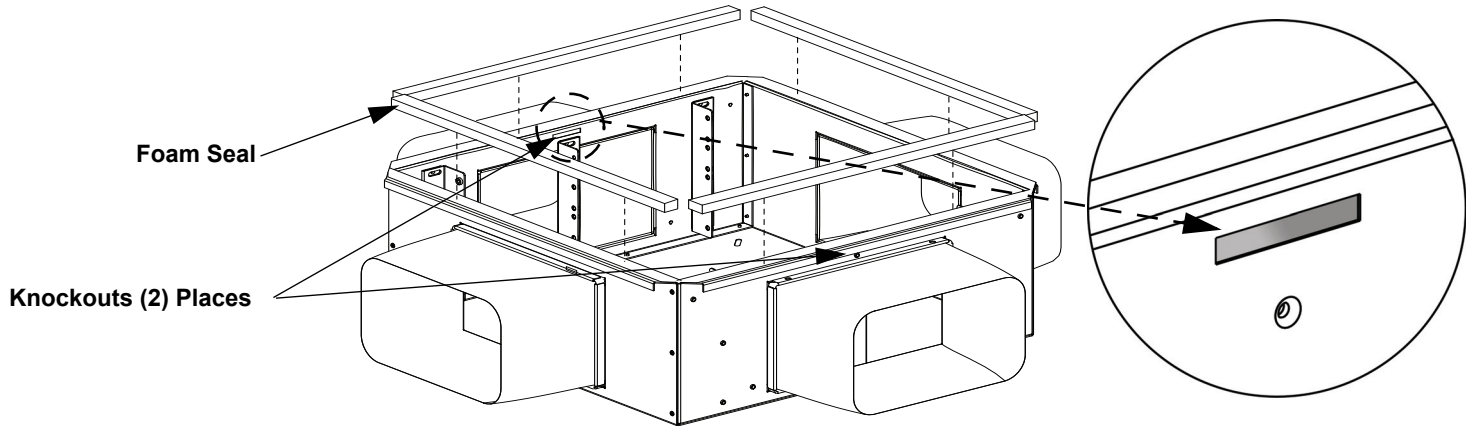
(A) - Fabric & (B) - Hook and loop cinch tie



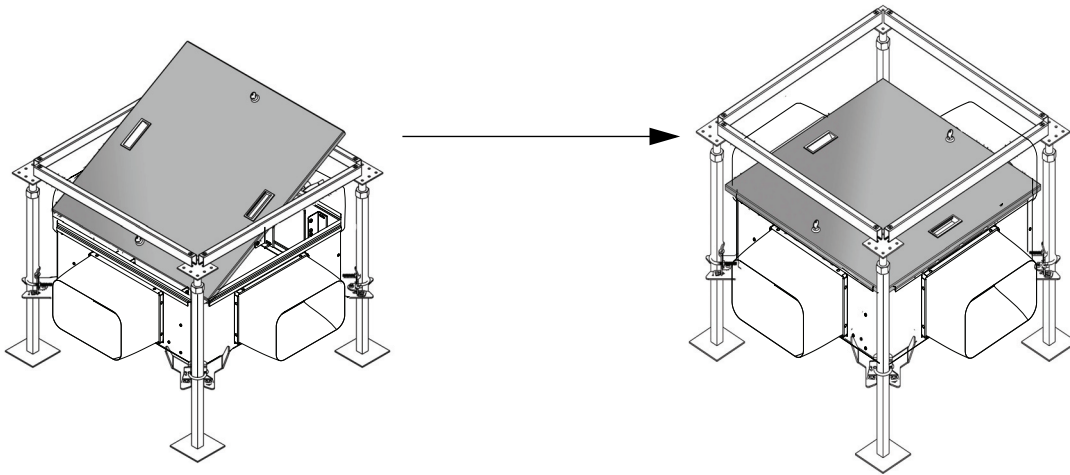
## Optional: PanZone Raised Floor Enclosure Cover (PZRFC)

### Enclosure's Cover Installation:

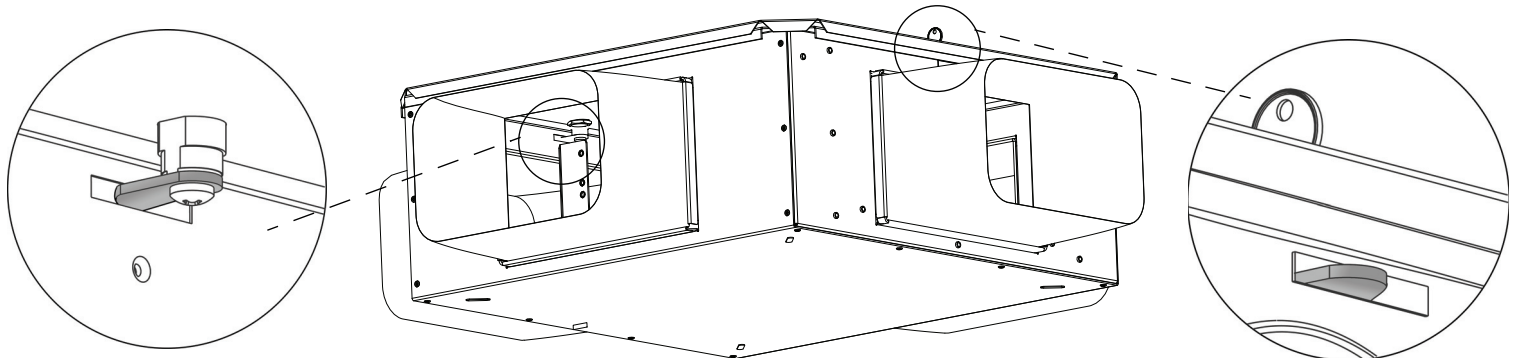
- 8 Remove the two knockout tabs located at the top of the enclosure to allow access for the cover's locking mechanism. Attach Adhesive Foam Seal to the top of the enclosure as shown in **Figure 8**.



- 9 Once the knockouts have been successfully removed, drop the cover



- 10 The cover's locking mechanism tabs should be aligned in the knockout geometry as shown in **Figure 10**.



For Instructions in Local Languages  
and Technical Support:

[www.panduit.com/resources/install\\_maintain.asp](http://www.panduit.com/resources/install_maintain.asp)

**PANDUIT**

[www.panduit.com](http://www.panduit.com)

E-mail:  
tech.support@panduit.com

Fax:  
(866)405-6654

This page intentionally left blank.