

## TECHNICAL DATA

Product type	Waterproof socket
Product NO.	SAC3FPX

### SAC3FPX Product Appearance



### Product features

- Quick, simple locking system
- Connect reliably
- Small size of product

## Technical parameters

### 1. Electrical parameters

Contacts NO.	2+PE
Rated current	16A
Rated voltage	250V AC
Contact resistance	$\leq 5\text{m}\Omega$
Dielectric strength	4000V DC
Insulation resistance	$> 1000\text{M}\Omega$

### 2. Mechanical parameters

Service life	$> 1000$
Power lin	$2.5\text{mm}^2(12\text{AWG})$
Solderability	Complies with IEC 68-2-20

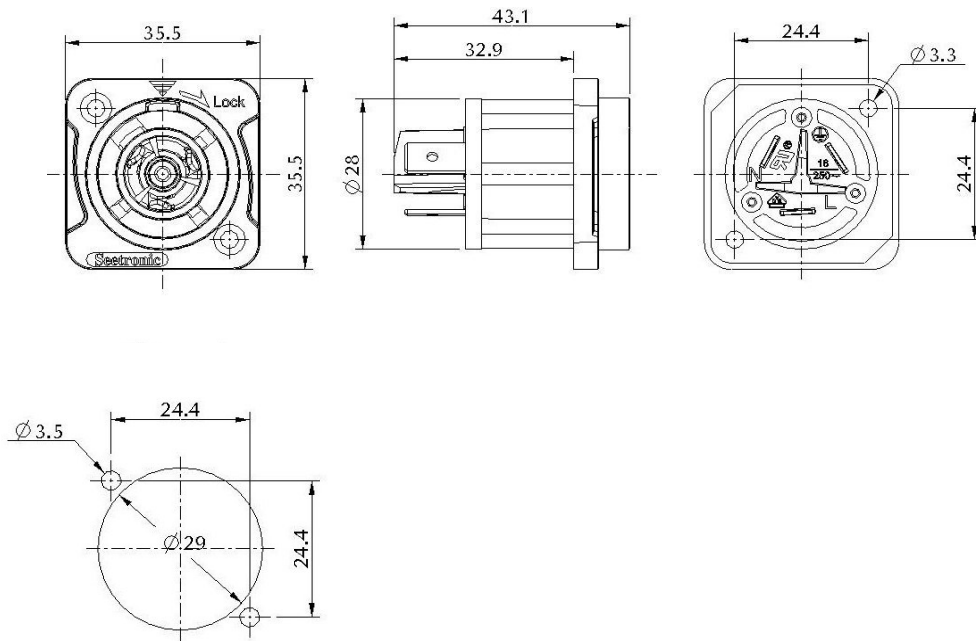
### 3. Material and environmental parameters

Shell	PA
Contacts	Cu alloy
Contact surface	Ag
Protection degree	IP65
Flame-retardant grade	UL94-V0
Temperature range	$-30^{\circ}\text{C}$ to $+80^{\circ}\text{C}$

### 4. Standard

Standard	IEC61984
----------	----------

## Product Profile



mm

## Installation instructions

Socket installation direction: Before the installation

