



Product designation	Automatic battery chargers
Product type designation	BCE
Type	Single phase automatic battery charger 1 charging level for lead-acid batteries

Power supply

Rated voltage Us	min	VAC	220
	Max	VAC	240 ±10%
Operational frequency	min	Hz	50 ±5%
	max	Hz	60 ±5%
Power consumption	Max	VA	317
	Max	W	40
Internal fuse		A	4

Charging cycle

Reference standards	IEC60335-2-29
Battery type	lead-acid
Battery voltage	VDC 24
Charging voltage (Uc)	27.6
Charging current (Ic)	A 5
Charging current adjustment	% Ic 30 to 100

Protections	Main supply fuse; Battery output fuse; charging inhibition due to: 1. Short circuit at battery terminals; 2. Reverse battery polarity; 3. Low voltage at battery poles; 4. Output overload.
-------------	---

Indications

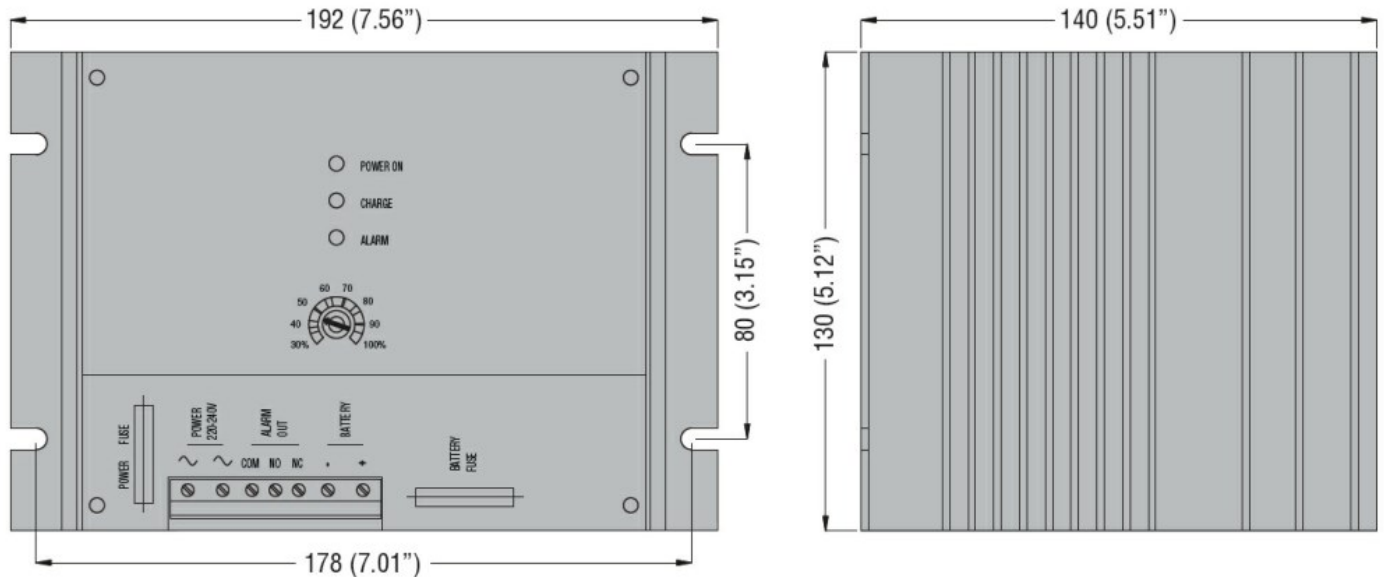
LED indicator for operating status	Yes
LED reverse battery polarity	Yes

Alarm output circuit

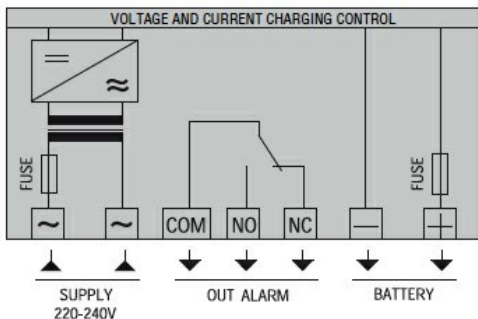
Output type	Relay with 1 c/o (SPDT)
Rated capacity	AC1: 5A 250VAC; DC13: 5A 30VDC

Mechanical life	cycles	>3000000
Electrical life	cycles	>1000000
Mechanical features		
Housing type		Internal panel mounting
Terminals type		Fixed
Fixing		Screw fixing
Weight	g	4960
Ambient conditions		
Temperature		
Operating temperature	min °C	-10
	max °C	+50
Storage temperature	min °C	-30
	max °C	+80
Protection degree		IP00

Dimensions



Wiring diagrams



Certifications and compliance

Compliance

IEC/EN 60335-2-29

Certificates

EAC

ETIM classification

ETIM 8.0

EC000359 -
Universal charger