

Part number

C30FA 70



Female crimp contact, C30 series, 300 A, turned silver plated, wire cross section 70 mm², AWG 2/0

Product description

Product type	Crimp contact
Series	C30
Gender	Female

Technical data

Current	300 A
Wire cross-section	70,00 mm ²
Contact type	Turned silver plated

Further technical details

Contact resistance	≤ 0,2 mΩ
Weight	36,00 g
Conductors stripping length	22,5 mm

Material properties

Main material	Copper alloy
RoHs conformity	Compliant with exemption 6(c): copper alloy containing up to 4% lead by weight
China RoHs - EFUP	50
REACH SVHC substances	Yes Lead

General ordering information

EAN13 code	8015747291125
-------------------	---------------

Packaging Information

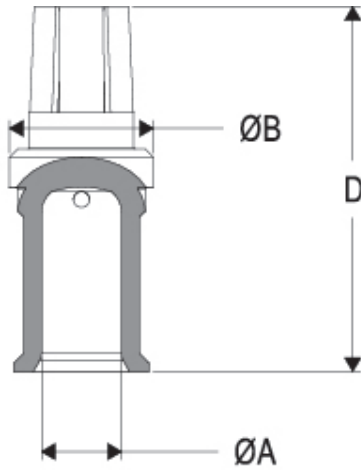
Packaging length	112,00 mm
Packaging height	95,00 mm
Packaging width	117,00 mm
Packaging volume	1,24 dm ³
Packaging description	Carton box
Packaging quantity	40 Pcs
Packaging EAN code	8015747291132
Sub-packaging description	Plastic box
Sub-packaging quantity	5 Pcs
Sub-packaging EAN barcode	8015747291149

Part number

C30FA 70



Catalogue drawings



C30FA contacts

conductor section (mm ²)	conductor slot \varnothing A (mm)	\varnothing B (mm)	D (mm)	conductor stripping length (mm)
16	5,5	18	39,1	19
25	7	18	39,1	19
35	8,2	18	40,1	20
50	10	18	45,6	22,5
70	11,5	18	45,6	22,5
95	13,5	21	45,6	22,5
120	15,5	21	45,6	22,5

Notes

California Proposition 65 Information



WARNING

This product can expose you to lead and its compounds, known to the State of California to cause cancer and/or reproductive toxicity. For more information go to www.P65Warnings.ca.gov.