

1SNK906303R0000 ✓ ACTIVE

ENTRELEC | ENTRELEC SNK

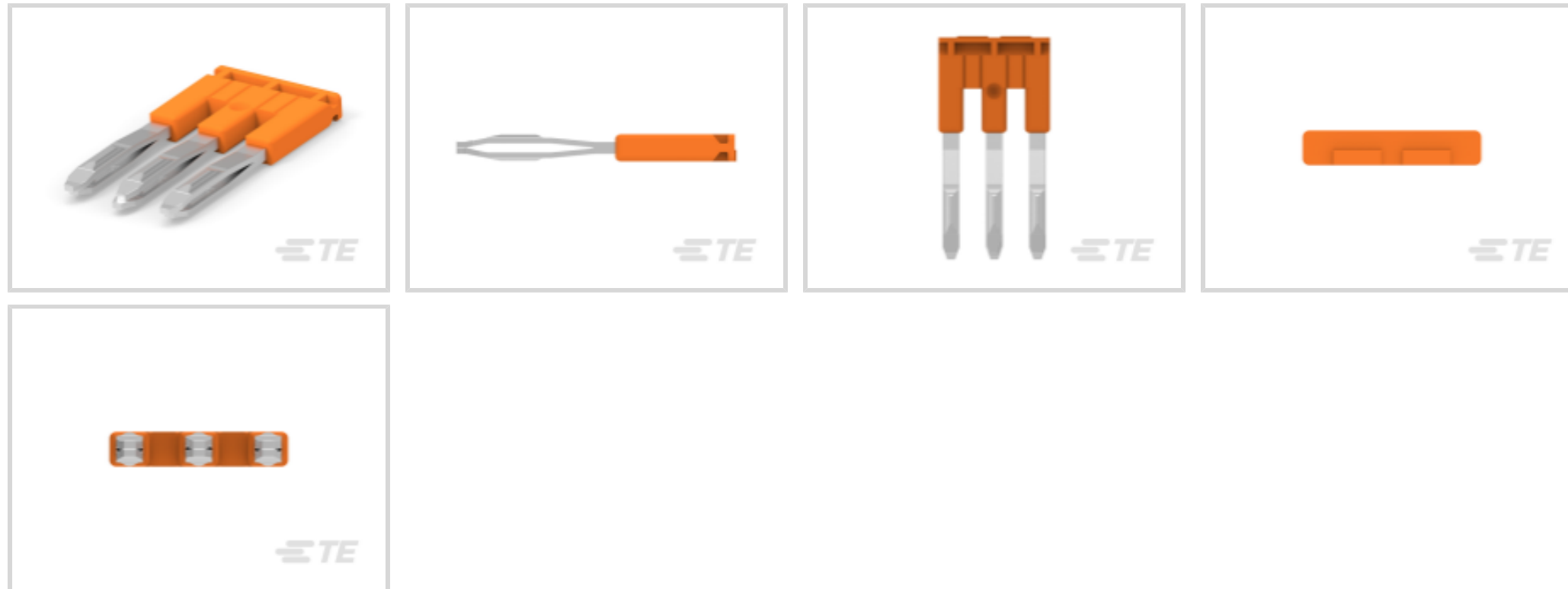
TE Internal #: 1SNK906303R0000

Terminal Block & Strip Conducting Accessories, Jumper Bar, 3 Pole, Orange, Product Spacing .236 in [6 mm], -67 – 230 °F [-55 – 110 °C], ENTRELEC SNK

[View on TE.com >](#)



Connectors > Terminal Blocks & Strips > Terminal Block & Strip Accessories > Terminal Block & Strip Conducting Accessories



Conducting Accessory Type: **Jumper Bar**

Number of Poles: **3**

PCB Mount Retention Type: **Screwless**

Primary Product Color: **Orange**

Product Spacing: **6 mm [ .236 in ]**

## Features

### Product Type Features

Conducting Accessory Type	Jumper Bar
---------------------------	------------

### Configuration Features

Number of Poles	3
-----------------	---

### Electrical Characteristics

Operating Voltage Rating (UL & CSA) (Max) - Main Circuit	600 V
Impulse Withstanding Voltage Rating (IEC)	8000 V
Voltage Rating (CSA)	600 V
Current Rating (CSA)	30 A
Power Loss	1.3 W
Dielectric Test Voltage	2200 V
Short-Time Withstanding Current Rating @ 1s	720 A
Voltage Rating (IEC)	1000 V
Current Rating (UL)	30 A
Current Rating (IEC)	41 A

### Body Features

Product Weight	2.1 g[.074 oz]
Plastic & Resin Material Type	Polyamide
Primary Product Color	Orange

### Contact Features

Contact Current Rating (Max)	41 A
------------------------------	------

### Mechanical Attachment

PCB Mount Retention Type	Screwless
--------------------------	-----------

### Dimensions

Product Depth	26.8 mm[1.055 in]
Product Width	6 mm[.236 in]
Product Height	15 mm[.591 in]
Product Spacing	6 mm[.236 in]

### Usage Conditions

Storage Temperature Range	-55 – 110 °C[-67 – 230 °F]
Installation Temperature Range	-5 – 40 °C[23 – 104 °F]
Operating Temperature Range	-55 – 110 °C[-67 – 230 °F]

### Industry Standards

IP Rating	IP20
-----------	------

### Product Compliance

[For compliance documentation, visit the product page on TE.com>](#)

EU RoHS Directive 2011/65/EU	Compliant
EU ELV Directive 2000/53/EC	Compliant
China RoHS 2 Directive MIIT Order No 32, 2016	No Restricted Materials Above Threshold
EU REACH Regulation (EC) No. 1907/2006	Current ECHA Candidate List: JUNE 2022 (224) Candidate List Declared Against: JUNE 2022 (224) Does not contain REACH SVHC
Halogen Content	Low Halogen - Br, Cl, F, I < 900 ppm per homogenous material. Also BFR/CFR/PVC Free
Solder Process Capability	Not reviewed for solder process capability

Product Compliance Disclaimer

This information is provided based on reasonable inquiry of our suppliers and represents our current actual knowledge based on the information they provided. This information is subject to change. The part numbers that TE has identified as EU RoHS compliant have a maximum concentration of 0.1% by weight in homogenous materials for lead, hexavalent chromium, mercury, PBB, PBDE, DBP, BBP, DEHP, DIBP, and 0.01% for cadmium, or qualify for an exemption to these limits as defined in the Annexes of Directive 2011/65/EU (RoHS2). Finished electrical and electronic equipment products will be CE marked as required by Directive 2011/65/EU. Components may not be CE marked. Additionally, the part numbers that TE has identified as EU ELV compliant have a maximum concentration of 0.1% by weight in homogenous materials for lead, hexavalent chromium, and mercury, and 0.01% for cadmium, or qualify for an exemption to these limits as defined in the Annexes of Directive 2000/53/EC (ELV). Regarding the REACH Regulation, the information TE provides on SVHC in articles for this part number is based on the latest European Chemicals Agency (ECHA) 'Guidance on requirements for substances in articles' posted at this URL: <https://echa.europa.eu/guidance-documents/guidance-on-reach>

## Compatible Parts



TE Part # 1SNK506010R0000  
ZS6



TE Part # 1SNK506011R0000  
ZS6-3S



TE Part # 1SNK506013R0000  
ZS4-R2



TE Part # 1SNK506212R0000  
ZS6-D2-PE



TE Part # 1SNK506250R0000  
ZS6-D1-PE



TE Part # 1SNK506310R0000  
ZS4-S-R1



TE Part # 1SNK506410R0000  
ZS4-SF



TE Part # 1SNK706012R0000  
ZK4-4P



TE Part # 1SNK706310R0000  
ZK2.5-S-R1



TE Part # 1SNK506012R0000  
ZS6-4S



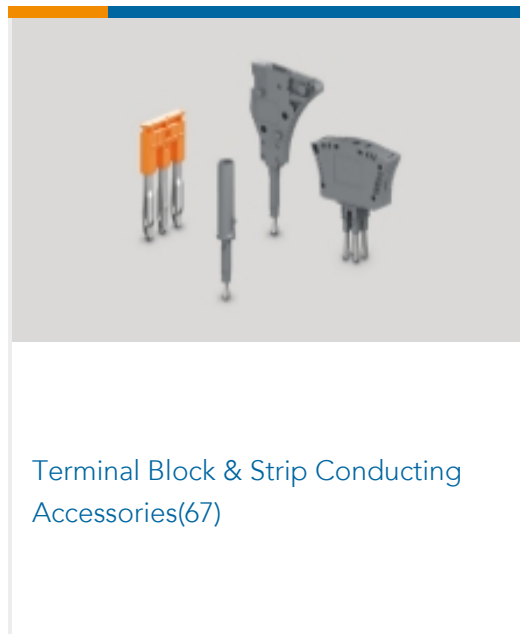
TE Part # 1SNK506020R0000  
ZS6-BL



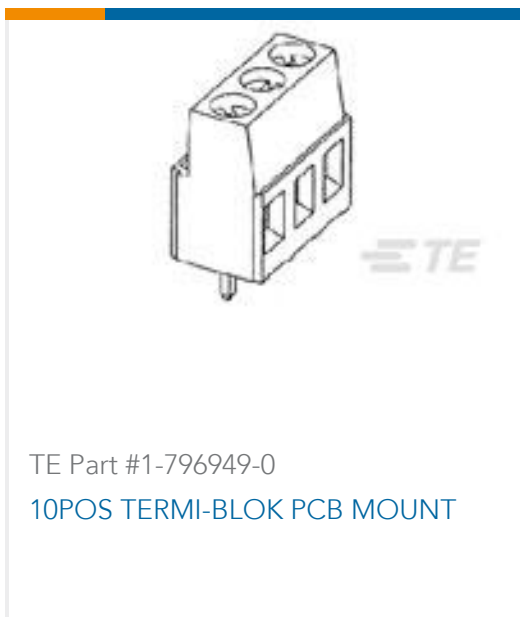
TE Part # 1SNK506021R0000  
ZS6-3S-BL



Also in the Series | **ENTRELEC SNK**



Customers Also Bought







## Documents

### CAD Files

#### 3D PDF

3D

#### Customer View Model

[ENG\\_CVM\\_CVM\\_1SNK906303R0000\\_A.2d\\_dxf.zip](#)

English

#### Customer View Model

[ENG\\_CVM\\_CVM\\_1SNK906303R0000\\_A.3d\\_igs.zip](#)

English

#### Customer View Model

[ENG\\_CVM\\_CVM\\_1SNK906303R0000\\_A.3d\\_stp.zip](#)

English

By downloading the CAD file I accept and agree to the [Terms and Conditions](#) of use.

### Datasheets & Catalog Pages

[ENTRELEC Terminal Block - Master Catalog](#)

English

#### JB6-3

English

[SNK SERIES TERMINAL BLOCKS](#)

English

[ENTRELEC Terminal Blocks Catalogue \(RUS\)](#)

[Essential Entrelec Terminal Blocks](#)

French

[Essential Entrelec Terminal Blocks](#)

English