



Product designation
Product type designation

Power contactor
BF400

Contact characteristics

Number of poles	Nr.	4
Rated insulation voltage U _i IEC/EN	V	1000
Rated impulse withstand voltage U _{imp}	kV	8
Operational frequency	min	Hz 25
	max	Hz 400
IEC Conventional free air thermal current I _{th}	A	600
Operational current I _e	AC-1 (≤40°C)	A 600
	AC-1 (≤55°C)	A 500
	AC-1 (≤70°C)	A 435
	AC-3 (≤440V ≤55°C)	A 400
	AC-4 (400V)	A 190
Rated operational power AC-3 (T≤55°C)	230V	kW 110
	400V	kW 200
	415V	kW 200
	440V	kW 200
	500V	kW 250
	690V	kW 315
	1000V	kW 200
Rated operational current AC-3 (T≤55°C)	230V	A 400
	400V	A 400
	415V	A 400
	440V	A 400
	500V	A 350
	690V	A 350
	1000V	A 155
Rated operational power AC-1 (T≤40°C)	230V	kW 227
	400V	kW 395
	500V	kW 434
	690V	kW 681
IEC max current I _e in DC1 with L/R ≤ 1ms with 1 poles in series	75V	A 400
	110V	A 250
IEC max current I _e in DC1 with L/R ≤ 1ms with 2 poles in series	75V	A 400
	110V	A 400
	220V	A 350
IEC max current I _e in DC1 with L/R ≤ 1ms with 3 poles in series		

	75V	A	400
	110V	A	400
	220V	A	400
	330V	A	350
<hr/>			
IEC max current I _e in DC1 with L/R ≤ 1ms with 4 poles in series			
	75V	A	400
	110V	A	400
	220V	A	400
<hr/>			
IEC max current I _e in DC3-DC5 with L/R ≤ 15ms with 1 poles in series			
	75V	A	350
	110V	A	200
<hr/>			
IEC max current I _e in DC3-DC5 with L/R ≤ 15ms with 2 poles in series			
	75V	A	350
	110V	A	350
	220V	A	280
<hr/>			
IEC max current I _e in DC3-DC5 with L/R ≤ 15ms with 3 poles in series			
	75V	A	350
	110V	A	350
	220V	A	350
	330V	A	280
<hr/>			
IEC max current I _e in DC3-DC5 with L/R ≤ 15ms with 4 poles in series			
	75V	A	350
	110V	A	350
	220V	A	350
	330V	A	350
	460V	A	280
<hr/>			
Short-time allowable current for 10s (IEC/EN60947-1)		A	3200
<hr/>			
Protection fuse			
	gG (IEC)	A	800
	aM (IEC)	A	500
<hr/>			
Making capacity (RMS value)		A	4000
<hr/>			
Breaking capacity at voltage			
	440V	A	3200
	500V	A	2752
	690V	A	2504
<hr/>			
Resistance per pole (average value)		mΩ	0.12
<hr/>			
Power dissipation per pole (average value)			
	I _{th}	W	43.2
	AC-3	W	19
<hr/>			
Tightening torque for terminals			
	min	Nm	35
	max	Nm	35
	min	lbin	310
	max	lbin	310
<hr/>			
Tightening torque for coil terminal			
	min	Nm	0.8
	max	Nm	1
<hr/>			
Power terminal protection according to IEC/EN 60529			IP00
<hr/>			
Mechanical features			
Operating position			
	normal		Vertical plan
	allowable		±30°
<hr/>			
Fixing			Screw

Operations

Mechanical life	cycles	5000000
Electrical life	cycles	600000

Safety related data

Performance level B10d according to EN/ISO 13489-1

rated load cycles 1000000

EMC compatibility yes

AC coil operating

Rated AC voltage at 50/60Hz, 60Hz

min	V	24
max	V	60

AC operating voltage

of 50/60Hz coil powered at 50Hz
pick-up

min	%Us	80 Us min
max	%Us	110 Us max

drop-out

max	%Us	≤70 Us min
-----	-----	------------

of 50/60Hz coil powered at 60Hz
pick-up

min	%Us	80 Us min
max	%Us	110 Us max

drop-out

max	%Us	≤70 Us min
-----	-----	------------

AC average coil consumption at 20°C

of 50/60Hz coil powered at 50Hz

in-rush	VA	160...320
holding	VA	3.5...8.0

of 50/60Hz coil powered at 60Hz

in-rush	VA	160...320
holding	VA	3.5...8.0

of 60Hz coil powered at 60Hz

in-rush	VA	160...320
holding	VA	3.5...8.0

Dissipation at holding ≤20°C 50Hz

W 3.5...8.0

DC coil operating

DC rated control voltage

min	V	20
max	V	60

DC operating voltage

pick-up

min	%Us	85 Us min
max	%Us	110 Us max

drop-out

max	%Us	≤70 Us min
-----	-----	------------

Average coil consumption ≤20°C

in-rush	W	160...230
holding	W	3.5...8.0

Max cycles frequency

Mechanical operation cycles/h 1000

Operating times

Average time for Us control

in AC

Closing NO	min	ms	80
	max	ms	120
Opening NO	min	ms	30
	max	ms	75

UL technical data

Yielded mechanical performance

for three-phase AC motor

200/208V	HP	125
220/230V	HP	150
460/480V	HP	350
575/600V	HP	400

General USE

Contactor

AC current	A	600
------------	---	-----

Short-circuit protection fuse, 600V
High fault

Short circuit current	kA	100
Fuse rating	A	600
Fuse class		J

Standard fault

Short circuit current	kA	18
Fuse rating	A	600
Fuse class		RK5

Ambient conditions

Temperature

Operating temperature

min	°C	-40
max	°C	70

Storage temperature

min	°C	-50
max	°C	80

Max altitude

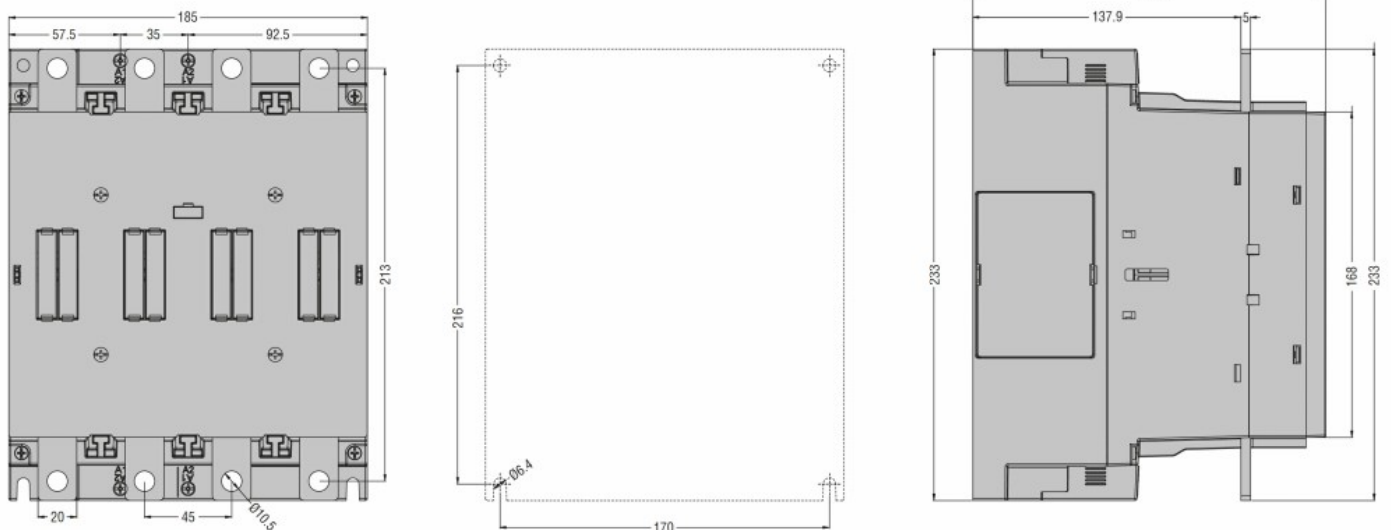
m	3000
---	------

Resistance & Protection

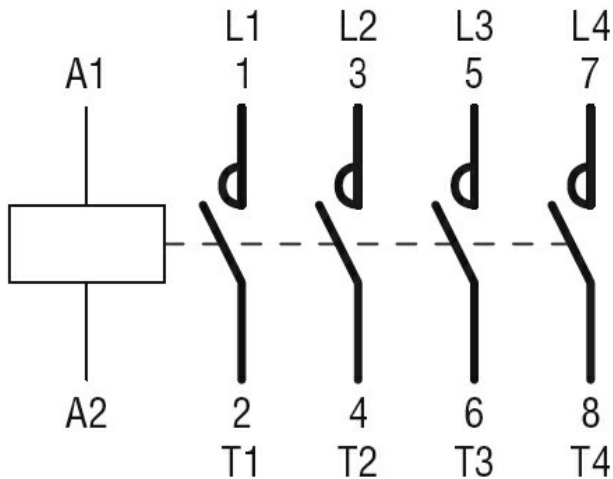
Pollution degree

3

Dimensions



Wiring diagrams



Certifications and compliance

Compliance

CSA C22.2 n° 60947-1

CSA C22.2 n° 60947-4-1

IEC/EN/BS 60947-1

IEC/EN/BS 60947-4-1

UL 60947-1

UL 60947-4-1

Certificates

cULus

ETIM classification

ETIM 8.0

EC000066 -
Power contactor,
AC switching