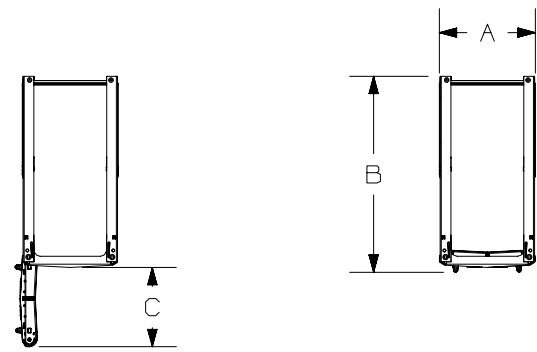


NOTES:

1. VISIT OUR ON-LINE CATALOG AT WWW.PANDUIT.COM FOR A LIST OF CURRENT PARTS APPLICABLE FOR USE WITH THIS PRODUCT.
2. DIMENSIONS IN [] ARE METRIC.
3. WEIGHT: SEE TABLE ON SHEET 3.
4. PART INCLUDES:
 - 1- PATCHRUNNER 2 HIGH CAPACITY MANAGER, FRONT FINGERS ONLY
 - 1- PATCHRUNNER 2 DUAL HINGE DOOR, FOR VERTICAL CABLE MANAGER.
 - 1- HARDWARE KIT.
5. CAN BE USED WITH ANY 19 OR 23 INCH EIA STANDARD RACK.
6. ALL DIMENSIONS ARE REFERENCE ONLY.

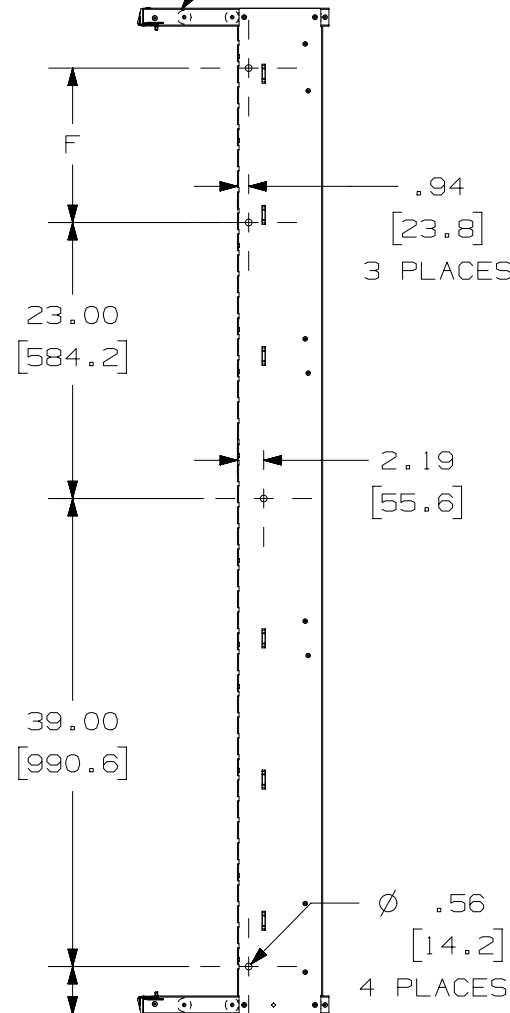
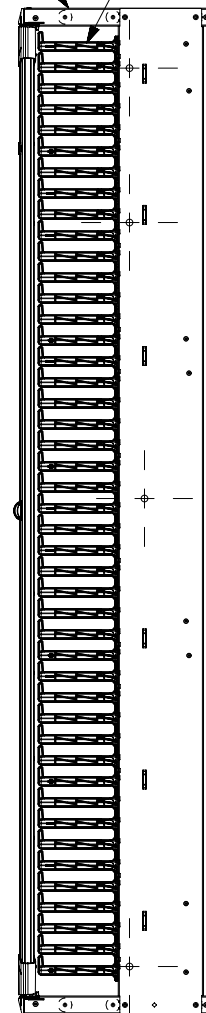
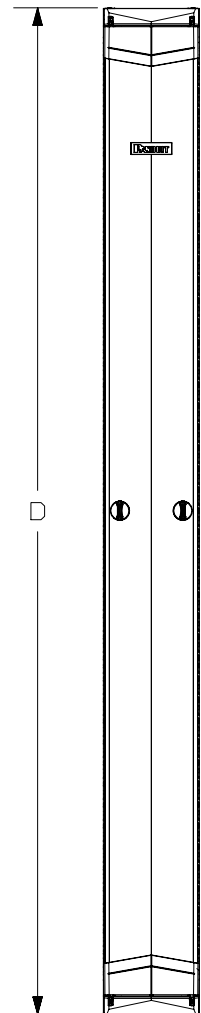


DISTANCE OF OPEN DOOR

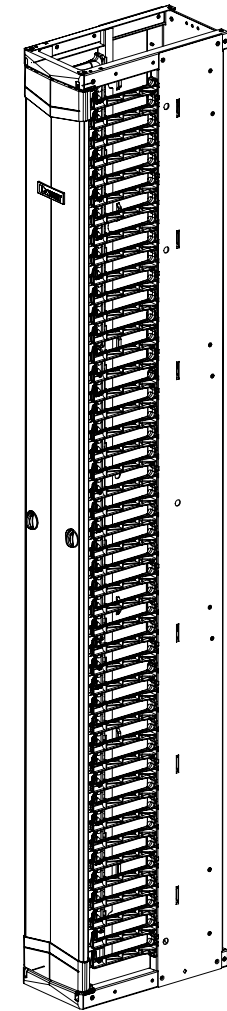
DOOR SUPPORTS FIELD INSTALLED

FINGER SECTIONS FIELD INSTALLED

DOOR AND FINGERS REMOVED FOR CLARITY



MOUNTING HOLE LOCATIONS ALL DIMS TYPICAL BOTH SIDES

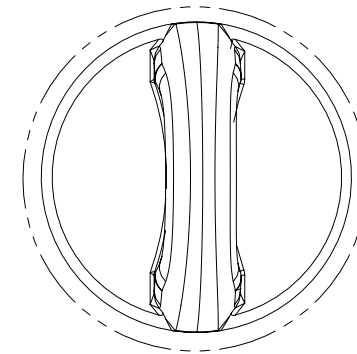
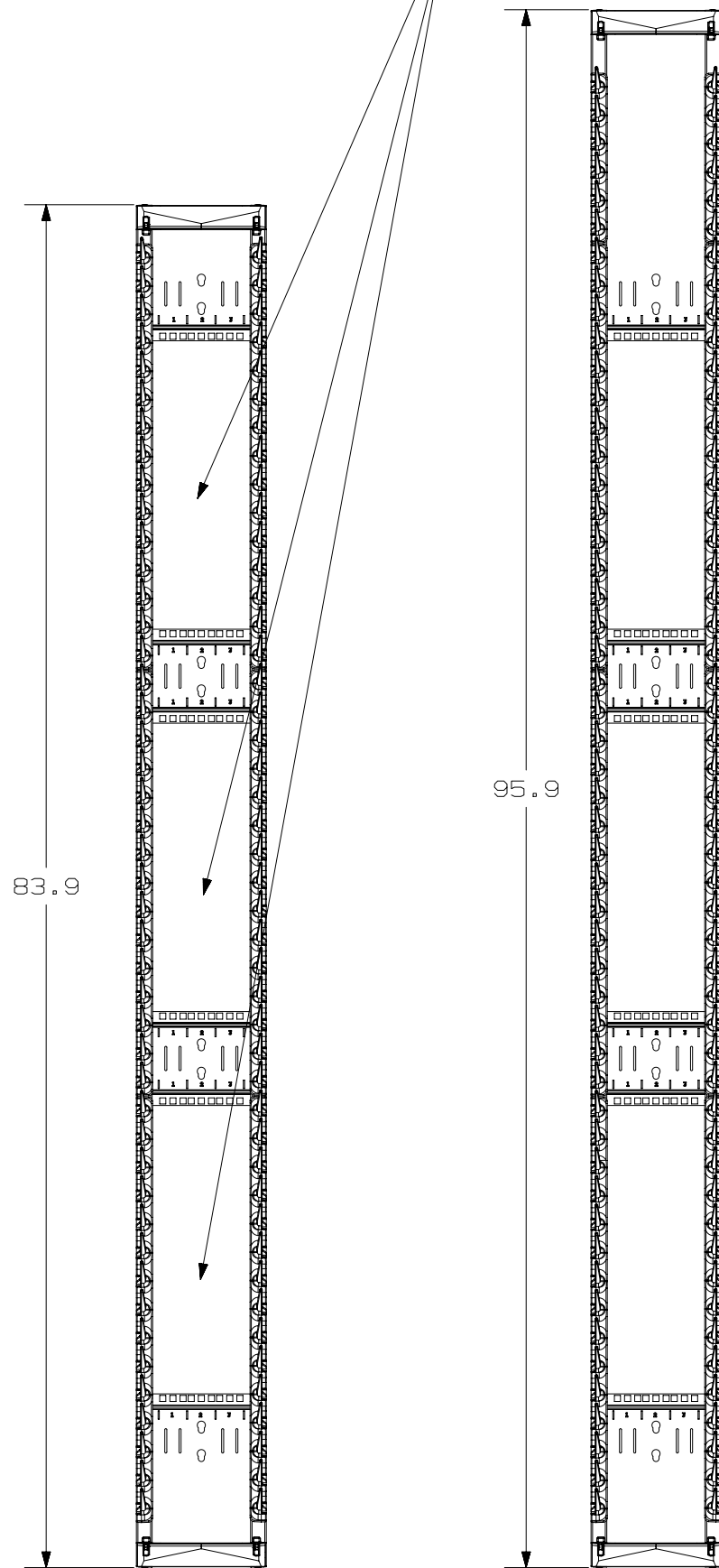


| | | | | |
|--------------------|--|---|-----|-------|
| PART NUMBER | | PE2VFD**, PE2VFD**96 | | |
| TITLE | | PATCHRUNNER 2 HIGH CAPACITY VERTICAL CABLE MANAGER, FRONT ONLY FINGERS AND DOOR | | |
| | | CUSTOMER DRAWING | | |
| ITEM REVISION NAME | | 17M062AH/01 | | |
| DATASET FILE NAME | | 17M062AH_DC/01B | | |
| MATERIAL | | STEEL, PLASTIC | | |
| DRAWN BY | | DATE | CHK | SCALE |
| TWV | | 8-2-18 | RYB | NONE |
| DRAWING NUMBER | | 17M062AH-DC | | |
| SHEET 1 OF 3 | | B | | |

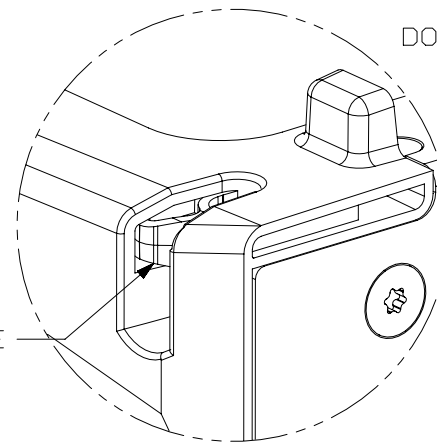
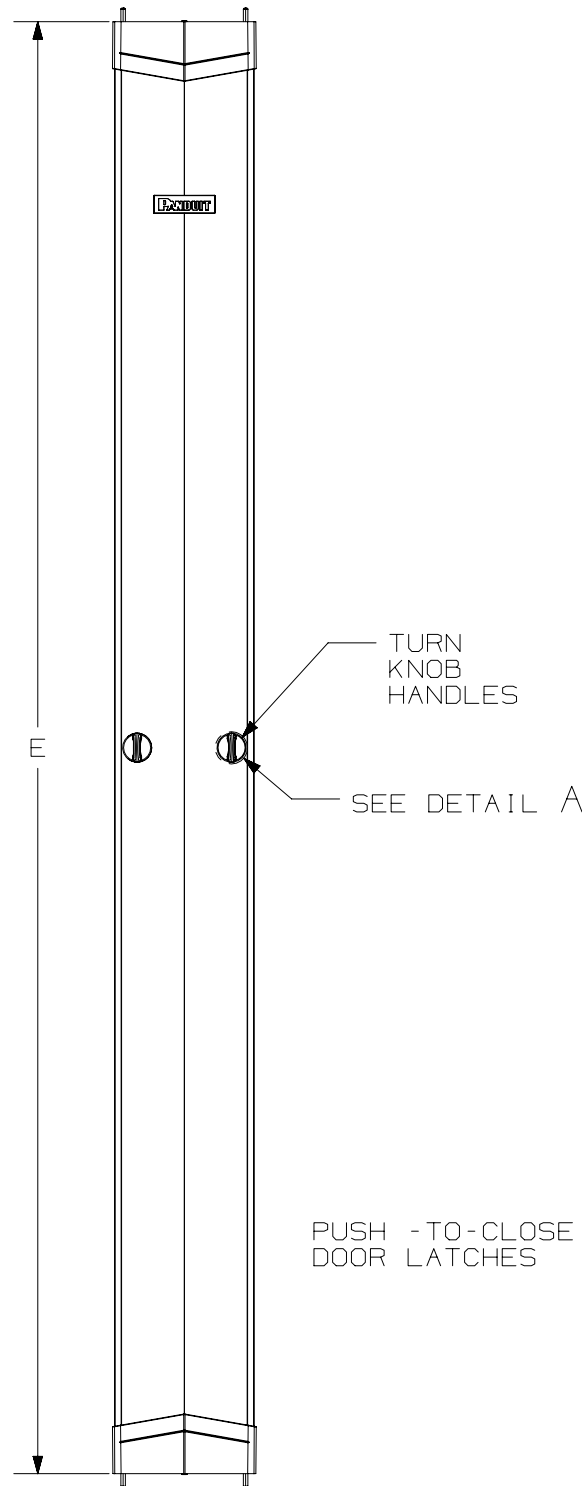
| REV | DATE | BY | CHK | APR | DESCRIPTION | ECN |
|-----|---------|-----|-----|------|-------------------------------|----------|
| 01B | 9-28-20 | TWV | RYB | JEFK | ADDED MOUNTING HOLE LOCATIONS | M09000JB |
| 01A | 1-21-19 | RYB | | | UPDATED FABRICATED PARTS | M09000JB |

B-SIZE CUSTOMER

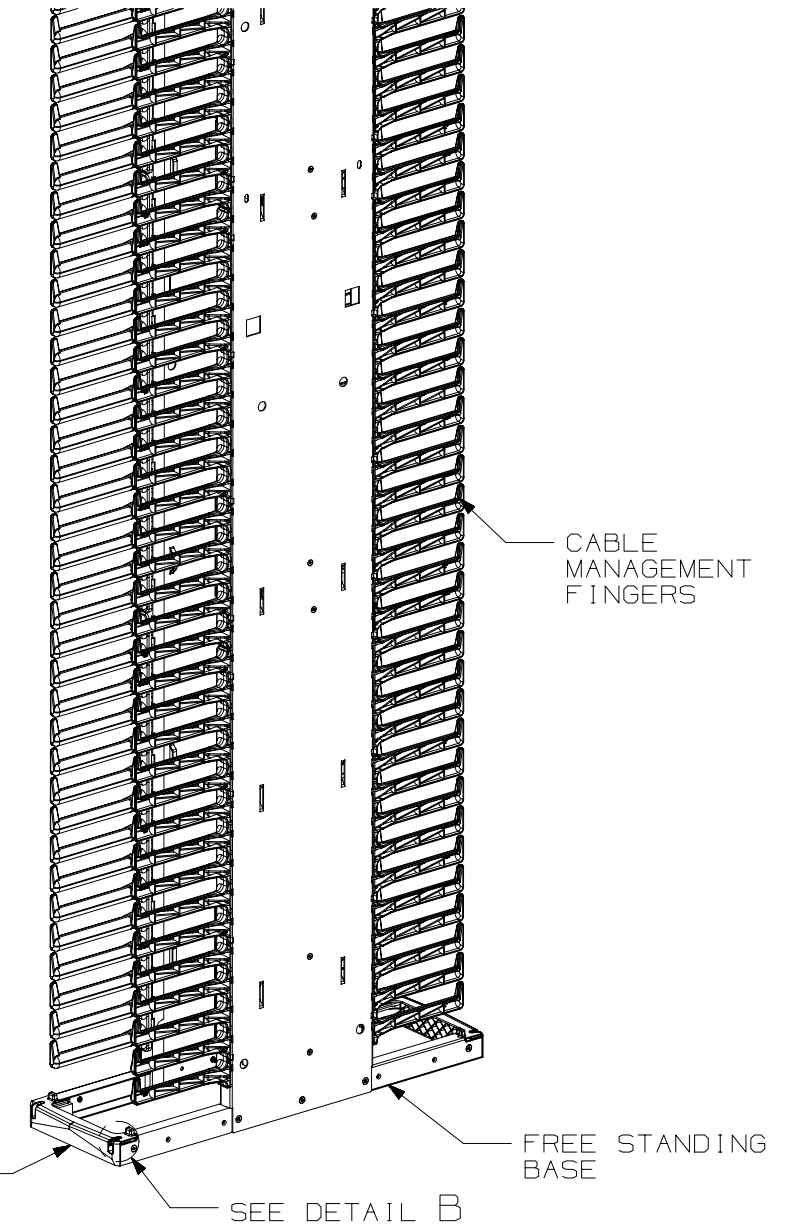
(3) 19" EIA VERTICAL MOUNTING SECTIONS IN EACH MANAGER.
ACCEPTS PATCH PANELS AND OTHER 19" RACK MOUNT
ACCESSORIES TO FREE UP RU SPACE IN THE RACK



DETAIL A
SCALE 1:1



DETAIL B
SCALE 1:1



| | | | | | | |
|-----|---------|-----|-----|------|-----------------------------|----------|
| 01B | 9-28-20 | TWV | RYB | JEFK | SEE SHEET ONE FOR REVISIONS | M09000JB |
| 01A | 1-21-19 | RYB | | | SEE SHEET ONE FOR REVISIONS | M09000JB |
| REV | DATE | BY | CHK | APR | DESCRIPTION | ECN |

| | | | |
|--------------------|--|--|-----|
| PART NUMBER | | PE2VFD**, PE2VFD**96 | |
| TITLE | | PATCHRUNNER 2 HIGH CAPACITY VERTICAL CABLE MANAGER, FRONT ONLY FINGERS AND DOOR | |
| | | CUSTOMER DRAWING | |
| ITEM REVISION NAME | | 17M062AH/01 | |
| DATASET FILE NAME | | 17M062AH_DC/01B | |
| MATERIAL | | STEEL, PLASTIC | |
| DRAWN BY | | DATE | CHK |
| TWV | | 8-2-18 | RYB |
| SCALE | | NONE | |
| DRAWING NUMBER | | 17M062AH-DC | |
| SHEET 2 OF 3 | | B | |

B

B

A

A

2

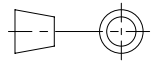
1

B-SIZE CUSTOMER

| PART NO. | A=OVERALL WIDTH | | B=OVERALL DEPTH | | C=DOOR OPENING DEPTH | | D= OVERALL HEIGHT | | E=DOOR HEIGHT | | F = TOP HOLE SPACING | | VERTICAL RU SPACING | MANAGER AND DOORS FULLY UNPACKED WEIGHT | MANAGER AND DOORS SHIPPING WEIGHT |
|--------------|-----------------|-------|-----------------|-------|----------------------|--------|-------------------|--------|---------------|--------|----------------------|-----------------------------------|-----------------------------------|---|------------------------------------|
| | INCHES | MM | INCHES | MM | INCHES | MM | INCHES | MM | INCHES | MM | INCHES | MM | RU | | |
| PE2VFD06** | 6.00 | 152.4 | 16.3 | 414.8 | 4.62 | 117.3 | 83.9 | 2131.1 | 80.8 | 2051.6 | 12.87 | 326.9 | 6 | 46.27 LBS EACH [24.4 KG EACH] | 48.27 LBS EACH [21.9 KG EACH] |
| PE2VFD08** | 8.00 | 203.2 | | | 6.60 | 167.7 | | | | | | | 9 | 49.0 LBS EACH [22.2 KG EACH] | 51.0 LBS EACH [23.1 KG EACH] |
| PE2VFD10** | 10.00 | 254.0 | | | 8.60 | 218.4 | | | | | | | 12 | 51.72 LBS EACH [23.5 KG EACH] | 53.72 LBS EACH [24.4 KG EACH] |
| PE2VFD12** | 12.00 | 304.8 | | | 10.60 | 269.2 | | | | | | | 15 | 54.27 LBS EACH [24.61 KG EACH] | 56.27 LBS EACH [25.5 KG EACH] |
| PE2VFD0696** | 6.00 | 152.4 | | | 95.9 | 2435.9 | 92.8 | 2356.4 | 24.0 | 609.6 | 6 | 53.1 LBS EACH [24.1 KG EACH] | 55.1 LBS EACH [25.0 KG EACH] | | |
| PE2VFD0896** | 8.00 | 203.2 | | | | | | | | | 6.60 | 167.7 | 9 | 56.37 LBS EACH [25.6 KG EACH] | 58.37 LBS EACH [26.5 KG EACH] |
| PE2VFD1096** | 10.00 | 254.0 | | | | | | | | | 8.60 | 218.4 | 12 | 59.73 LBS EACH [27.1 KG EACH] | 61.73 LBS EACH [28.0 KG EACH] |
| PE2VFD1296** | 12.00 | 304.8 | | | | | | | | | 10.60 | 269.2 | 15 | 62.91 LBS EACH [28.5 KG EACH] | 64.91 LBS EACH [29.4 KG EACH] |

**DENOTES COLOR
NONE=BLACK
WH=WHITE

| | | | | | | |
|-----|---------|-----|-----|------|-----------------------------|----------|
| 01B | 9-28-20 | TWV | RYB | JEFK | SEE SHEET ONE FOR REVISIONS | M09000JB |
| 01A | 1-21-19 | RYB | | | SEE SHEET ONE FOR REVISIONS | M09000JB |
| REV | DATE | BY | CHK | APR | DESCRIPTION | ECN |

| | | | | | |
|--------------------|--------|--|-------|----------------|--|
| PART NUMBER | | PE2VFD**, PE2VFD**96 | | | |
| TITLE | | PATCHRUNNER 2 HIGH CAPACITY VERTICAL CABLE MANAGER, FRONT ONLY FINGERS AND DOOR | | | |
| | | CUSTOMER DRAWING | | | |
| ITEM REVISION NAME | | 17M062AH/01 | | | |
| DATASET FILE NAME | | 17M062AH_DC/01B | | | |
| | |  THIRD ANGLE PROJECTION | | | |
| MATERIAL | | STEEL, PLASTIC | | DRAWING NUMBER | |
| | | | | 17M062AH-DC | |
| DRAWN BY | DATE | CHK | SCALE | SHEET 3 OF 3 | |
| TWV | 8-2-18 | RYB | NONE | B | |



B

B

A

A

B-SIZE CUSTOMER