

Part number

# TM 1125 P16



Cover, TM series, with 2 holes for inclined flush-mounting socket outlets with flange 64 x 82 mm

#### Product description

<b>Product type</b>	Cover
<b>Series</b>	TM
<b>Size</b>	Cover centre distance 114 x 255 mm
<b>Specification</b>	With 2 holes for inclined flush-mounting socket outlets with flange 64 x 82 mm

#### Technical data

<b>IP degree of protection</b>	IP66 / IP67
<b>Further technical details</b>	
<b>Weight</b>	262,00 g
<b>Operating temperature range (min, max)</b>	-25°C ... +40°C
<b>IK rating (impact degree of protection)</b>	IK10

#### Material properties

<b>Colour</b>	RAL 7012 grey
---------------	---------------

#### General ordering information

<b>EAN13 code</b>	8015747195089
-------------------	---------------

#### Packaging Information

<b>Packaging length</b>	160,00 mm
<b>Packaging height</b>	130,00 mm
<b>Packaging width</b>	270,00 mm
<b>Packaging weight</b>	1,47 kg
<b>Packaging volume</b>	5,62 dm <sup>3</sup>
<b>Packaging description</b>	Carton box
<b>Packaging quantity</b>	5 Pcs
<b>Packaging EAN code</b>	8015747195287
<b>Sub-packaging weight</b>	0,29 kg
<b>Sub-packaging description</b>	Plastic packaging
<b>Sub-packaging quantity</b>	1 Pcs
<b>Sub-packaging EAN barcode</b>	8015747195294

Part number

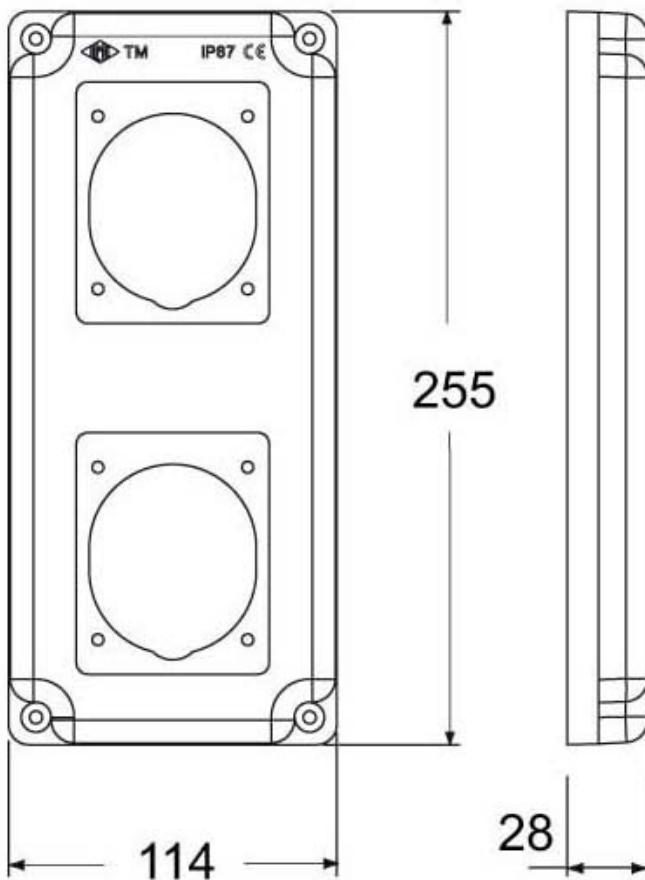
# TM 1125 P16



Catalogue drawings

dimensioni in mm

## TM 1125 P16



## Notes

- Compliant with international standard IEC 60670 (Italian standard CEI 23-48)
- Covers in insulating self-extinguishing thermoplastic material, RAL 7035 grey
- The covers mounted on the boxes guarantee the compliance with IP67 degree of protection requirements (EN 60529) using PEW socket-outlets
- Captive cover fixing screws in stainless steel
- Including socket-outlet fixing screws in stainless steel
- For TM boxes: single art. TM 1125 CS, double art. TM 2344 T2, triple art. TM 3444 T3

Dimensions shown in mm are not binding and may be changed without notice.