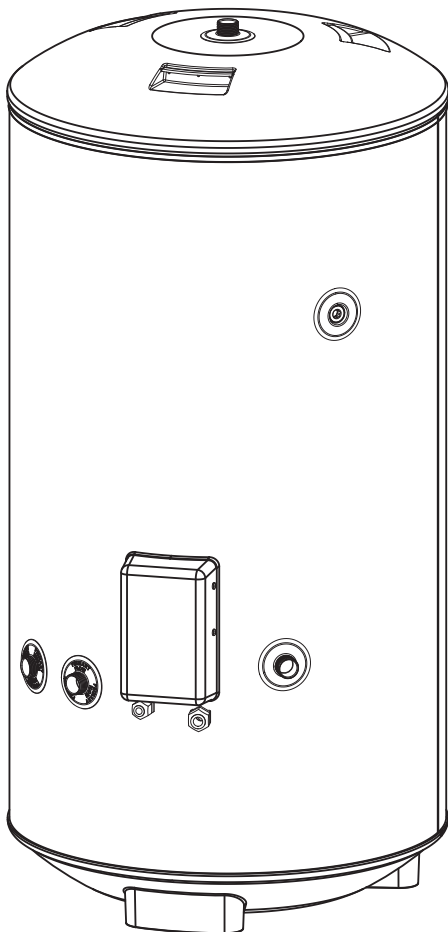




## AIR TO WATER HEAT PUMP SYSTEM Installation manual

### HOT WATER CYLINDER INDIRECT HEATING METHOD CLOSED OUTLET (UNVENTED)

150 litre	HWS-1501CSHM3-E
210 litre	HWS-2101CSHM3-E
300 litre	HWS-3001CSHM3-E



AIR TO WATER HEAT PUMP SYSTEM INSTALLATION AND SERVICE MANUAL	3	<b>EN</b>
SYSTÈME DE POMPE À CHALEUR AIR-EAU MANUEL D'INSTALLATION ET DE RÉPARATION	14	<b>FR</b>
LUFT-WASSER-WÄRMEPUMPENSYSYSTEM INSTALLATIONS - UND WARTUNGSANLEITUNG	26	<b>DE</b>
SYSTÉM TEPELNÉHO ČERPADLA (VZDUCH - VODA) SERVISNÍ A MONTÁŽNÍ MANUÁL	38	<b>CZ</b>
SUSTAV S TOPLINSKOM CRPKOM ZRAK-VODA PRIRUČNIK ZA UGRADNJU I SERVISIRANJE	49	<b>CR</b>
LEVEGŐ-VÍZ HŐSZIVATTYÚ RENDSZER FELSZERELÉSI ÉS SZERVIZELÉSI KÉZIKÖN	60	<b>HU</b>
ΣΥΣΤΗΜΑ ΑΝΤΛΙΑΣ ΘΕΡΜΑΝΣΗΣ ΑΕΡΑ - ΝΕΡΟΥ ΕΓΧΕΙΡΙΔΙΟ ΕΓΚΑΤΑΣΤΑΣΗΣ ΚΑΙ ΣΥΝΤΗΡΗΣΗΣ	72	<b>GR</b>
LUFT/VATTEN-VÄRMEPUMPSSYSTEM INSTALLATIONS- OCH SERVICEMANUAL	84	<b>SV</b>
LUFT-TIL-VANN VARMEPUMPESYSTEM INSTALLASJONS- OG VEDLIKEHOLDSHÅNDBOK	95	<b>NO</b>
SYSTÉM TEPELNÉHO ČERPADLA VZDUCH-VODA NÁVOD NA INŠTALÁCIU A OBSLUHU	106	<b>SK</b>
SISTEM TOPLOTNE ČRPALKE ZRAK-VODA PRIROČNIK ZA MONTAŽO IN VZDRŽEVANJE	118	<b>SL</b>



## AIR TO WATER HEAT PUMP SYSTEM

# HOT WATER CYLINDER INDIRECT HEATING METHOD CLOSED OUTLET (UNVENTED)

## INSTALLATION AND SERVICE MANUAL

### IMPORTANT

PLEASE READ AND UNDERSTAND THESE INSTRUCTIONS BEFORE INSTALLING THE WATER CYLINDER. INCORRECT INSTALLATION MAY INVALIDATE GUARANTEE. THE WATER CYLINDER MUST BE INSTALLED BY A QUALIFIED INSTALLER IN ACCORDANCE WITH LOCAL PLUMBING, BUILDING AND ELECTRICAL REGULATIONS. PLEASE LEAVE THIS MANUAL WITH THE UNIT FOR FUTURE REFERENCE.

EN

### TECHNICAL SPECIFICATIONS

Rated pressure	1.0 MPa (10 bar)
Test pressure (hydraulic)	1.5 MPa (15 bar)
Minimum recommended supply pressure	0.1 MPa (1 bar)
Max. primary circuit working pressure	0.35 MPa (3.5 bar)
Electrical rating (cylinder heater)	2.75kW @ 230V~
Weight (full)	181 kg
150 litre indirect	251 kg
210 litre indirect	360 kg
300 litre indirect	

### COMPONENTS SUPPLIED

- Water cylinder incorporating electric cylinder heater and thermal controls.
- Safety Group incorporating a Pressure Relief Valve, Check (Non-return) Valve and Isolating Valve.
- Compression nuts and olives.
- Cylinder heater key spanner.

## 1.0 IMPORTANT INSTALLATION POINTS

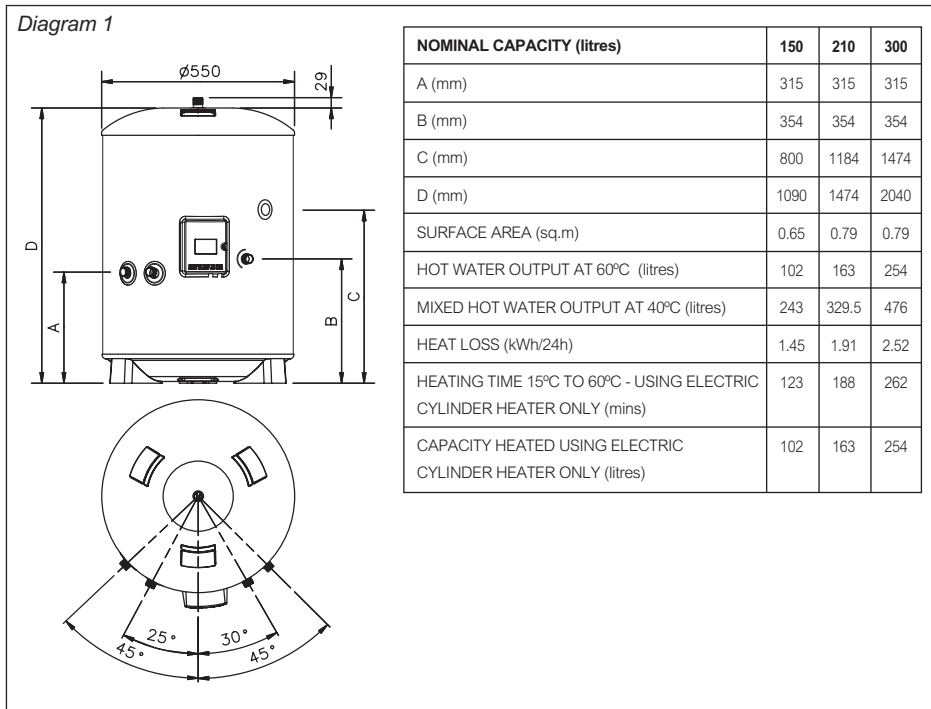
- 1.1 The unit, for use with the ESTIA air to water heat pump system, is a purpose designed unvented water cylinder.
- 1.2 The water cylinder **MUST** be fitted with a Pressure Relief Valve that complies with your local Plumbing and Building Regulations. **FAILURE TO PROVIDE ADEQUATE PRESSURE RELIEF WILL INVALIDATE ANY GUARANTEE AND LEAD TO A DANGEROUS INSTALLATION.**
- 1.3 Where the inlet pressure exceeds 0.6 MPa (6 bar) a Pressure Reducing Valve (set at max. 0.5 MPa (5 bar)) should be fitted to the inlet supply to the water cylinder. This **MUST NOT** be fitted between the Pressure Relief Valve and the water cylinder.
- 1.4 A Check (non-return) Valve should be fitted to the inlet supply to the water cylinder. This **MUST NOT** be fitted between the Pressure Relief Valve and the water cylinder.
- 1.5 This appliance is not intended for use by persons (including children) with reduced physical, sensory or mental capabilities, or lack of experience or knowledge, unless they have been given supervision or instruction concerning use of the appliance by a person responsible for their safety. Children should be supervised to ensure that they do not play with the appliance.

## EN

## 2.0 INSTALLATION – GENERAL REQUIREMENTS

- 2.1 National Wiring Regulations may contain restrictions concerning the installation of these units in certain areas, eg. Bathrooms.
- 2.2 The unit **MUST** be installed vertically.
- 2.3 The unit must be positioned on a level surface.
- 2.4 Enough space should be left around the unit for pipe connections and for access to controls and any safety valves fitted. Refer to Diagram 1 and the Dimensions Table to determine a suitable position for the water cylinder.
- 2.5 **NOTE:** Ensure the floor can support the full weight of the unit (see **TECHNICAL SPECIFICATIONS**).
- 2.6 **DO NOT** install where the unit may freeze.
- 2.7 The mains water supply to the property will be supplying both the hot and cold water requirements simultaneously. It is recommended that the maximum water demand is assessed and the water supply checked to ensure this demand can be satisfactorily met.  
**NOTE:** a high mains water pressure will not always guarantee high flow rates. We suggest the minimum supply requirements should be 0.1 MPa (1.0 bar) pressure and 20 litres per minute flowrate. However, at these values outlet flow rates may be poor if several outlets are used simultaneously. The higher the available pressure and flow rate the better the system performance.
- 2.8 **LIMITATIONS:**  
The water cylinder should not be used in association with any of the following:
  - Situations where maintenance is likely to be neglected or safety devices tampered with.

- Water supplies that have either inadequate pressure or where the supply may be intermittent.
- Situations where it is not possible to safely pipe away any discharge from the safety valves.
- Areas where the water supply consistently contains a high proportion of solids or suspended matter unless adequate filtration can be ensured on the inlet water supply.

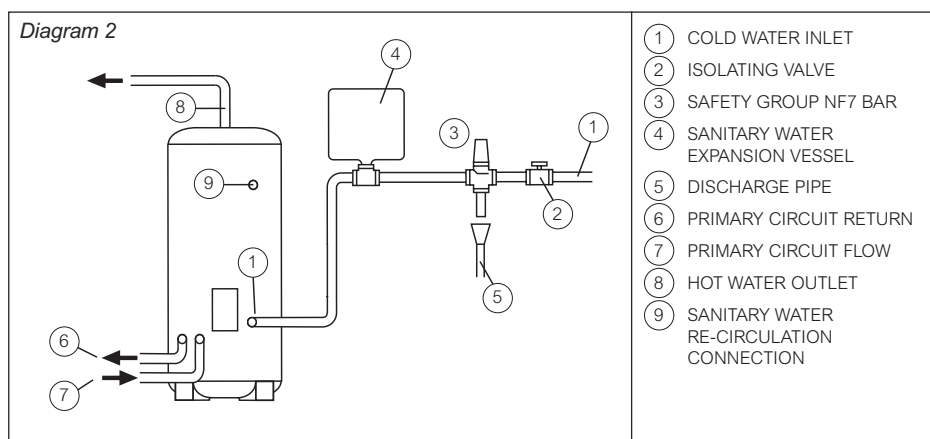


EN

### 3.0 INSTALLATION – PLUMBING

- 3.1 Refer to section **IMPORTANT INSTALLATION POINTS**. Plumb in valves in the sequence shown in Diagram 2. Ensure the valves are installed in the correct orientation by reference to the direction of flow arrows marked on them. The water cylinder **MUST** be fitted with a Pressure Relief Valve that complies with your local Plumbing and Building Regulations. (Safety Group supplied). **FAILURE TO PROVIDE ADEQUATE PRESSURE RELIEF WILL INVALIDATE ANY GUARANTEE AND LEAD TO A DANGEROUS INSTALLATION.** Any discharge pipe connected to the Pressure Relief device must be installed in a continuously downward direction in a frost free environment.
- 3.2 The water connections on the unit accept direct connection of 22mm outside diameter pipe; nuts and olives are supplied for this purpose. The thread on the connections is G3/4 to enable the use of G3/4 female connections to be used if required. **DO NOT** use zinc plated water pipes. When steel pipes are used the pipe should be insulated from the stainless steel vessel by using di-electric couplings.
- 3.3 The sanitary water **INLET** is marked **BLUE**, the **OUTLET** is marked **RED**. Several hot outlets can be served, however, individual site demands should be considered when choosing capacity and the number of outlets to be served.
- 3.4 It is recommended that an isolating valve is fitted on the cold water supply to the water cylinder.

- 3.5 A drain cock must be fitted below the water cylinder in the inlet pipework. It must be sited between the water cylinder and the Check Valve.
- 3.6 A sanitary circuit expansion vessel may be fitted to the cold water supply as shown in Diagram 2 to prevent wastage of expanded water. The following sizes are recommended:
- |           |                 |
|-----------|-----------------|
| 150 litre | 12 litre vessel |
| 210 litre | 18 litre vessel |
| 300 litre | 24 litre vessel |
- 3.7 A re-circulation circuit can be installed on the sanitary water circuit. A connection is provided for the re-circulation circuit return pipe (threaded G3/4 female).
- 3.8 The primary heating circuit **MUST** be connected via the Hydro Unit. Refer to the Installation Instructions supplied with the Hydro Unit for full details.



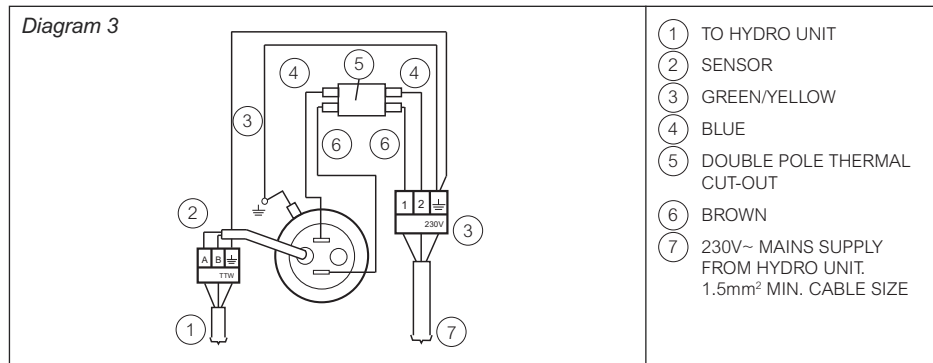
EN

## 4.0 ELECTRICAL REQUIREMENTS

- 4.1 The unit is supplied with a factory fitted cylinder heater complete with thermal sensor and over-temperature cut-out. The cylinder heater is rated 2.75kW at 230V~.
- 4.2 The cylinder heater is located behind the white terminal cover on the front of the unit. The cover is secured by 2 screws on each side of the cover and a threaded domed nut on the front of the cover. **ISOLATE THE ELECTRICAL SUPPLY BEFORE REMOVING THE COVER.**
- 4.3 The cylinder heater **MUST** be earthed.
- 4.4 All electrical wiring should be carried out by a competent electrician and be in accordance with the latest national Wiring Regulations. The circuit must be protected by a suitable fuse and double pole isolating switch with a contact separation of at least 3mm in both poles.
- 4.5 The cylinder heater should be wired in accordance with Diagram 3 and the Air to Water Heat Pump Installation Manual. The supply cable must be via the Heat Pump Controls Housing, direct connection to the mains electrical supply will invalidate the guarantee and may result in a dangerous installation. The supply cable must be routed through the right hand cable gland provided and the outer sheath of the cable firmly secured by tightening the screw on the cable gland. The recommended cable type is 2.5mm<sup>2</sup> 3 core heat resistant sheathed.
- 4.6 The thermal sensor should be connected to the Heat Pump Controls Housing in accordance with Diagram 3 and the Air to Water Heat Pump Installation Manual.

The cable to the thermal sensor must be routed through the left hand cable gland provided and the outer sheath of the cable firmly secured by tightening the screw on the cable gland. The sensor cable should be 0.75mm<sup>2</sup> 2 core + shield (ground) with a maximum current rating of 100mA. The cable should not be longer than 5 metres.

- 4.7 Replace the terminal cover before operating.
- 4.8 **DO NOT** heat the unit until the water cylinder has been completely filled with water.
- 4.9 Thermal control of the water cylinder is done by the Hydro Unit controls. Refer to the Air to Water Heat Pump Installation Manual for instructions for setting the hot water storage temperature.
- 4.10 The electrical supply from the Air to Water Heat Pump to the cylinder heater incorporates an over-temperature thermal cut-out that will switch off the cylinder heater in the event of a thermal control failure. **DO NOT** bypass the thermal cut-out in any circumstances.



EN

## 5.0 COMMISSIONING

**WARNING:** Water that is left standing in a stainless steel water cylinder for long periods without draw off will become de-oxygenated and potentially corrode the vessel material. If the installation is to be left unused following installation and commissioning the water cylinder should be drained or regularly (once per week) flushed through with fresh mains water.

When placing the unit into service the procedure for filling the unit and the system checks detailed below should be repeated.

- 5.1 **DO NOT** switch on the Air to Water Heat Pump until the unit has been filled with water and checked for leaks.
- 5.2 Check that all installation, electrical and discharge pipe requirements have been met.
- 5.3 Check that all water and electrical connections are correctly made and are tight.
- 5.4 Open a hot tap supplied by the unit, turn on the cold water supply to the unit.
- 5.5 Allow the unit to fill and leave the hot tap running for a short while to purge any air and flush out the pipework. Close the hot tap.
- 5.6 Open successive hot taps to purge any air from the system.
- 5.7 With all hot taps closed, check the system for water leaks and rectify as necessary.

- 5.8 Manually test the operation of the Pressure Relief Valve. Ensure water flows freely from the valve and through the discharge pipe.
- 5.9 Fill the primary circuit following the “Water Pipe” section in the Hydro Unit Installation Manual. Vent any trapped air by opening the air bleed point or automatic air vent.
- 5.10 Switch on the electrical supply to the Air to Water Heat Pump and ensure the programmer is set to **HOT WATER** mode. Check that any motorised valves or primary pumps are working and allow the unit to heat. The hot water temperature may be varied using the Hydro Unit remote controller, for details refer to the Air to Water Heat Pump Owners Manual.

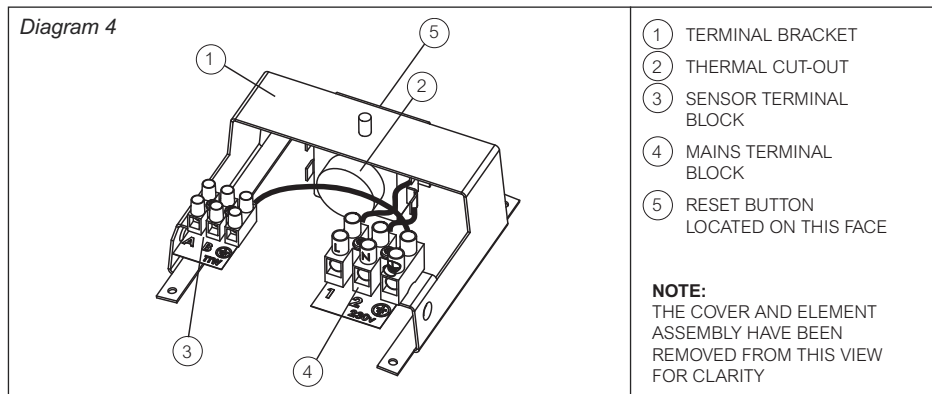
## 6.0 MAINTENANCE – DESCALING CYLINDER HEATER

---

- 6.1 Little maintenance is required, however in hard water areas the unit will require periodic descaling to ensure efficient operation. To descale the unit:
- 6.2 Switch off and disconnect the electrical supply and shut down the heat pump. Turn off the water supply to the unit.
- 6.3 Open a hot tap served by the unit to relieve any system pressure. Empty the unit by opening the drain valve in the inlet pipework.
- 6.4 Open the terminal cover. Carefully remove the thermal sensor from its pocket on the cylinder heater by pulling outwards.
- 6.5 Disconnect the link wires connecting the thermal cut-out to the cylinder heater. Carefully remove the thermal cut-out sensing bulb from its pocket on the cylinder heater by pulling outwards. Be careful not to kink the capillary tube.
- 6.6 Remove the element tail insulating shroud by pulling it outwards from the element.
- 6.7 Unscrew cylinder heater backnut. A key spanner is provided with the unit for easy removal/tightening of the cylinder heater backnut. Remove the cylinder heater from the unit. **NOTE** over time the cylinder heater gasket may become stuck to the mating surface, to break the seal insert a round bladed screwdriver into one of the pockets on the cylinder heater and gently lever up and down.
- 6.8 Carefully remove any scale from the surface of the element. **DO NOT** use a sharp implement as damage to the element surface could be caused.
- 6.9 Ensure sealing surfaces are clean and seals are undamaged. If in doubt fit a new gasket.
- 6.10 Replace cylinder heater ensuring the element tails are in the **VERTICAL** plane (see Diagram 3). Secure in place by re-fitting cylinder heater backnut and tightening. It may be helpful to support the cylinder heater using a round bladed screwdriver inserted into one of the element pockets whilst the backnut is being tightened.
- 6.11 Replace the element tail insulating shroud by carefully pushing over the element tails until it sits flush with the face of the element mounting plate.
- 6.12 Replace the thermal cut-out capillary in the **LEFT HAND** pocket of the cylinder heater. Ensure it is fully inserted and that the capillary tube is not kinked. Ensure the capillary tube is routed such that it does not come into contact with the element tails.

**EN**

- 6.13 Replace the thermal sensor into the **LEFT HAND** pocket of the cylinder heater behind the thermal cut-out. Ensure it is fully inserted, and the securing grommet is pushed into the open end of the pocket.
- 6.14 Refit the cylinder heater wiring links by inserting the male terminations into the female terminals on the element tails in accordance with Diagram 3. Check all wiring terminations are tight and secure. Replace and secure the terminal cover.
- 6.15 **DO NOT SWITCH ON EITHER THE AIR TO WATER HEAT PUMP OR CYLINDER HEATER UNTIL THE UNIT HAS BEEN RE-FILLED WITH WATER.** Re-commission the unit following the Installation and **COMMISSIONING** instructions.



## 7.0 MAINTENANCE – SAFETY VALVES

EN

- 7.1 The Pressure Relief Valve and any other safety valves fitted should be regularly checked for correct operation.
- 7.2 Manually operate the valve(s) and ensure that water flows freely from the valve and through the discharge pipe. **NOTE:** the water discharged may be very hot. Ensure the valve re-seats correctly when released.

## 8.0 USER INSTRUCTIONS

- 8.1 The water storage temperature at the Air to Water Heat Pump System Water Cylinder is set at the control panel of the Hydro Unit. This can be set to give temperatures in the range of 40°C to 75°C, 60°C is recommended. Refer to the Hydro Unit Installation Manual for details of how to adjust the storage temperature should this be necessary.
- 8.2 To avoid any risk of freezing when the cylinder is not in use for long periods during the winter months, it is recommended that the Air to Water Heat Pump primary supply and the cylinder heater are switched off and the water cylinder is drained. **NOTE:** this will not protect other parts of the system pipework. If this is done the water cylinder must be fully re-commissioned prior to switching on the Air to Water Heat Pump and cylinder heater or damage may be caused.
- 8.3 To ensure the water cylinder continues to operate at its optimum performance it should periodically be maintained in accordance with the instructions given under the sections headed **MAINTENANCE**.



8.4 IMPORTANT NOTES TO THE USER

- Do not block or restrict the discharge from any safety valve fitted.
- Do not tamper with any safety valve fitted.
- Do not bypass the thermal cut-out in any circumstances.
- If a fault is suspected contact a qualified engineer to check the system.

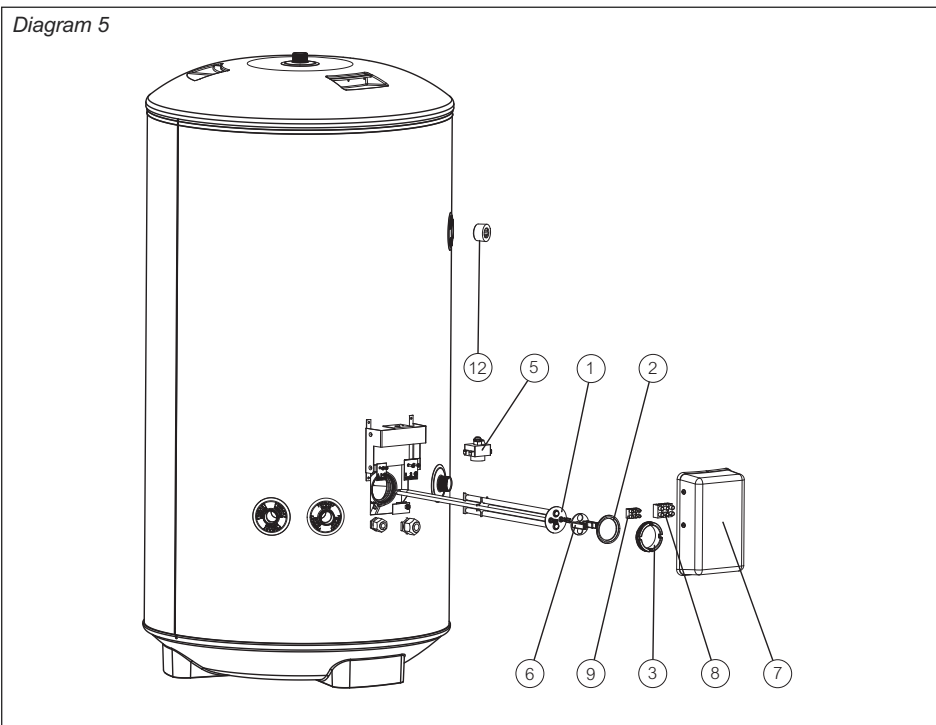
## 9.0 SPARE PARTS

9.1 The following list of spare parts is available for the Air to Water Heat Pump water cylinder. Refer to the technical data label on the unit to identify the model installed and to ensure the correct parts are ordered.

9.2 **DO NOT** replace with parts not recommended by the manufacturer as this will invalidate your guarantee and may render the installation dangerous.

9.3	Description	Part No.
①	Cylinder heater .....	95:606:967
②	Cylinder heater gasket.....	95:611:012
③	Cylinder heater backnut.....	95:607:118
	Cylinder heater key spanner.....	95:607:119
⑤	Thermal cut-out (cylinder heater) .....	95:612:038
⑥	Element tail insulating shroud.....	95:607:115
⑦	Terminal cover .....	95:614:109
⑧	Terminal block (cylinder heater connection).....	95:607:113
⑨	Terminal block (thermal sensor connection).....	95:607:114
	Thermal sensor.....	95:612:037
	Set of compression nuts and olives.....	95:607:116
⑫	Secondary re-circulation connection plug .....	95:607:117
	Safety Group .....	95:605:073

EN



## 10.0 FAULT FINDING

The table below lists some common faults, their possible causes and their remedy. Any servicing of the water cylinder and Air to Water Heat Pump system must be carried out by a trained competent installer.

FAULT	POSSIBLE CAUSE	REMEDY
<b>No hot water flow</b>	1. Mains water supply off	1. Check and turn on mains water supply
	2. Mains water filter (if fitted) blocked	2. Turn off water supply. Remove filter and clean in accordance with manufacturers instructions
	3. Inlet water control valves incorrectly fitted	3. Check and refit as required
<b>Water from hot taps is cold</b>	1. Controller on Heat Pump Hydro Unit set to Space Heating only	1. Check setting
	2. Heat Pump not working	2. Check operation of Heat Pump. If a fault is suspected consult the Heat Pump Manual
	3. Faulty water cylinder temperature sensor	3. Check sensor operation. Replace if necessary
<b>Water from hot taps is only warm</b>	1. Cylinder heater thermal cut-out has operated	1. Check. Reset by pushing button on cut-out
	2. Faulty water cylinder temperature sensor	2. Check sensor operation. Replace if necessary
<b>Water from hot taps is too hot</b>	1. Water storage temperature on Heat Pump Controller is set too high	1. Check and adjust as required
	2. Faulty water cylinder temperature sensor	2. Check sensor operation. Replace if necessary
<b>Water discharges from Pressure Relief Valve continually</b>	1. Mains water pressure too high	1. Refer to section Important Installation Points for correct pressure. If necessary fit a Pressure Reducing Valve to inlet water supply
	2. Pressure Relief Valve seat is damaged	2. Remove and replace

**EN**

## 11.0 GUARANTEE

---

For warranty details please contact your ESTIA Heat Pump supplier.

This water cylinder is guaranteed provided that:

- 11.1 The unit has been installed in accordance with these instructions and all necessary inlet controls and safety valves have been fitted correctly.
- 11.2 Any valves or controls are of the manufacturers recommended type.
- 11.3 The unit has not been tampered with and has been regularly maintained as detailed in these instructions.
- 11.4 The unit has been used only for heating potable water (max. 250mg/l chloride).
- 11.5 The unit has not been subjected to high chloride levels in the water supply or incorrect disinfection methods.
- 11.6 Following commissioning the unit is put into service within a period of 7 days. If this is not the case it must either be drained or regularly flushed as required in the section "Commissioning – Warning".
- 11.7 The unit is **NOT** guaranteed against damage by frost or due to build up of scale.
- 11.8 This guarantee does not affect the statutory rights of the consumer.

This guarantee **DOES NOT** cover the ESTIA Air to Water Heat Pump Outdoor Unit or ESTIA Hydro Unit.

EN

## 12.0 ENVIRONMENTAL INFORMATION

---

- 12.1 This product is manufactured from many recyclable materials. At the end of its useful life it should be disposed of at a Local Authority Recycling Centre to realise the full environmental benefits.
- 12.2 The insulation material is CFC/HCFC free expanded polyurethane foam with an ozone depletion factor of zero.

**The pace of product development is such that we reserve the right to change product specifications without notice. We do, however, strive to ensure that all information in this leaflet is accurate at the time of publication.**

## IMPORTANT INFORMATION AND WARNING

**READ BEFORE INSTALLING THE UNIT. KEEP IN A SAFE PLACE. THE INFORMATION IN THE FOLLOWING NOTES IS NEEDED FOR THE END OF LIFE DISPOSAL OR REUSE OF THE UNIT.**

- We are very sensitive to the environment and welcome the 2002/96/EC WEEE (Waste Electrical and Electronic Equipment) Directive.
- This product is compliant with EU Directive 2002/96/EC. It must be collected separately after its use is completed and must not be disposed of as unsorted municipal waste.
- The objectives of the EU Directive 2002/96/EC are to tackle the fast increasing waste stream of electrical and electronic equipment, increase the recycling of electric and electronic equipment (“EEE”), and to limit the total quantity of waste EEE (“WEEE”) going to disposal.
- The crossed out wheeled bin symbol that is affixed to the product indicates that this product may fall under the Directive.
- The user is responsible for returning the product to the appropriate collection facility as specified by your municipality or the distributor. In case of installation of a new product, it may be possible to have the distributor pick up old WEEE directly.
- The producer, importer and distributor are responsible for collection and treatment of WEEE, either directly or through a collective system. The distributor for your country is shown below.
- In case of violation of the Directive, sanctions are set in each country.
- We are in general following the CECED interpretation which considers the WEEE Directive applicable to Portable units, De-humidifiers, WRACs (Window Room Air to Water Heat Pumps), Split systems up to 12kW, plug in refrigerators and freezers.
- Nevertheless, there may be differences among various member state laws. In cases where national laws exclude some products from the WEEE scope, those laws must be followed. In countries where these products are not covered by the WEEE scope the WEEE obligations do not have to be followed.
- The WEEE Directive does not apply to products sold outside the European Community. In these cases the WEEE obligations do not have to be followed, however compliance with any local regulations must be ensured.
- For additional information please contact the municipal facility, the shop/dealer/distributor/installer that has sold the product, or the producer.

EN



## SYSTÈME DE POMPE À CHALEUR AIR-EAU

# BALLON D'EAU DOMESTIQUE (NON RACCORDÉ) FERMÉ EN SORTIE - MÉTHODE DE CHAUFFAGE INDIRECTE

## MANUEL D'INSTALLATION ET DE RÉPARATION

**FR**

### IMPORTANT

VEUILLEZ LIRE ET COMPRENDRE CES INSTRUCTIONS AVANT D'INSTALLER LE BALLON D'EAU. UNE INSTALLATION INCORRECTE PEUT ANNULER LA GARANTIE. LE BALLON D'EAU DOIT ÊTRE INSTALLÉ PAR UN INSTALLATEUR QUALIFIÉ SELON LES RÈGLES DE PLOMBERIE, DE CONSTRUCTION ET ÉLECTRIQUES LOCALES. VEUILLEZ RANGER CE MANUEL AVEC L'UNITÉ POUR TOUTE CONSULTATION ULTÉRIEURE.

### CARACTÉRISTIQUES TECHNIQUES

Pression nominale	1,0 MPa (10 bar)
Pression d'essai (hydraulique)	1,5 MPa (15 bar)
Pression d'alimentation minimale recommandée	0,1 MPa (1 bar)
Pression de travail du circuit principal	0,35 MPa (3,5 bar)
Puissance électrique (chauffe-ballon)	2,75 kW à 230 V~
Poids (plein)	150 litres indirect 181 kg
	210 litres indirect 251 kg
	300 litres indirect 360 kg

### COMPOSANTS FOURNIS

- Ballon d'eau comprenant un chauffe-ballon électrique et des contrôles thermiques.
- Groupe de sécurité intégrant une soupape de surpression, une soupape de vérification (sans retour) et une soupape d'isolation.
- Écrous et olives de compression.
- Clé de chauffe-ballon.

## 1.0 POINTS IMPORTANTS CONCERNANT L'INSTALLATION

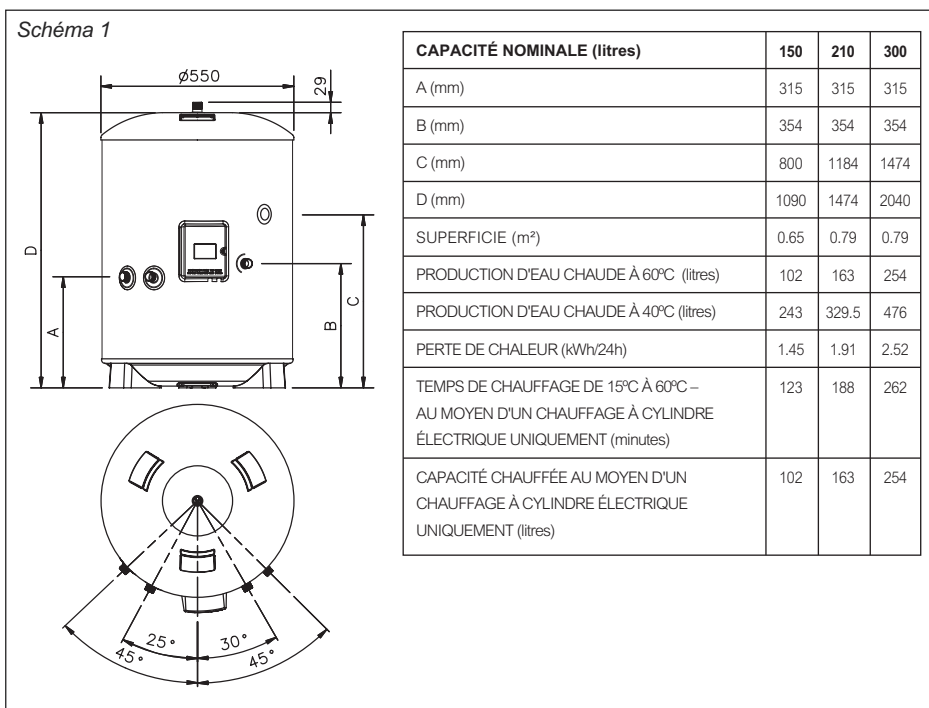
- 1.1 Cet appareil, à utiliser avec le système de pompe à chaleur air/eau ESTIA, est un cylindre à eau non raccordé conçu à cet effet.
- 1.2 Le ballon d'eau **DOIT** être équipé d'une soupape de surpression conforme aux règlements locaux de plomberie et de construction. **LE DÉFAUT DE FOURNITURE D'UN DISPOSITIF DE DÉCOMPRESSION ADAPTÉ ANNULERA TOUTE GARANTIE ET RENDRA L'INSTALLATION DANGEREUSE.**
- 1.3 Si la pression d'admission dépasse 0,6 MPa (6 bar), un détendeur de pression (réglé à 0,5 MPa (5 bar) au maximum) doit être monté sur la ligne d'admission du ballon d'eau. **II NE DOIT PAS** être monté entre la soupape de décharge et le ballon d'eau.
- 1.4 Un clapet de non-retour doit être monté sur la ligne d'alimentation du ballon d'eau. **II NE DOIT PAS** être monté entre la soupape de décharge et le ballon d'eau.
- 1.5 Cet appareil n'est pas destiné à un usage par des personnes (y compris les enfants) à capacités physiques, sensorielles ou mentales réduites, ou ayant un manque d'expérience ou de connaissances, à moins qu'ils bénéficient d'une supervision ou d'instructions relatives à l'utilisation de l'appareil par une personne responsable de leur sécurité. Les enfants doivent être surveillés pour garantir qu'ils ne jouent pas avec l'appareil.

## 2.0 INSTALLATION - CONDITIONS GÉNÉRALES

FR

- 2.1 Les règles nationales de câblage peuvent contenir des restrictions au sujet de l'installation de ces unités dans certaines zones, par exemple. Salles de bains.
- 2.2 L'unité **DOIT** être installée verticalement.
- 2.3 L'unité doit être placée sur une surface de niveau.
- 2.4 Se référer au schéma 1 et au Tableau des dimensions pour déterminer une position appropriée du ballon d'eau.
- 2.5 **NOTE** : assurez-vous que le plancher peut supporter le poids total de l'unité (voir les **CARACTÉRISTIQUES TECHNIQUES**).
- 2.6 **NE PAS** installer dans un endroit où l'unité peut geler.
- 2.7 L'adduction d'eau peut ensuite fournir l'eau chaude et l'eau froide simultanément en fonction des besoins. Il est conseillé d'évaluer la demande d'eau maximale et de vérifier l'adduction d'eau pour faire en sorte que cette demande soit satisfaite. **REMARQUE** : une pression élevée de l'adduction d'eau n'est pas toujours la garantie d'un débit important. Nous suggérons une exigence minimale en termes de pression d'adduction d'eau de 0,1 MPa (1,0 bar) et un débit de 20 litres par minute. Toutefois, à ces valeurs, le débit de sortie peut être faible si plusieurs sorties sont utilisées simultanément. Plus la pression et le débit disponibles sont élevés, meilleure sera la performance du système.
- 2.8 **LIMITES** :  
le ballon d'eau ne devrait pas être utilisé dans les situations suivantes :
  - Lorsque la maintenance est susceptible d'être négligée ou les dispositifs de sécurité endommagés.

- Lorsque l'adduction d'eau n'offre pas une pression satisfaisante ou peut être intermittente.
- Lorsqu'il n'est pas possible d'évacuer les eaux usées des soupapes de sécurité.
- Dans les régions où l'adduction d'eau contient régulièrement une proportion élevée de solides ou de particules en suspension, sauf si un filtrage adéquat peut être assuré au niveau de l'arrivée d'eau.

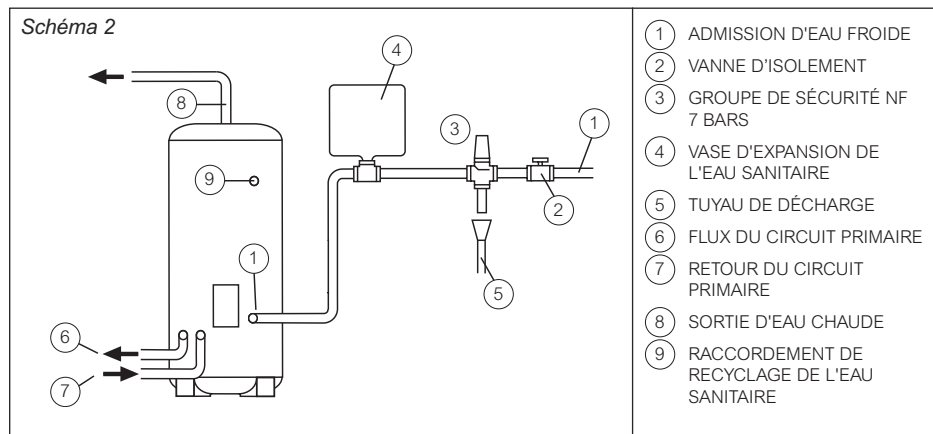


FR

### 3.0 INSTALLATION - PLOMBERIE

- 3.1 Se référer à la section **POINTS IMPORTANTS CONCERNANT L'INSTALLATION**. Montez les vannes selon la séquence indiquée par le schéma 2. Assurez-vous que les vannes sont installées et orientées correctement conformément aux directions des flèches de débit marquées sur les vannes. Le ballon d'eau **DOIT** être équipé d'une soupape de surpression conforme aux règlements locaux de plomberie et de construction (fournie par le Groupe de sécurité). **LE DÉFAUT DE FOURNITURE D'UN DISPOSITIF DE DÉCOMPRESSION ADAPTÉ ANNULERA TOUTE GARANTIE ET RENDRA L'INSTALLATION DANGEREUSE**. Toute tuyauterie de décharge branchée à la soupape de décharge doit être installée dans un sens descendant sans interruption, dans un environnement sans gel.
- 3.2 Les raccordements d'eau sur l'unité acceptent la connexion directe des tuyauteries de diamètre extérieur de 22 mm ; des écrous et olives sont fournis à cette fin. Le filetage des raccordements est G3/4 pour permettre l'utilisation des raccordements G3/4 si nécessaire. **NE PAS** utiliser de canalisations d'eau enrobées de zinc. En cas d'utilisation de canalisations en acier, celles-ci doivent être isolées de la cuve en acier inoxydable à l'aide de raccords diélectriques.
- 3.3 **L'ADMISSION** sanitaire de l'eau est marquée en **BLEU**, la **SORTIE** est marquée en **ROUGE**. Plusieurs sorties chaudes peuvent être alimentées, cependant, il faut considérer les différentes demandes en eau chaude du site pour déterminer la capacité et le nombre de sorties à alimenter.

- 3.4 Recommandé qu'une vanne d'isolement soit montée sur l'alimentation d'eau froide du ballon d'eau.
- 3.5 Un robinet de purge doit être monté au-dessous du ballon d'eau au niveau de la canalisation d'admission. Il doit être placé entre le ballon d'eau et le clapet anti-retour.
- 3.6 Un vase d'expansion du circuit sanitaire peut être monté sur l'alimentation en eau froide selon les indications du schéma 2 pour éviter le gaspillage de l'eau d'expansion. Les dimensions suivantes sont préconisées :  
 150 litres vase d'expansion de 12 litres  
 210 litres vase d'expansion de 18 litres  
 300 litres vase d'expansion de 24 litres
- 3.7 Un circuit de recyclage peut être installé sur le circuit d'eau sanitaire. Un raccordement est fourni pour le tuyau de retour du circuit de recyclage (femelle fileté G3/4).
- 3.8 E circuit de chauffage primaire **DOIT** être relié via Hydro Unit. Se référer aux instructions d'installation fournies avec Hydro Unit pour des informations détaillées complètes.



FR

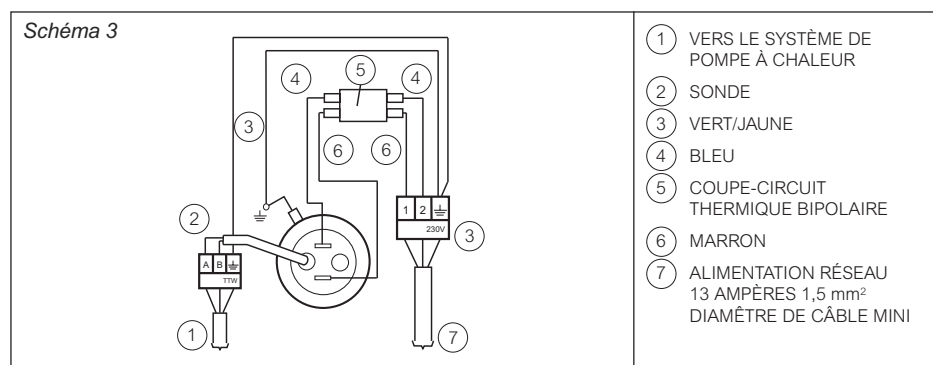
## 4.0 CARACTÉRISTIQUES ÉLECTRIQUES

- 4.1 L'unité est fournie avec un chauffe-ballon complet monté en usine avec un détecteur thermique et le coupe-circuit de surchauffe. Le chauffe-ballon est calibré sur 2,75 kW à 230 Vca.
- 4.2 Le chauffe-ballon est situé derrière le cache du terminal blanc sur l'avant de l'unité. Le capot est fixé par 2 vis de chaque côté et par un écrou à dôme fileté sur l'avant du capot. **ISOLER L'ALIMENTATION ÉLECTRIQUE AVANT D'ENLEVER LE CACHE.**
- 4.3 Le chauffe-ballon **DOIT** être relié à la terre.
- 4.4 L'intégralité du câblage électrique doit être réalisée par un électricien compétent et conformément aux plus récentes réglementations de câblage nationales. Le circuit doit être protégé par un fusible approprié et un commutateur d'isolement bipolaire avec une séparation des contacts supérieure à 3mm entre les deux pôles.
- 4.5 Le chauffe-ballon doit être câblé selon le schéma 3 et le manuel d'installation de pompe à chaleur. Le câble d'alimentation doit passer par le boîtier de commandes



de pompe à chaleur, la connexion directe au réseau électrique annulera la garantie et pourrait rendre l'installation dangereuse. Le câble d'alimentation doit passer par le presse-étoupe droit fourni et la gaine externe du câble fermement maintenue en serrant la vis du presse-étoupe.

- 4.6 La sonde thermique doit être reliée au boîtier de commande de pompe à chaleur selon le schéma 3 et le manuel d'installation de pompe à chaleur. Le câble de la sonde thermique doit passer par le presse-étoupe de gauche fourni et la gaine externe du câble fermement maintenue en serrant la vis sur le presse-étoupe.
- 4.7 Remplacez le cache de la borne avant utilisation.
- 4.8 **NE PAS** mettre l'unité en chauffe tant que le ballon d'eau n'a pas été complètement rempli d'eau.
- 4.9 Le contrôle thermique du ballon d'eau est assuré par les commandes de l'Hydro Unit. Reportez-vous au Guide d'installation de la pompe à chaleur air-eau pour obtenir des instructions concernant le réglage de la température d'eau de stockage.
- 4.10 L'alimentation électrique de la pompe à chaleur au chauffe-ballon incorpore un coupe-circuit thermique de surchauffe qui coupe le chauffe-ballon en cas de défaillance du contrôle de température. **NE PAS** court-circuiter le coupe-circuit thermique, en aucune circonstance.



FR

## 5.0 MISE EN SERVICE

**ATTENTION : de l'eau laissée stagnante dans un ballon d'eau en acier inoxydable pendant de longues périodes sans être purgée peut se désoxygéner et potentiellement corroder le matériau du réservoir. Si l'installation doit rester inutilisée après l'installation et la mise en route, le ballon d'eau doit être vidangé ou régulièrement purgé (une fois par semaine) via l'alimentation en eau fraîche.**

**Lors de la mise en place de l'unité, la procédure relative à son remplissage et aux contrôles du système détaillée ci-dessous doit être répétée.**

- 5.1 **NE PAS** mettre sous tension la pompe à chaleur tant que l'unité n'a pas été remplie d'eau et examinée pour déceler les fuites.
- 5.2 Contrôlez que toutes les conditions d'installation, électriques et de décharge ont été respectées.
- 5.3 Contrôlez que tous les raccordements hydrauliques et électriques sont correctement réalisés et sont serrés.
- 5.4 Ouvrez un robinet d'eau chaude fournie par l'unité, ouvrez l'eau froide fournie à l'unité.

- 5.5 Laissez l'unité se remplir et laissez le robinet d'eau chaude couler pendant un moment pour purger l'air et nettoyer la tuyauterie. Refermez le robinet d'eau chaude.
- 5.6 Ouvrez les robinets d'eau chaude successivement pour purger tout l'air du système.
- 5.7 Avec tous les robinets d'eau chaude fermés, examinez le système pour déceler des fuites d'eau et les colmater si nécessaire.
- 5.8 Testez manuellement le fonctionnement de la soupape de décharge. Assurez-vous que l'eau s'écoule librement de la vanne et à travers la tuyauterie de décharge.
- 5.9 Remplissez le circuit primaire conformément à la section "Canalisation d'eau" du Guide d'installation de l'Hydro Unit. Évacuez l'air éventuellement piégé en ouvrant la purge d'air ou la ventilation automatique.
- 5.10 Mettez sous tension l'alimentation de la pompe à chaleur et assurez-vous que le programmateur est réglé sur le mode **EAU CHAUDE**. Vérifiez que toutes les vannes motorisées ou pompes primaires fonctionnent et permettent à l'unité de chauffer. La température de l'eau chaude peut être modulée à l'aide de la télécommande de l'Hydro Unit. Pour plus de détails, reportez-vous au Guide du propriétaire de la pompe à chaleur air-eau.

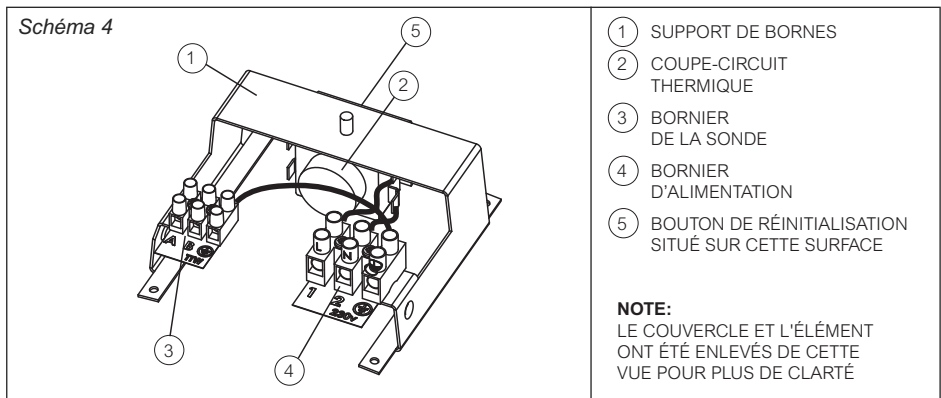
## 6.0 MAINTENANCE - DÉTARTRAGE DU CHAUFFE-BALLON

- 6.1 Peu d'entretien est nécessaire, toutefois dans des zones où l'eau est calcaire, l'unité exige un détartrage périodique pour assurer un fonctionnement efficace. Pour détartrer l'unité :
- 6.2 Éteignez et débranchez l'alimentation électrique et arrêtez la pompe à chaleur. Coupez l'approvisionnement en eau à l'unité.
- 6.3 Ouvrez un robinet d'eau chaude fournie par l'unité pour relâcher toute pression du système. Purgez l'unité en ouvrant la soupape de vidange au niveau de la canalisation d'admission.
- 6.4 Ouvrez le cache des bornes. Déconnectez les fils reliant le coupe-circuit thermique au chauffe-ballon. Enlevez soigneusement la sonde thermique de son emplacement sur le chauffe-ballon en la tirant vers l'extérieur.
- 6.5 Enlevez soigneusement le coupe-circuit thermique détectant l'ampoule de l'emplacement sur le chauffe-ballon en le tirant vers l'extérieur. Faites attention à ne pas entortiller le tube capillaire.
- 6.6 Enlevez la monture isolante de l'élément en la tirant vers l'extérieur de l'élément.
- 6.7 Dévissez le contre-écrou du chauffe-ballon. Une clé est fournie avec l'unité pour faciliter le déplacement/le serrage du contre-écrou du chauffe-ballon. Enlevez le chauffe-ballon de l'unité. Sachez qu'avec le temps, le joint du chauffe-ballon peut adhérer à la surface de contact. Pour casser le joint, insérez un tournevis à lames rond dans l'un des emplacements sur le chauffe-ballon et soulevez-le doucement à l'aide d'un levier par des mouvements oscillants.
- 6.8 Enlevez soigneusement toute trace de calcaire de la surface de l'élément. **NE PAS** utiliser d'outil pointu qui pourrait endommager la surface de l'élément.

FR

- 6.9 Assurez-vous que les surfaces d'étanchéité sont propres et les joints intacts. En cas de doute, montez un nouveau joint.
- 6.10 Remettez le chauffe-ballon en vous assurant que les tiges de l'élément se situent dans le plan **VERTICAL** (vois schéma 3). Fixez en place en remettant le contre-écrou du chauffe-ballon et en le serrant. Il peut être utile de soutenir le chauffe-ballon à l'aide d'un tournevis à lames rond inséré dans l'un des emplacements de l'élément pendant le serrage du contre-écrou.
- 6.11 Remplacez la monture isolante de tige d'élément en poussant soigneusement sur des tiges jusqu'à ce qu'elle repose à affleurement sur la surface du support de montage de l'élément.
- 6.12 Remplacez le tube capillaire de coupure thermique dans la poche **GAUCHE** du chauffe-ballon. Assurez-vous qu'il est parfaitement inséré et que le tube capillaire n'est pas tordu. Vérifiez que le tube capillaire est orienté de telle manière qu'il n'entre pas en contact avec les rejets de l'élément.
- 6.13 Remplacez le capteur thermique dans la poche **GAUCHE** du chauffe-ballon, en aval de la coupure thermique. Assurez-vous qu'il est parfaitement inséré et que le guide de sécurité pénètre dans l'extrémité ouverte de la poche.
- 6.14 Repositionnez les câbles du chauffe-ballon en insérant les terminaisons mâles dans les terminaisons femelles sur les tiges de l'élément selon le schéma 3. Vérifiez que toutes les terminaisons de câblage sont serrées et bloquées. Remplacez et fixez le cache des bornes.
- 6.15 **NE PAS BRANCHER LA POMPE À CHALEUR OU LE CHAUFFE-BALLON TANT QUE L'UNITÉ N'A PAS ÉTÉ REMPLIE D'EAU.** Remettez l'unité en service en suivant les instructions d'installation et de **MISE EN SERVICE**.

**FR**



## 7.0 MAINTENANCE - SOUPAPES DE SÛRETÉ

---

- 7.1 La soupape de décharge et toutes les autres soupapes de sûreté montées doivent être régulièrement examinées pour assurer un fonctionnement correct.
- 7.2 Actionnez manuellement les vannes et assurez-vous que l'eau s'écoule librement de la vanne et à travers la tuyauterie de décharge. **REMARQUE :** l'eau déchargée peut être très chaude. Assurez-vous que la vanne se repositionne correctement une fois libérée.

## 8.0 INSTRUCTIONS D'UTILISATEUR

---

- 8.1 La température de stockage de l'eau dans le ballon d'eau du système de pompe à chaleur air-eau est réglée sur le panneau de commande de l'Hydro Unit. On peut la régler de manière à obtenir une température située entre 45°C et 75°C ; la température recommandée est de 60°C. Reportez-vous au Guide d'installation de l'Hydro Unit pour plus de détails sur le réglage de la température de stockage au besoin.
- 8.2 Pour éviter les risques de gel lorsque le chauffe-ballon reste inutilisé pendant de longues périodes au cours des mois d'hiver, il est recommandé de déconnecter l'alimentation primaire de la pompe à chaleur et le dispositif chauffant à immersion, puis de vidanger le ballon d'eau . **REMARQUE :** cela ne protège pas les autres éléments du réseau de canalisations. Si vous faites cela, le ballon d'eau devra être entièrement remis en service avant la mise en marche de la pompe à chaleur et du dispositif de chauffage à immersion ; dans le cas contraire, le système pourrait être endommagé.
- 8.3 Afin de garantir le niveau de fonctionnement optimal du ballon d'eau, il doit régulièrement être entretenu selon les instructions indiquées dans les différentes sections **MAINTENANCE**.
- 8.4 **NOTES IMPORTANTES À DESTINATION DE L'UTILISATEUR**
- **Ne bloquer ou limiter la décharge d'aucune soupape de sûreté montée.**
  - **Ne manipuler aucune soupape de sûreté montée.**
  - **Ne court-circuiter le coupe-circuit thermique en aucune circonstance.**
  - **Si un défaut est suspecté, contacter un technicien qualifié pour contrôler le système.**

FR

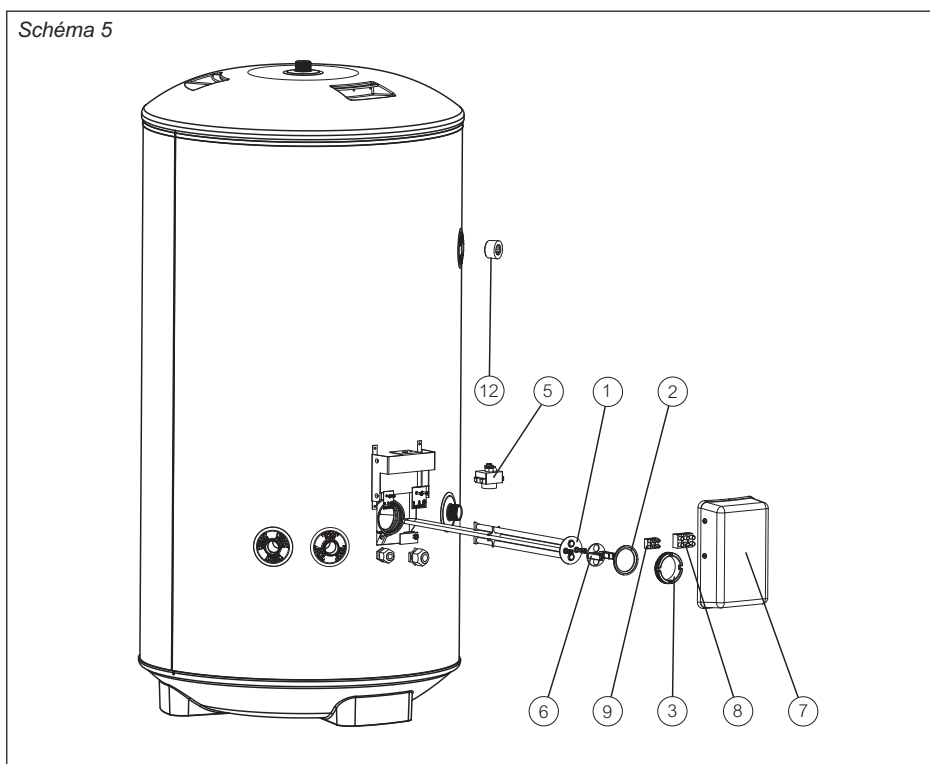
## 9.0 PIÈCES DE RECHANGE

9.1 La liste suivante de pièces de rechange est disponible pour le ballon d'eau à pompe à chaleur. Référez-vous à l'étiquette des caractéristiques techniques située sur l'unité pour identifier le modèle installé et pour vous assurer que les pièces correctes sont commandées.

9.2 **NE** remplacez **PAS** par des pièces non recommandées par le fabricant car ceci annulerait votre garantie et rendrait l'installation dangereuse.

9.3	Description	N° de pièce
	① Chauffe-ballon .....	95:606:967
	② Joint de chauffe-ballon.....	95:611:012
	③ Contre-écrou de chauffe-ballon .....	95:607:118
	Clé de chauffe-ballon .....	95:607:119
	⑤ Coupe-circuit thermique (chauffe-ballon).....	95:612:038
	⑥ Monture isolante de tige d'élément .....	95:607:115
	⑦ Cache de bornes .....	95:614:109
	⑧ Bornier (raccordement du chauffe-ballon).....	95:607:113
	⑨ Bornier (raccordement de la sonde thermique).....	95:607:114
	Sonde thermique .....	95:612:037
	Ensemble d'écrous et d'olives de compression .....	95:607:116
	⑫ Prise secondaire de raccordement de recyclage .....	95:607:117
	Groupe de sécurité.....	95:605:073

Schéma 5



FR

## 10.0 DÉTERMINATION DES DÉFAUTS

Le tableau ci-dessous répertorie quelques défauts courants, leurs origines possibles et leur remède. Toute opération de maintenance du système ballon d'eau et pompe à chaleur doit être effectuée par un installateur parfaitement qualifié.

DÉFAUT	CAUSE POSSIBLE	REMÈDE
<b>Aucun écoulement d'eau chaude</b>	1. Coupure de l'alimentation en eau	1. Vérifiez et ouvrez l'approvisionnement en eau
	2. Filtre d'alimentation d'eau (si monté) obturé	2. Coupez l'approvisionnement en eau. Enlevez le filtre et nettoyez selon des instructions indiquées par les fabricants
	3. Soupapes de commande d'admission d'eau montées de manière incorrecte	3. Vérifiez et remontez si nécessaire
<b>L'eau des robinets d'eau chaude est froide</b>	1. Le contrôleur sur la pompe à chaleur l'Hydro Unit est réglé sur chauffage des locaux uniquement	1. Vérifiez le réglage
	2. La pompe à chaleur ne fonctionne pas	2. Vérifiez le fonctionnement de la pompe à chaleur. Si un défaut est suspecté, consultez le manuel de la pompe à chaleur
	3. Sonde de température de ballon d'eau défectueuse	3. Vérifiez le fonctionnement de la sonde. Remplacez-la au besoin
<b>L'eau des robinets d'eau chaude est tiède</b>	1. Le coupe-circuit thermique du chauffe-ballon s'est enclenché	1. Contrôlez. Réinitialisez en appuyant sur le bouton du coupe-circuit
	2. Sonde de température de ballon d'eau défectueuse	2. Vérifiez le fonctionnement de la sonde. Remplacez-la au besoin
<b>L'eau des robinets d'eau chaude est trop chaude</b>	1. La température de stockage de l'eau est réglée sur une valeur trop élevée sur le contrôleur de pompe à chaleur	1. Vérifiez et ajustez au besoin
	2. Sonde de température de ballon d'eau défectueuse	2. Vérifiez le fonctionnement de la sonde. Remplacez-la au besoin
<b>L'eau se décharge de façon continue par la soupape de décharge</b>	1. Pression d'eau de distribution trop élevée	1. Se référer à la section Points importants concernant l'installation pour définir la pression correcte. Adaptez au besoin une vanne réduisant la pression au niveau de l'admission d'eau
	2. Le siège de la soupape de décharge est endommagé	2. Enlevez et remplacez

**FR**

## 11.0 GARANTIE

---

Pour les détails concernant la garantie, veuillez contacter votre fournisseur de pompe à chaleur ESTIA.

- 11.1 L'unité a été installée selon ces instructions et toutes les commandes d'admission et soupapes de sûreté nécessaires ont été montées correctement.
- 11.2 Toutes les vannes ou commandes sont du type préconisé par les fabricants.
- 11.3 L'unité n'a pas été démontée et a été régulièrement entretenue selon les informations détaillées dans ces instructions.
- 11.4 L'unité a été utilisée uniquement pour le chauffage d'eau potable (max. 250 mg/l de chlorure).
- 11.5 L'unité n'a pas fait l'objet de niveaux de chlorure élevés dans l'alimentation en eau, ni de méthodes de désinfection incorrectes.
- 11.6 À la suite de la mise en service, l'unité doit être mise en service dans les 7 jours. Si ce n'est pas le cas, elle doit être vidangée ou régulièrement purgée comme cela est précisé dans la partie "Mise en service - attention".
- 11.7 L'unité n'est pas garantie contre des dommages provoqués par le gel ou par l'accumulation de calcaire.
- 11.8 Cette garantie n'affecte pas les droits statutaires du consommateur.

Cette garantie **NE** couvre **PAS** l'appareil externe de la pompe à chaleur air/eau ESTIA ou l'Hydro Unit ESTIA.

FR

## 12.0 INFORMATIONS SUR L'ENVIRONNEMENT

---

- 12.1 Ce produit est fabriqué à partir de nombreux matériaux recyclables. À la fin de sa vie d'utilisation, il devrait être éliminé dans un centre de recyclage local afin de respecter les exigences environnementales.
- 12.2 Le matériel d'isolation est de la mousse de polyuréthane expansée sans CFC/HCFC sans incidence sur l'appauvrissement de la couche d'ozone.

**Le rythme du développement produit est tel que nous nous réservons le droit de modifier certaines caractéristiques produit sans information préalable. Nous tâchons, cependant, de nous assurer que toute l'information contenue dans ce livret est précise à l'heure de la publication.**

## INFORMATIONS IMPORTANTES ET AVERTISSEMENT

**VEUILLEZ LIRE AVANT TOUTE INSTALLATION DE L'APPAREIL. GARDEZ EN LIEU SÛR. LES INFORMATIONS PRÉSENTES DANS LES NOTES SUIVANTES SONT NÉCESSAIRES POUR L'ÉLIMINATION EN FIN DE VIE D'UTILISATION DE L'APPAREIL ET POUR SA RÉUTILISATION.**

- Nous sommes très sensibles à l'environnement et nous réjouissons de la Directive 2002/96/EC DEEE (Directive relative aux déchets d'équipements électriques et électroniques).
- Ce produit est conforme à la directive de l'UE 2002/96/EC. Vous devez collecter ce produit séparément après la fin de son utilisation et ne devez pas le jeter comme déchet ménager non trié.
- Les objectifs de la Directive de l'UE 2002/96/EC sont de s'attaquer au flux de déchets à croissance rapide des équipements électriques et électroniques, d'augmenter le recyclage des équipements électriques et électroniques ("EEE") et de limiter la quantité totale des déchets EEE ("DEEE") qui part à la décharge.
- Le symbole de la poubelle rayée d'une croix qui figure sur le produit indique que ce produit entre dans la catégorie de cette directive.
- L'utilisateur est responsable du renvoi du produit à l'installation de collecte appropriée, tel que le stipule votre municipalité ou votre distributeur. En cas d'installation d'un nouveau produit, il est possible d'organiser la collecte directe de votre ancien DEE par votre distributeur.
- Le producteur, l'importateur et le distributeur sont responsables de la collecte et du traitement des DEEE, que ce soit de façon directe ou par le biais d'un système collectif. Le distributeur de votre pays est indiqué ci-dessous.
- En cas de violation de la Directive, des sanctions sont prévues dans chaque pays.
- Nous respectons en général l'interprétation du CECED qui considère que la Directive DEEE est applicable aux unités portatives, aux déshumidificateurs, aux Pompes à chaleur air/eau pour les pièces avec fenêtre, aux systèmes biblocs jusqu'à 12 kW, aux réfrigérateurs et congélateurs électriques.
- Toutefois, il peut exister des différences entre les diverses lois des États membres. Dans les cas où les lois nationales excluent certains produits du champ d'application de la DEEE, ces lois doivent être respectées. Dans les pays où ces produits ne relèvent pas du champ d'application de la DEEE, les obligations de la DEEE ne doivent pas être respectées.
- La Directive DEEE ne s'applique pas aux produits vendus en dehors de la Communauté européenne. Dans ces cas-là, les obligations de la DEEE n'ont pas besoin d'être respectées, mais le respect de tout règlement local doit être assuré.
- Pour de plus amples informations, veuillez contacter les équipements municipaux, le magasin/négociant/distributeur/installateur qui vous a vendu le produit ou bien le producteur.

**FR**





## LUFT-WASSER-WÄRMEPUMPENSYSTEM

# HAUSHALTS-WASSERZYLINDER IN GESCHLOSSENER (DRUCKFESTER) AUSFÜHRUNG – INDIREKTES HEIZVERFAHREN

## INSTALLATIONS - UND WARTUNGSANLEITUNG

### WICHTIG

BITTE LESEN SIE DIE NACHFOLGENDEN ANWEISUNGEN GRÜNDLICH DURCH UND SORGEN SIE DAFÜR, DASS SIE DIESE VERSTANDEN HABEN, BEVOR SIE MIT DER INSTALLATION DES WASSERZYLINDER BEGINNEN. EINE FEHLERHAFTHE INSTALLATION KANN ZUM VERLUST VON GEWÄHRLEISTUNGSANSPRÜCHEN FÜHREN. DIE INSTALLATION DES WASSERZYLINDER MUSS VON EINEM FACHKUNDIGEN INSTALLATEUR ENTSPRECHEND DEN GELTENDEN INSTALLATIONS-, BAU- UND ELEKTROVORSCHRIFTEN DURCHGEFÜHRT WERDEN. BITTE BEWAHREN SIE DIESE ANLEITUNG IN DER NÄHE DES GERÄTS AUF, DAMIT SIE BEI BEDARF VERFÜGBAR IST.

DE

### TECHNISCHE DATEN

Nennndruck	1,0 MPa (10 bar)
Prüfdruck (hydraulisch)	1,5 MPa (15 bar)
Empfohlener Mindestversorgungsdruck	0,1 MPa (1 bar)
Max. Arbeitsdruck im Primärkreis	0,35 MPa (3,5 bar)
Nennleistung (Zylinderheizelement)	2,75 kW bei 230 V~
Gewicht (gefüllt) 150 Liter (indirekt)	181 kg
210 Liter (indirekt)	251 kg
300 Liter (indirekt)	360 kg

### LIEFERUMFANG

- Wasserzylinder mit eingebautem elektrischen Zylinderheizelement und Wärmeregulierung.
- Sicherheitsvorrichtung mit Druckbegrenzungsventil, Rückschlagventil und Absperrventil.
- Kompressionsmuttern und Schneidringe.
- Schraubenschlüssel für Zylinderheizelement.

## 1.0 WICHTIGE HINWEISE FÜR DIE INSTALLATION

---

- 1.1 Diese Einheit ist für die Verwendung mit dem ESTIA Luft-Wasser-Wärmepumpensystem vorgesehen und ist ein speziell entwickelter druckfester Wasserzylinder.
- 1.2 Der Wasserzylinder **MUSS** mit einem den örtlichen Installations- und Bauvorschriften entsprechenden Druckbegrenzungsventil ausgestattet sein. **WENN KEINE ANGEMESSENE DRUCKBEGRENZUNG VORGESEHEN WIRD, FÜHRT DIES ZUM VERLUST ALLER GEWÄHRLEISTUNGSANSPRÜCHE UND ZU EINER UNSICHEREN INSTALLATION.**
- 1.3 Falls der Zulaufdruck mehr als 0,6 MPa (6 bar) beträgt, sollte ein Druckreduzierventil (eingestellt auf max. 0,5 MPa (5 bar)) am Zulauf des Wasserzylinder angebracht werden. Dieses Ventil darf **NICHT** zwischen das Druckbegrenzungsventil und den Wasserzylinder geschaltet werden.
- 1.4 Rückschlagventil vorgesehen werden. Dieses Ventil darf **NICHT** zwischen das Druckbegrenzungsventil und den Wasserzylinder geschaltet werden.
- 1.5 Dieses Gerät ist für Personen (einschl. Kinder) mit eingeschränkten physischen, sensorischen oder psychischen Fähigkeiten bzw. ohne jegliche Erfahrung oder Vorwissen nur dann geeignet, wenn eine angemessene Aufsicht oder ausführliche Anleitung zur Benutzung des Geräts durch eine verantwortliche Person sichergestellt ist. Achten Sie darauf, dass Kinder nicht mit dem Gerät spielen.

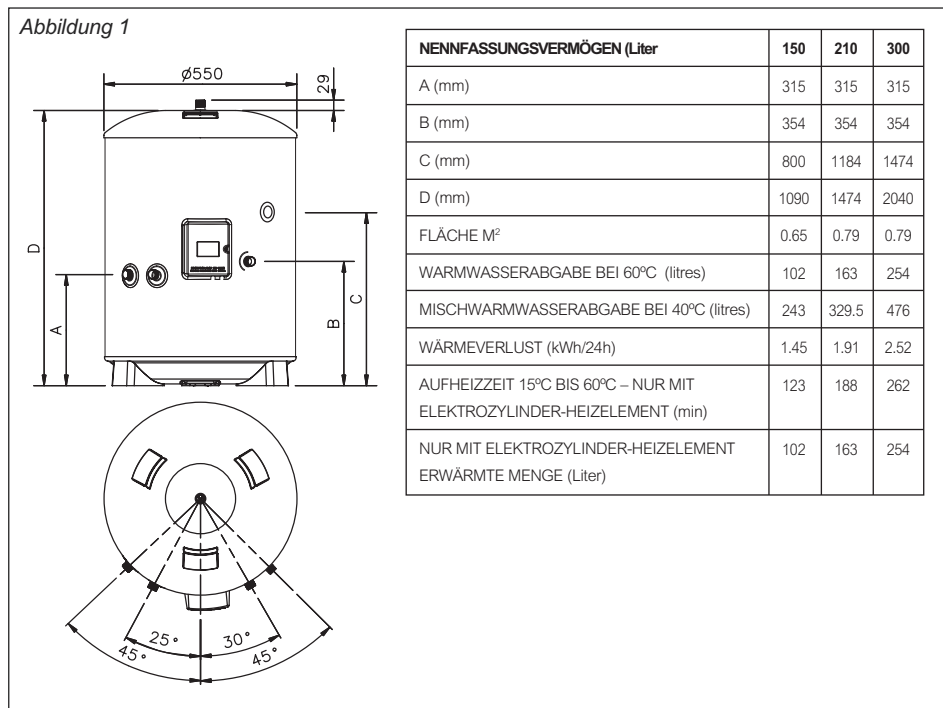
## 2.0 INSTALLATION – ALLGEMEINE ANFORDERUNGEN

---

- 2.1 Die örtlichen Installationsvorschriften können u.U. Beschränkungen hinsichtlich des Einsatzes dieser Geräte in bestimmten Bereichen enthalten, z.B. in Badezimmern.
- 2.2 Das Gerät **MUSS** vertikal installiert werden.
- 2.3 Das Gerät muss auf einer ebenen Fläche aufgestellt werden.
- 2.4 Es muss darauf geachtet werden, dass rund um das Gerät ausreichender Freiraum für Rohranschlüsse und den Zugang zu den Bedienelementen und ggf. vorgesehenen Sicherheitsventilen vorhanden ist. Eine geeignete Position für den Wasserzylinder kann anhand von Abbildung 1 und der Maßstabelle bestimmt werden.
- 2.5 **HINWEIS:** Es muss darauf geachtet werden, dass die Tragfähigkeit des Bodens für das volle Gewicht des Geräts ausreichend ist (siehe **TECHNISCHE DATEN**).
- 2.6 Der Aufstellungsort des Geräts muss frostfrei sein.
- 2.7 Die Hauptwasserzuleitung versorgt das Haus gleichzeitig mit Kalt- und Warmwasser. Es wird empfohlen, den maximalen Wasserbedarf zu bestimmen und die Wasserzuleitung zu prüfen, um sicherzustellen, dass dieser Bedarf erfüllt werden kann. **ACHTUNG:** Ein hoher Wasserdruck bedeutet nicht immer eine hohe Flussrate. Wir empfehlen einen Mindestversorgungsdruck von 0,1 MPa (1,0 bar) und eine Flussrate von mindestens 20 Liter pro Minute. Bei diesen Werten kann die Flussrate am Hahn jedoch unzureichend sein, wenn mehrere Hähne gleichzeitig verwendet werden. Je höher der verfügbare Wasserdruck und die Flussrate sind, desto höher ist die Systemleistung".
- 2.8 **EINSCHRÄNKUNGEN:**  
In folgenden Fällen sollte der Wasserzylinder nicht verwendet werden:

**DE**

- Wenn eine Vernachlässigung der Gerätewartung oder eine Manipulation der Sicherheitsvorrichtungen zu erwarten ist.
- Wenn bei der Wasserversorgung ein unzureichender Druck oder Unterbrechungen der Verfügbarkeit auftreten können.
- Wenn es nicht möglich ist, einen Ausfluss aus den Sicherheitsventilen sicher abzuleiten.
- In Bereichen, in denen die Wasserversorgung ständig einen hohen Anteil an Feststoffen oder Schwebstoffen enthält und keine ausreichende Filtration des Wasserzulaufs gewährleistet werden kann.

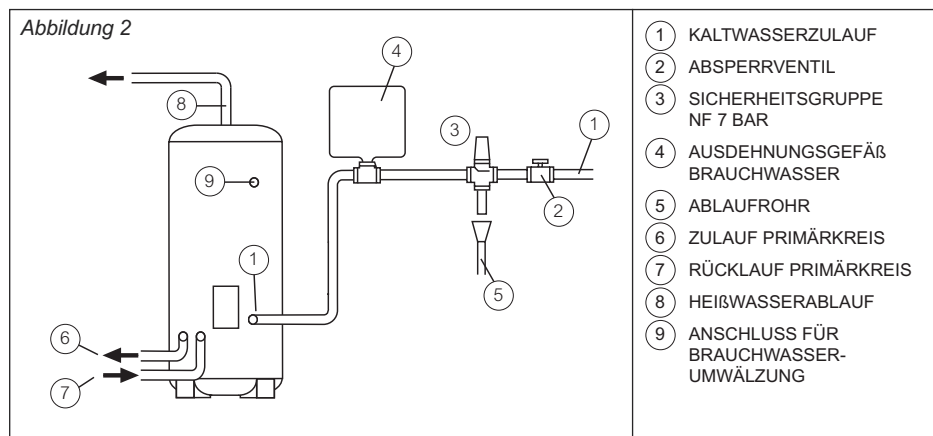


DE

### 3.0 INSTALLATION – ROHRVERLEGUNG

- 3.1 Siehe Kapitel **WICHTIGE INFORMATIONEN ZUR INSTALLATION**. Ventile in der in Abbildung 2 gezeigten Reihenfolge installieren. Es muss sichergestellt werden, dass die Ventile in der richtigen Position eingebaut werden, entsprechend den Pfeilen auf den Ventilen, die die Flussrichtung angeben. Der Wasserzylinder **MUSS** mit einem den örtlichen Installations- und Bauvorschriften entsprechenden Druckbegrenzungsventil ausgestattet sein (Sicherheitsvorrichtung mitgeliefert). **WENN KEINE ANGEMESSENE DRUCKBEGRENZUNG VORGESEHEN WIRD, FÜHRT DIES ZUM VERLUST ALLER GEWÄHRLEISTUNGSANSPRÜCHE UND ZU EINER UNSICHEREN INSTALLATION**. Jedes an die Druckbegrenzungs- und angeschlossen Ablauffrohr muss in einer kontinuierlichen Abwärtsrichtung in einer frostfreien Umgebung installiert werden.
- 3.2 Die Wasseranschlüsse am Gerät sind geeignet für den direkten Anschluss von Rohren mit einem Außendurchmesser von 22mm; die dazu benötigten Muttern und Schneidringe werden mitgeliefert. An den Anschlüssen ist ein G3/4 - Gewinde vorgesehen, so dass erforderlichenfalls Anschlüsse mit G3/4-Innengewinde verwendet werden können. **KEINE** verzinkten Wasserrohre verwenden. Bei Verwendung von Stahlrohren sind zur Trennung von Rohr und rostfreiem Stahlgefäß dielektrische Anschlussstücke zu verwenden.

- 3.3 Der Brauchwasser-**ZULAUF** ist **BLAU** gekennzeichnet, der **ABLAUF ROT**. Das Gerät kann mehrere Heißwasserentnahmestellen versorgen. Bei der Auswahl der Kapazität und der Anzahl der zu versorgenden Entnahmestellen sollten jedoch die spezifischen Bedingungen vor Ort beachtet werden.
- 3.4 Es ist empfehlenswert, ein Absperrventil an der Kaltwasserversorgung der Wasserzylinder zu installieren.
- 3.5 Unterhalb des Wasserzylinder in den Zulaufrohren ist ein Ablasshahn vorzusehen. Dieser muss zwischen dem Wasserzylinder und dem Rückschlagventil angeordnet werden.
- 3.6 Ein Ausdehnungsgefäß für den Brauchwasserkreis kann an den Kaltwasserzulauf angeschlossen werden (siehe Abbildung 2) um unnötigen Wasserverbrauch zu vermeiden. Empfohlen werden die folgenden Größen :
  - 150 l      12 l-Ausdehnungsgefäß
  - 210 l      18 l-Ausdehnungsgefäß
  - 300 l      24 l-Ausdehnungsgefäß
- 3.7 Ein Umwälzkreis kann an den Brauchwasserkreis angeschlossen werden. Für das Rücklaufrohr des Umwälzkreises ist ein Anschluss vorgesehen (Innengewinde G3/4).
- 3.8 Der Primärheizkreis **MUSS** über das Hydro Unit angeschlossen werden. Genauere Einzelheiten sind in den Installationsanweisungen für das Hydro Unit zu finden.



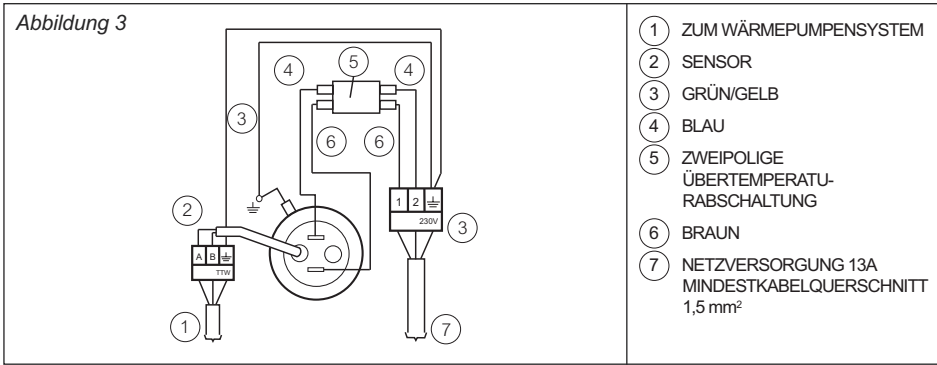
**DE**

## 4.0 ELEKTRISCHE ANFORDERUNGEN

- 4.1 Das Gerät ist werkseitig mit einem Zylinderheizelement mit Temperatursensor und Übertemperaturabschaltung ausgestattet. Der Zylinderheizelement ist ausgelegt für 2,75kW bei 230 V ~.
- 4.2 Der Zylinderheizelement befindet sich hinter der weißen Anschlussabdeckung auf der Vorderseite des Geräts. Die Abdeckung wird mit 2 Schrauben auf beiden Seiten und einer Hutmutter auf der Vorderseite der Abdeckung befestigt. **VOR DEMONTAGE DER ABDECKUNG ELEKTRISCHE STROMVERSORUNG TRENNEN.**
- 4.3 Der Zylinderheizelement **MUSS** geerdet werden.
- 4.4 Die gesamte elektrische Verdrahtung muss von einem fachkundigen Elektriker durchgeführt werden und den neuesten nationalen Verdrahtungsvorschriften entsprechen. Der Stromkreis muss durch eine geeignete Sicherung und einen zweipoligen Trennschalter mit einer Kontakttrennung von mindestens 3mm an beiden Polen abgesichert werden.

- 4.5 Die Verdrahtung des Zylinderheizelement erfolgt entsprechend Abbildung 3 und dem Installationshandbuch für die Wärmepumpe. Das Versorgungskabel muss über den Schaltkasten der Wärmepumpensteuerung geführt werden, ein direkter Anschluss an die elektrische Netzversorgung führt zum Verlust aller Gewährleistungsansprüche und kann zu potentiellen Gefahren führen. Das Versorgungskabel wird durch die rechte Kabeldurchführung geführt und der Außenmantel des Kabels durch Anziehen der Schraube an der Kabeldurchführung sicher befestigt. Der empfohlene Kabeltyp ist 3-adriges Kabel mit einer Stärke von 2,5mm<sup>2</sup> und hitzebeständiger Ummantelung.
- 4.6 Der Temperatursensor wird entsprechend Abbildung 3 und dem Installationshandbuch der Wärmepumpe an den Schaltkasten mit der Wärmepumpensteuerung angeschlossen. Das Kabel zum Temperatursensor wird durch die linke Kabeldurchführung geführt und der Außenmantel des Kabels durch Anziehen der Schraube an der Kabeldurchführung sicher befestigt. Für das Sensorkabel sollte ein 2-adriges Kabel mit einer Stärke von 0,75mm<sup>2</sup> 2 mit Abschirmung (Erdung) verwendet werden, das für einen Nennstrom von 100 mA zugelassen ist. Das Kabel darf maximal 5m lang sein.
- 4.7 Vor Inbetriebnahme Klemmenabdeckung wieder befestigen.
- 4.8 Das Gerät darf erst nach vollständiger Befüllung mit Wasser aufgeheizt werden.
- 4.9 Die Temperaturregelung des Wasserzylinders erfolgt über die Regler der Hydro Unit. Eine Anleitung zur Einstellung der Warmwasserspeichertemperatur finden Sie in der Installationsanleitung der Luft-Wasser-Wärmepumpe.
- 4.10 Die elektrische Versorgung von der Wärmepumpe zum Zylinderheizelement beinhaltet eine Übertemperaturabschaltung, die dafür sorgt, dass der Zylinderheizelement bei einem Ausfall der Temperatursteuerung abgeschaltet wird. Die Übertemperaturabschaltung darf keinesfalls umgangen werden.

DE



## 5.0 INBETRIEBNAHME

**WARNUNG:** Wenn Wasser über einen langen Zeitraum ohne Ablassen in Edelstahl-Wasserzylinder gelagert wird, verliert es seinen Sauerstoffgehalt und kann das Material des Behälters angreifen. Wenn die Anlage nach Aufstellung und Übergabe nicht verwendet wird, ist der Wasserzylinder zu entleeren oder regelmäßig (einmal pro Woche) mit frischem Leitungswasser zu spülen.

Wenn das Gerät in Betrieb genommen wird, sind die nachfolgend beschriebenen Verfahren zur Befüllung und Systemprüfung zu wiederholen.

- 5.1 Die Wärmepumpe darf erst eingeschaltet werden, wenn das Gerät mit Wasser befüllt und auf Undichtigkeiten geprüft wurde.

- 5.2 Zunächst muss geprüft werden, ob alle Anforderungen hinsichtlich Installation, Elektrik und Ablaufrohr erfüllt wurden.
- 5.3 Dann prüfen, ob alle Wasseranschlüsse und elektrischen Anschlüsse korrekt hergestellt wurden und dicht sind.
- 5.4 Eine vom Gerät versorgte Heißwasserentnahmestelle öffnen und Kaltwasserversorgung des Geräts aufdrehen .
- 5.5 Das Gerät befüllen und das Wasser eine Zeit lang aus der Heißwasserentnahmestelle laufen lassen, um die Rohre durchzuspülen und Luft zu entfernen. Heißwasserentnahmestelle schließen.
- 5.6 Heißwasserentnahmestellen nacheinander öffnen, damit die Luft aus dem System entweichen kann.
- 5.7 Alle Heißwasserentnahmestellen schließen und System auf Dichtigkeit kontrollieren. Ggf. Abhilfemaßnahmen ergreifen.
- 5.8 Funktion des Druckbegrenzungsventils manuell kontrollieren. Kontrollieren, ob das Wasser unbehindert durch das Ventil und das Ablaufrohr fließt.
- 5.9 Den Hauptkreislauf gemäß dem Abschnitt "Wasserrohr" in der Installationsanleitung der Hydro Unit befüllen. Entlüftungsstelle oder die automatische Entlüftungsvorrichtung öffnen, damit evtl. noch vorhandene Luft entweichen kann.
- 5.10 Elektrische Versorgung der Wärmepumpe einschalten und kontrollieren, ob das Programmiergerät auf die Betriebsart **WARMWASSER** eingestellt ist. Kontrollieren, ob alle motorisierten Ventile oder Pumpen im Primärkreislauf ordnungsgemäß funktionieren und Gerät aufheizen lassen. Die Warmwassertemperatur kann über die Fernbedienung der Hydro Unit geregelt werden. Einzelheiten dazu finden Sie in der Betriebsanleitung der Luft-Wasser-Wärmepumpe.

**DE**

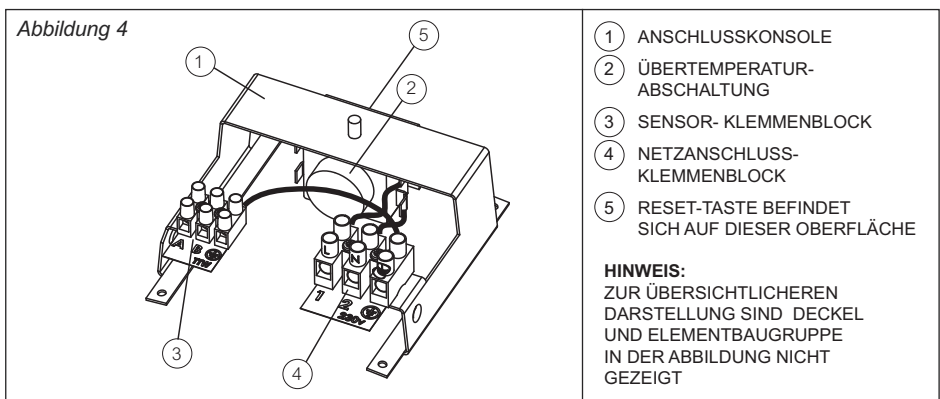
## 6.0 WARTUNG – ENTKALKEN DES ZYLINDERHEIZELEMENT

---

- 6.1 Das Gerät benötigt nur geringe Wartung. In Gegenden mit hartem Wasser muss das Gerät allerdings in regelmäßigen Abständen entkalkt werden, damit es effizient arbeitet. Zum Entkalken wie folgt vorgehen:
- 6.2 Elektrische Versorgung abschalten und trennen, und Wärmepumpe abschalten. Wasserversorgung des Geräts schließen.
- 6.3 Eine vom Gerät versorgte Heißwasserentnahmestelle öffnen, damit sich evtl. vorhandener Druck abbauen kann. Gerät durch Öffnen des Ablaufventils in den Zulaufrohrleitungen entleeren.
- 6.4 Klemmenabdeckung öffnen. Verbindungsdrähte trennen, mit denen die Übertemperaturabschaltung mit dem Zylinderheizelement verbunden ist. Temperatursensor vorsichtig durch Ziehen nach außen aus seiner Tasche auf dem Zylinderheizelement entnehmen.
- 6.5 Sensorelement der Übertemperaturabschaltung vorsichtig durch Ziehen nach außen aus der Tasche auf dem Zylinderheizelement entnehmen. Dabei darauf achten, dass das Kapillarrohr nicht geknickt wird.
- 6.6 Isolationsabdeckung der Anschlussleitungen des Heizelements durch Ziehen nach außen vom Element weg entfernen.

- 6.7 Stützmutter des Zylinderheizelement lösen. Zum einfachen Lösen/Anziehen der Stützmutter des Zylinderheizelement wird ein Schlüssel mitgeliefert. Zylinderheizelement vom Gerät lösen. **ACHTUNG:** Nach längerer Betriebszeit kann die Dichtung des Zylinderheizelement an der Gegenfläche kleben. Um die Dichtung zu lösen, kann ein Schraubendreher mit einem abgerundeten Blatt in eine der Taschen auf dem Zylinderheizelement eingesteckt und der Zylinderheizelement durch leichte Hebelbewegungen gelöst werden.
- 6.8 Kalkablagerungen vorsichtig von der Oberfläche des Elements entfernen. Dazu darf **KEINESFALLS** ein scharfes Werkzeug verwendet werden, da dies zu einer Beschädigung der Oberfläche des Elements führen könnte.
- 6.9 Dichtflächen auf Sauberkeit und ordnungsgemäßen Zustand kontrollieren. Im Zweifelsfalle neue Dichtung einbauen.
- 6.10 Das Zylinderheizelement wieder einsetzen. Dabei darauf achten, dass die Anschlussenden des Elements in der **SENKRECHTEN** Ebene liegen (siehe Abbildung 3). Zylinderheizelement durch Anbringen und Anziehen der Stützmutter wieder sicher befestigen. Es kann dabei nützlich sein, den Zylinderheizelement beim Anziehen der Stützmutter durch Einstecken eines Schraubendrehers mit rundem Blatt in eine Tasche des Elements abzustützen.
- 6.11 Abdeckung der Anschlussenden des Elements sorgfältig wieder über die Anschlussenden schieben, bis sie bündig mit der Stirnseite der Montageplatte des Elements abschließt.
- 6.12 Das Kapillarrohr der Übertemperaturabschaltung wieder in die **LINKSSEITIGE** Tasche des Zylinderheizelements einsetzen. Dabei ist darauf zu achten, dass das Kapillarrohr ganz einsetzt wurde und nicht geknickt ist. Sicherstellen, dass das Kapillarrohr so montiert wird, dass es die Anschlussenden des Elements nicht berührt.
- 6.13 Den Temperatursensor wieder in die **LINKSSEITIGE** Tasche des Zylinderheizelements hinter der Übertemperaturabschaltung einsetzen. Darauf achten, dass der Sensor vollständig eingesetzt und die Dichtung in das offene Ende der Tasche eingedrückt wird.
- 6.14 Verbindungsdrähte des Zylinderheizelement durch Einstecken der Steckkontakte in die entsprechenden Kontakte an den Anschlussenden des Elements wieder anschließen (siehe Abbildung 3). Alle Anschlüsse auf festen Sitz und Dichtigkeit kontrollieren. Klemmenabdeckung wieder anbringen und befestigen.
- 6.15 **WÄRMEPUMPE ODER ZYLINDERHEIZELEMENT ERST NACH DEM WIEDERBEFÜLLEN DES GERÄTS MIT WASSER EINSCHALTEN.** Gerät entsprechend den Installations- und Inbetriebnahmeanweisungen wieder in Betrieb nehmen.

DE



## 7.0 WARTUNG – SICHERHEITSVENTILE

---

- 7.1 Das Druckbegrenzungsventil und sonstige Sicherheitsventile müssen regelmäßig auf ordnungsgemäße Funktion geprüft werden.
- 7.2 Ventil(e) von Hand betätigen und kontrollieren, ob das Wasser ungehindert durch das Ventil und das Ablaufrohr fließen kann. **ACHTUNG:** Das ablaufende Wasser kann sehr heiß sein. Kontrollieren, ob das Ventil nach dem Loslassen wieder ordnungsgemäß in seinen Sitz zurückkehrt.

## 8.0 BEDIENUNGSANLEITUNG

---

- 8.1 Die Wasserspeichertemperatur im Wasserzylinder des Luft-Wasser-Wärmepumpensystems wird am Bedienfeld der Hydro Unit eingestellt. Die Temperatur kann zwischen 40°C und 75°C eingestellt werden; wir empfehlen eine Temperatur von 60°C. Bei Bedarf finden sich Anweisungen zur Einstellung der Speichertemperatur im Installationshandbuch der Hydro Unit.
- 8.2 Um Frostschäden zu vermeiden, falls das Gerät im Winter über einen längeren Zeitraum nicht in Betrieb ist, sollten die Primärversorgung der Wärmepumpe und der Zylinderheizelement ausgeschaltet und der Wasserzylinder entleert werden. **ACHTUNG:** Dies bietet jedoch keinen Schutz für andere Teile der Rohrleitungen. Falls diese Maßnahme durchgeführt wurde, ist der Wasserzylindervor Einschalten der Wärmepumpe und des Zylinderheizelement vollständig wieder in Betrieb zu nehmen, um Schäden zu vermeiden.
- 8.3 Damit der Wasserzylinder immer mit optimaler Leistungsfähigkeit arbeitet, sollte eine regelmäßige Wartung entsprechend den Anweisungen im Abschnitt **WARTUNG** vorgenommen werden.
- 8.4 **WICHTIGE HINWEISE FÜR DEN BENUTZER**
- **Der Ablauf ggf. vorhandener Sicherheitsventile darf nicht eingengt oder behindert werden.**
  - **An den vorgesehenen Sicherheitsventilen dürfen keinerlei Manipulationen vorgenommen werden.**
  - **Die Übertemperaturabschaltung darf keinesfalls umgangen werden.**
  - **Wenn Hinweise auf einen Fehler bestehen, ist ein fachkundiger Techniker zur Überprüfung des Systems heranzuziehen.**

**DE**



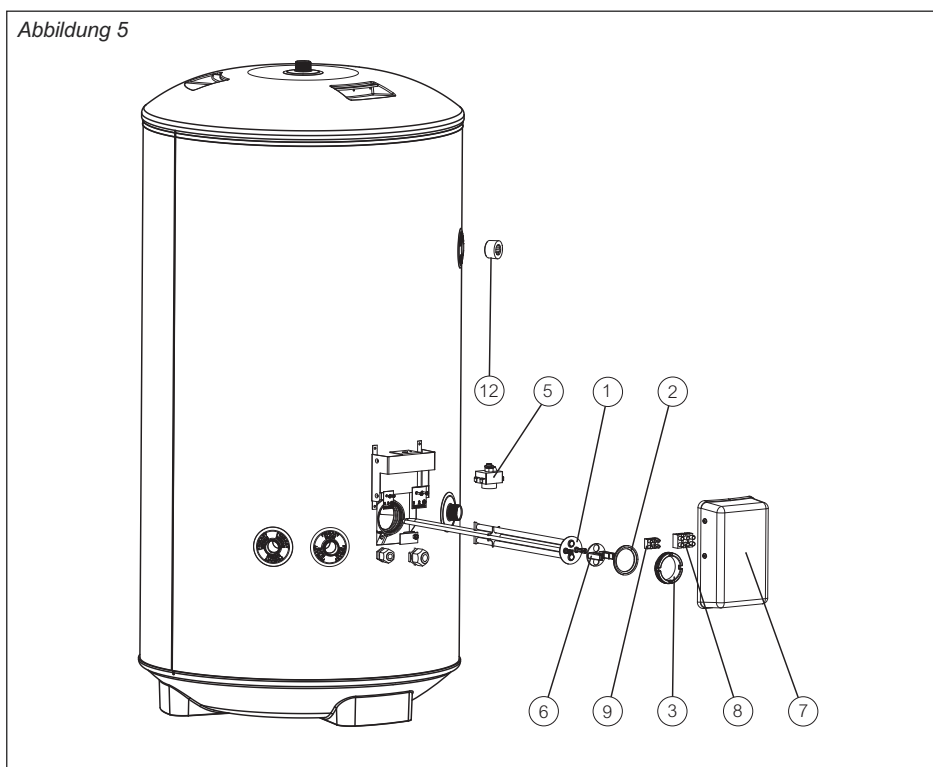
## 9.0 ERSATZTEILE

9.1 In der folgenden Liste sind die verfügbaren Ersatzteile für den Wärmepumpen-Wasserzylinder zusammengestellt. Um Fehlbestellungen zu vermeiden, ist die genaue Modellbezeichnung des Geräts dem Typenschild des Geräts zu entnehmen.

9.2 **KEINESFALLS** vom Hersteller nicht zugelassene Ersatzteile verwenden. Dies hat einen Verlust der Gewährleistungssprüche und eine potentiell gefährliche Installation zur Folge.

9.3	<b>Beschreibung</b>	<b>Teilenr.</b>
	① Zylinderheizelement .....	95:606:967
	② Zylinderheizelementdichtung .....	95:611:012
	③ Stützmutter des Zylinderheizelement .....	95:607:118
	Schlüssel für Zylinderheizelementb.....	95:607:119
	⑤ Übertemperaturabschaltung (Zylinderheizelement).....	95:612:038
	⑥ Abdeckung für Anschlussleitungen des Heizelements .....	95:607:115
	⑦ Klemmenabdeckung.....	95:614:109
	⑧ Klemmenleiste (Anschluss Zylinderheizelement) .....	95:607:113
	⑨ Klemmenleiste (Anschluss Temperatursensor).....	95:607:114
	Temperatursensor .....	95:612:037
	Satz Druckmuttern und Schneidringe.....	95:607:116
	⑫ Anschlussstecker für Sekundär-Umwälzkreislauf .....	95:607:117
	Sicherheitsvorrichtung .....	95:605:073

Abbildung 5



DE

## 10.0 FEHLERSUCHE

Eine Reihe von häufigen Fehlern, mögliche Ursachen und Abhilfemaßnahmen sind in der nachfolgenden Tabelle aufgeführt. Servicearbeiten am Wasserzylinder und an der Wärmepumpe dürfen nur von ausgebildeten, fachkundigen Installateuren durchgeführt werden.

FEHLER	MÖGLICHE URSACHE	ABHILFE
<b>Kein Heißwasserfluss</b>	1. Hauptwasserversorgung abgeschaltet	1. Kontrollieren und Hauptwasserversorgung einschalten
	2. Filter der Hauptwasserleitung (falls vorhanden) verstopft	2. Wasserversorgung abschalten Filter ausbauen und entsprechend den Anweisungen des Herstellers reinigen
	3. Wasserzulauf-Steuerungsventile falsch eingebaut	3. Prüfen und nach Bedarf wieder einbauen
<b>Wasser an der Heißwasserentnahmestelle ist kalt</b>	1. Steuerung am Wärmepumpen-Hydro Unit nur auf Raumheizung eingestellt	1. Einstellung prüfen
	2. Wärmepumpe defekt	2. Funktion der Wärmepumpe prüfen Wenn ein Fehler vermutet wird, Handbuch der Wärmepumpe zu Rate ziehen
	3. Temperatursensor des Wasserzylinder defekt	3. Sensorfunktion prüfen Erforderlichenfalls ersetzen
<b>Wasser an den Heißwasserentnahmestellen ist nur warm</b>	1. Übertemperaturabschaltung des Zylinderheizelement hat ausgelöst	1. Prüfen Fehler durch Drücken des Tasters auf der Übertemperaturabschaltung quittieren
	2. Temperatursensor des Wasserzylinder defekt	2. Sensorfunktion prüfen Erforderlichenfalls ersetzen
<b>Wasser an den Heißwasserentnahmestellen ist zu heiß</b>	1. Wasserspeichertemperatur an der Steuerung der Wärmepumpe zu hoch eingestellt	1. Prüfen und nach Bedarf wieder einbauen
	2. Temperatursensor des Wasserzylinder defekt	2. Sensorfunktion prüfen Erforderlichenfalls ersetzen
<b>Am Druckbegrenzungsventil tritt ständig Wasser aus</b>	1. Druck in der Hauptwasserleitung zu hoch	1. Der korrekte Druck ist im Abschnitt "Wichtige Installationshinweise" angegeben. Erforderlichenfalls ein Druckreduzierventil am Wasserzulauf installieren
	2. Ventilsitz des Druckbegrenzungsventils ist zu hoch	2. Ausbauen und ersetzen



## 11.0 GEWÄHRLEISTUNG

---

Garantieinformationen erhalten Sie von Ihrem Händler für ESTIA Wärmepumpen.

- 11.1 Das Gerät muss in Übereinstimmung mit den Anweisungen in diesem Handbuch installiert werden, und alle Zulaufsteuerelemente und Sicherheitsventile müssen korrekt installiert werden.
- 11.2 Bei allen Ventilen und Steuer- und Bedienelementen muss es sich um vom Hersteller zugelassene Typen handeln.
- 11.3 Es dürfen keine unerlaubten Veränderungen am Gerät vorgenommen werden, und das Gerät muss regelmäßig entsprechend den vorliegenden Anleitungen gewartet werden.
- 11.4 Das Gerät darf nur zum Erwärmen von Trinkwasser verwendet werden (max. Chlorgehalt 250 mg/l).
- 11.5 Das Gerät wurde weder einer hohen Chlorkonzentration in der Wasserversorgung noch einer unzureichenden Desinfektionsmethode ausgesetzt.
- 11.6 Nach der Übergabe wird das Gerät innerhalb von 7 Tagen in Betrieb genommen. Falls nicht, muss es entweder entleert oder regelmäßig gespült werden, wie im Abschnitt "Inbetriebnahme – Warnung" beschrieben.
- 11.7 Für das Gerät übernehmen wir **KEINE** Gewährleistung für Frostschäden oder Schäden aufgrund von Verkalkung.
- 11.8 Diese Gewährleistung hat keinen Einfluss auf die gesetzlichen Verbraucherrechte.

Diese Garantie **GILT NICHT** für die Außenbereichseinheit der ESTIA Luft-Wasser-Wärmepumpe oder die ESTIA Hydro Unit.

DE

## 12.0 INFORMATION ZUM UMWELTSCHUTZ

---

- 12.1 Zur Herstellung dieses Produkts werden zahlreiche Recycling-fähige Werkstoffe verwendet. Am Ende seiner Einsatzzeit sollte das Gerät an einem kommunalen Recycling-Hof abgegeben werden, damit es einer umweltgerechten Entsorgung zugeführt werden kann.
- 12.2 Die verwendete Isolierung besteht aus FCKW/H-FCKW frei geschäumte Polyurethan mit keinem Ozonabbaupotential.

**Aufgrund der rasch voranschreitenden Produktentwicklung behalten wir uns das Recht vor, die Produktspezifikationen jederzeit ohne Vorankündigung zu ändern. Wir sind jedoch bemüht, sicherzustellen, dass die in diesem Handbuch enthaltenen Daten zum Zeitpunkt der Veröffentlichung korrekt sind.**

## WICHTIGE INFORMATION UND WARNHINWEISE

**VOR DER INSTALLATION DES GERÄTS BITTE LESEN. AN EINEM SICHEREN ORT AUFBEWAHREN. DIE FOLGENDEN INFORMATIONEN WERDEN BEI DER ENTSORGUNG DES ALTGERÄTS ODER WIEDERVERWENDUNG BENÖTIGT**

- Wir sind der Umwelt gegenüber sehr sensibel eingestellt und begrüßen die Elektroaltgeräterichtlinie 2002/96/EC WEEE (Waste Electrical and Electronic Equipment).
- Dieses Produkt entspricht der EU-Richtlinie 2002/96/EU. Das Gerät muss am Ende seiner Einsatzzeit separat eingesammelt werden und darf nicht als unsortierter Restmüll entsorgt werden.
- Die Ziele der EU-Richtlinie 2002/96/EU sind die Verringerung der rasant zunehmenden Menge an Elektro- und Elektronikschrott, die Steigerung der umweltverträglichen Entsorgung von Elektro- und Elektronikaltgeräten ("EEE") und die Begrenzung der Gesamtmenge des zu entsorgenden Elektronikschrotts ("WEEE").
- Die am Produkt angebrachte WEEE-Kennzeichnung mit durchgestrichener Abfalltonne auf Rädern gibt an, dass das Gerät unter die Richtlinie fällt.
- Die Verbraucher sind verantwortlich für die Rückgabe ihrer nicht mehr benötigten Geräte in kommunalen Sammelstellen entsprechend den Richtlinien ihrer Gemeinde oder Angaben des Lieferanten. Bei Installation eines neuen Produkts kann das Altgerät möglicherweise direkt vom Lieferanten abgeholt werden.
- Hersteller, Importeure und Lieferanten sind verantwortlich für die Sammlung und Entsorgung der Elektro- und Elektronikaltgeräte entweder direkt oder über eine Sammelstelle. Die Lieferanten Ihres Landes sind nachstehend angegeben.
- Für Verstöße gegen diese Richtlinie sind in den jeweiligen Mitgliedsstaaten Sanktionen festgelegt.
- Wir befolgen allgemein die CECED-Interpretation und betrachten die WEEE-Richtlinie als anwendbar auf tragbare Geräte, Luftentfeuchter, WRAC (Fenster/Zimmer Luft/Wasser-Wärmepumpen), Splitsystem-Klimaanlagen bis zu 12 kW, Einbaukühlschränke und Gefrierschränke.
- Trotzdem können Unterschiede zwischen den Gesetzen einzelner Mitgliedsstaaten existieren. Falls die Landesgesetze einige Produkte vom Anwendungsbereich der WEEE-Richtlinie ausschließen, müssen diese Gesetze befolgt werden. In Ländern, in denen diese Produkte nicht durch die WEEE-Richtlinie betroffen sind, müssen die WEEE-Verpflichtungen nicht befolgt werden.
- Die WEEE-Richtlinie gilt nicht für Produkte, die außerhalb der Europäischen Union verkauft werden. In solchen Fällen müssen die WEEE-Verpflichtungen nicht befolgt werden; die Erfüllung örtlicher Regelungen muss jedoch gewährleistet sein.
- Für zusätzliche Informationen wenden Sie sich bitte an die zuständige Gemeinde, das Geschäft/den Verkäufer/Vertriebshändler/Installateur, welche das Produkt verkauft haben, oder an den Hersteller.

**DE**



## SYSTÉM TEPELNÉHO ČERPADLA (VZDUCH - VODA)

# DOMÁCÍ VODNÍ VÁLEC PRO UZAVŘENÝ NEODVZDUŠŇOVANÝ SYSTÉM – NEPŘÍMÝ ZPŮSOB OHŘEVU

## SERVISNÍ A MONTÁŽNÍ MANUÁL

### DŮLEŽITÉ

PŘED MONTÁŽÍ TOHOTO VODNÍ VÁLEC SI PODROBNĚ PROSTUDUJTE TYTO POKYNY. NESPRÁVNÉ PROVEDENÍ MONTÁŽE MŮŽE BÝT DŮVODEM K VYPOVĚZENÍ ZÁRUKY. MONTÁŽ VODNÍ VÁLEC MUSÍ BÝT PROVEDENA KVALIFIKOVANÝM PRACOVNÍKEM V SOULADU S MÍSTNÍMI PŘEDPISY PRO INSTALATÉRSKÉ, STAVEBNÍ A ELEKTRIKÁŘSKÉ PRÁCE. TENTO MANUÁL ULOŽTE NA BEZPEČNÉ MÍSTO POBLÍŽ OHŘÍVAČE PRO BUDOUCÍ POTŘEBU.

**CZ**

### TECHNICKÉ SPECIFIKACE

Jmenovitý přetlak	1,0 MPa (10 bar)
Zkušební tlak (hydraulický)	1,5 MPa (15 bar)
Minimální doporučený dodávkový tlak	0,1 MPa (1 bar)
Max. pracovní tlak primárního okruhu	0,35 MPa (3,5 bar)
Elektrický příkon (válcový ohřivač)	2,75 kW @ 230 V~
Hmotnost (plný) 150 litrů nepřímý	181 kg
210 litrů nepřímý	251 kg
300 litrů nepřímý	360 kg

### DODÁVANÉ SOUČÁSTI

- Vodní válec včetně elektrického válcového ohřivače a tepelné regulace.
- Ochranná skupina obsahující přetlakový ventil, kontrolní (jednosměrně propustný) ventil a izolační ventil.
- Přítužné matice a tlačítka.
- Montážní klíč na válcový ohřivač.

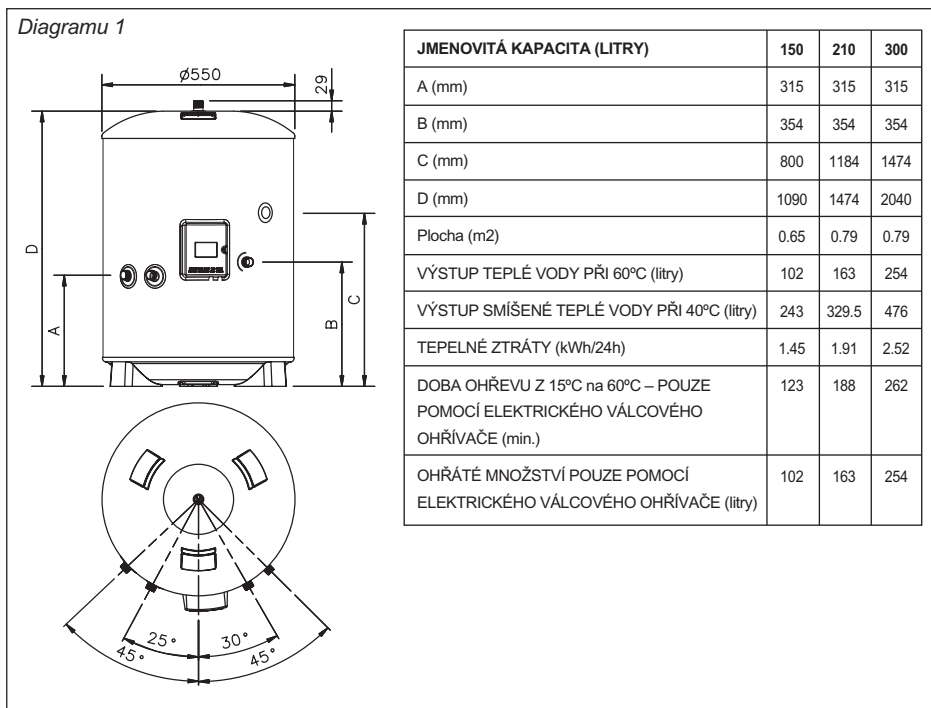
## 1.0 DŮLEŽITÉ ZÁSADY PRO MONTÁŽ

- 1.1 Tato jednotka, pro použití s tepelným čerpadlem ESTIA vzduch-voda, je účelově navrženým nevětraným vodním válcem.
- 1.2 Vodní válec **MUSÍ** být osazen přetlakovým ventilem, který vyhovuje vašim místním stavebním a instalatérským předpisům. **MONTÁŽ OHŘÍVAČE VODY BEZ POJISTNÉHO VENTILU JE NEBEZPEČNÁ A JE DŮVODEM PRO VYPOVĚZENÍ ZÁRUKY.**
- 1.3 Při vstupním tlaku nad 0,6 MPa (6 bar) je třeba ohřívač na přívodním potrubí vybavit redukčním ventilem nastaveným na max. 0,5 MPa (5 bar). Redukční ventil však **NESMÍ** být namontován mezi přetlakový pojistný ventil a vodní válec.
- 1.4 Ohřívač vody je také třeba připojit k přívodnímu potrubí přes zpětný ventil, který však **NESMÍ** být umístěn mezi přetlakový pojistný ventil a vodní válec.
- 1.5 Toto zařízení není určeno pro osoby (včetně dětí) se sníženými tělesnými, smyslovými nebo duševními schopnostmi ani pro osoby, které nemají dostatečné zkušenosti nebo znalosti, pokud tyto nepracují pod dohledem nebo obdržely instrukce týkající se používání zařízení od osoby zodpovědné za jejich bezpečnost. Na děti je nutno dohlížet a zajistit, aby si se zařízením nehrály.

## 2.0 MONTÁŽ – VŠEOBECNÉ POŽADAVKY

- 2.1 Montáž zařízení v určitém prostředí (např. koupelně) může být zakázána místními předpisy pro montáž elektrických spotřebičů.
- 2.2 Ohřívač **MUSÍ** instalován ve svislé poloze.
- 2.3 Ohřívač **MUSÍ** být umístěn na rovné ploše.
- 2.4 Kolem ohřívače je nezbytné ponechat dostatečný prostor pro připojení potrubí a pro přístup k připojeným pojistným ventilům. Podrobné informace pro výběr vhodného umístění ohřívače najdete v Diagramu 1 a Tabulce rozměrů.
- 2.5 **POZNÁMKA:** ujistěte se, že podlaha unese plnou váhu zařízení (viz **TECHNICKÉ SPECIFIKACE**).
- 2.6 Zařízení **NEMONTUJTE** v místě, kde by mohlo dojít k zamrznutí obsažené vody.
- 2.7 Hlavní vodovodní přívod do objektu bude pokrývat spotřebu studené i teplé vody současně. Doporučuje se provést odborný odhad maximální spotřeby vody a poté zkontrolovat průtočnost vodovodního přívodu s ohledem na uspokojivé pokrytí této spotřeby. **POZNÁMKA:** vysoký tlak ve vodovodním potrubí nemusí vždy znamenat dostatečný průtok. Minimální požadavky na přívod vody doporučujeme stanovit na 0,1 MPa (1,0 baru) z hlediska tlaku a 20 litrů za minutu z hlediska průtoku. Je-li však použito několik odběrních míst současně, nemusí být průtok při uvedených hodnotách na těchto odběrních místech dostatečný. Čím vyšší tlak a průtok, tím vyšší výkon celého systému.
- 2.8 **OMEZENÍ:**  
Vodní válec by neměl být používán:
  - V situacích, kdy lze předpokládat zanedbání údržby nebo nedovolené či neodborné zásahy do bezpečnostních zařízení.
  - Ve vodovodních systémech s nesprávným tlakem či výpadky průtoku.

- V situacích, kdy nelze bezpečně odvádět přebytečnou vodu vytékající z bezpečnostních ventilů.
- V oblastech, kde vodovod dlouhodobě obsahuje vysoký podíl pevných částic či rozptýlených látek a kde není zajištěna vhodná filtrace na vstupu do vodovodu.

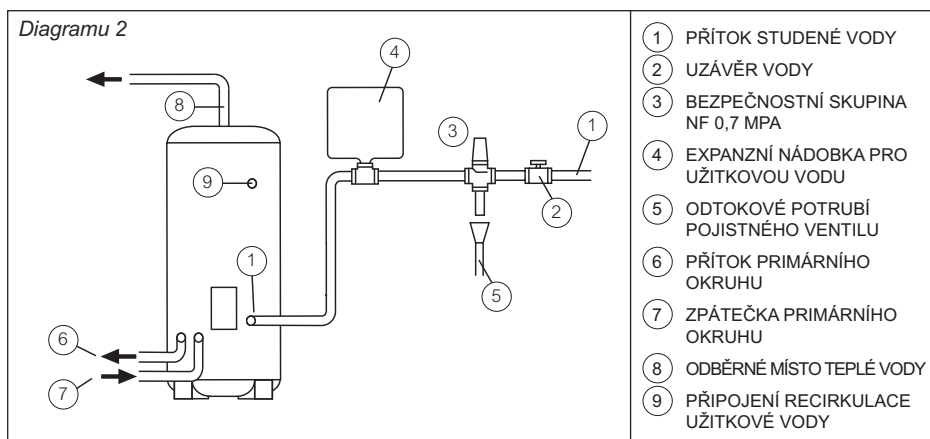


## 3.0 MONTÁŽ – VODOVODNÍ INSTALACE

CZ

- 3.1 Viz kapitola **DŮLEŽITÉ ZÁSADY PRO MONTÁŽ**. Veškeré požadované ventily namontujte v pořadí uvedeném na Diagramu 2. Dbejte na správnou orientaci ventilů podle směru průtoku označeného na ventilech šipkou. Vodní válec **MUSÍ** být osazen přetlakovým ventilem, který vyhovuje vašim místním stavebním a instalatérským předpisům (přiložená ochranná skupina). **MONTÁŽ OHŘÍVAČE VODY BEZ POJISTNÉHO VENTILU JE NEBEZPEČNÁ A JE DŮVODEM PRO VYPOVĚZENÍ ZÁRUKY**. Jakákoliv výstupní trubka připojená k přetlakovému zařízení musí být nainstalována ve směru dolů, a to v nemrzoucím prostředí.
- 3.2 Zařízení je možné přímo připojit k potrubí o vnějším průměru 22mm. Veškeré potrubní spojky pro tento typ připojení jsou součástí dodávky. Šroubení má závit G3/4, takže umožňuje v případě potřeby použít objímky G3/4. **NEPOUŽÍVEJTE** pozinkované vodovodní potrubí. Jsou-li použity ocelové trubky, měly by být od nerezové nádoby odizolovány pomocí dielektrické vazby.
- 3.3 **PŘÍVOD** studené užitkové vody je označen **MODŘE**, **ODVOD** teplé vody je označen **ČERVENĚ**. Ohřívač může zásobovat teplou vodou několik samostatných odběrných míst. Při volbě kapacity ohřívače a počtu připojených odběrných míst je však třeba vzít v úvahu skutečnou spotřebu vody v celém systému.
- 3.4 Přívod studené vody doporučujeme opatřit uzavíracím ventilem.
- 3.5 Pod ohřívačem musí být na přívodním potrubí namontován výpustný kohout, který je třeba umístit mezi ohřívač a zpětný ventil.

- 3.6 Na přítokovou stranu sanitárního okruhu je možné připojit expanzní nádobu podle Diagramu 2. Expanzní nádoba zachytává vodu vytlačovanou v důsledku zvýšení tlaku ze systému, a zabraňuje tak plýtvání. Doporučujeme následující velikosti:
- |                      |                          |
|----------------------|--------------------------|
| Ohřivač na 150 litrů | expanzní nádoba 12 litrů |
| Ohřivač na 210 litrů | expanzní nádoba 18 litrů |
| Ohřivač na 300 litrů | expanzní nádoba 24 litrů |
- 3.7 Okruh užitkové vody je možné vybavit okruhem pro recirkulaci. Součástí dodávky je potrubní spojka pro připojení zpátečky s objímkou se závitem G3/4.
- 3.8 Primární okruh ohřevu **MUSÍ** být propojený přes Hydro Unit. Více informací najdete v příručce pro montáž Hydro Unit.

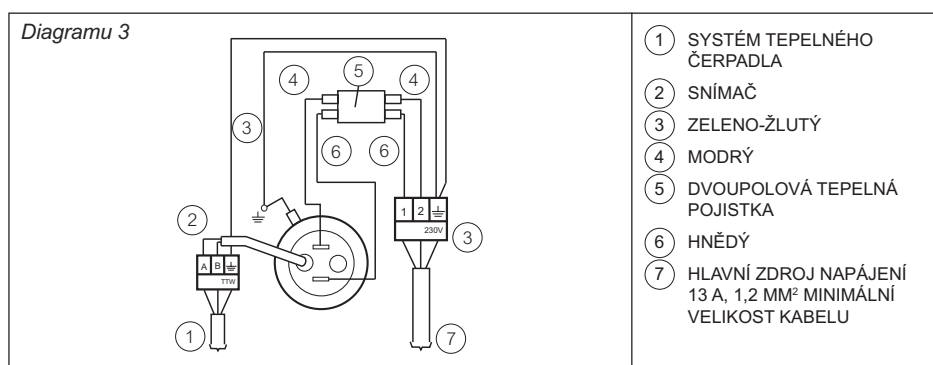


## 4.0 POŽADAVKY NA ELEKTROINSTALACI

- 4.1 Ohřivač je dodáván s ponorným topným tělesem montovaným při výrobě, jehož součástí je tepelné čidlo a tepelná pojistka pro automatické vypnutí v případě přehřátí. Jmenovitý příkon válcový ohřivač je 2,75 kW při 230 V~.
- 4.2 Válcový ohřivač je umístěno za bílým předním krytem svorkovnice ohřivače. Kryt je na obou stranách zajištěn dvěma šrouby a uzavřenými závitovými maticemi na čelní straně krytu. **PŘED ODMONTOVÁNÍM KRYTU ODPOJTE PŘÍVOD ELEKTRICKÉHO PROUDU.**
- 4.3 Válcový ohřivač **MUSÍ** být uzemněno.
- 4.4 Veškerou elektroinstalaci smí provádět pouze kvalifikovaný elektrikář v souladu s místními předpisy a normami. Elektrický obvod je třeba chránit vhodnou pojistkou a dvoupólovým jističem se vzdáleností mezi kontakty min. 3mm.
- 4.5 Válcový ohřivač je třeba zapojit podle Diagramu 3 a návodu v montážním manuálu tepelného čerpadla. Napájecí kabel musí být připojen přes skříňku ovládání tepelného čerpadla. Přímé připojení k napájecí síti je nebezpečné a je důvodem pro vypovězení záruky. Napájecí kabel musí být veden skrze dodanou pravou kabelovou průchodku, ve které musí být pevně uchycen dotažením objímky kabelové průchodky. Doporučeným typem kabelu je třížilový žárovzdorný kabel 2,5mm<sup>2</sup>.
- 4.6 Tepelné čidlo je třeba připojit ke skříňce ovládání tepelného čerpadla podle Diagramu 3 a montážního manuálu tepelného čerpadla. Kabel tepelného čidla musí být veden skrz dodanou levou kabelovou průchodku, ve které musí být pevně uchycen dotažením objímky kabelové průchodky. Jako kabel tepelného čidla je třeba použít dvoužilový kabel 0,75mm<sup>2</sup> s uzemněným stíněním a maximálním jmenovitým proudem 10mA. Kabel nesmí být delší než 5m.



- 4.7 Před uvedením do provozu dejte na své místo kryt svorkovnice.
- 4.8 **NEZAPÍNEJTE** ohřev, dokud není ohříváč zcela naplněn vodou.
- 4.9 Teplotu vodního válce lze regulovat ovládacími prvky na jednotce Hydro Unit. Pokyny k nastavení teploty vody v zásobníku naleznete v Návodu k montáži vzduchového tepelného čerpadla.
- 4.10 Elektrické napájení válcový ohříváč z tepelného čerpadla obsahuje tepelnou pojistku proti přehřátí, která vypne válcový ohříváč v případě poruchy tepelného ovladače. Za žádných okolností **NEPROVÁDĚJTE** přemostění tepelné pojistky.



## 5.0 UVEDENÍ DO PROVOZU

**VAROVÁNÍ:** Voda ponechaná bez výměny po delší dobu v nerezovém ohříváči se postupně odkysličuje a může případně způsobit korozi materiálu nádoby. Pokud bude ohříváč po instalaci a uvedení do provozu ponechán delší dobu v nečinnosti, potom bude třeba vodu vypustit nebo ohříváč pravidelně (jedenkrát týdně) proplachovat čistou vodou z přívodu vody.

Při opětovném uvedení zařízení do provozu je třeba opět uplatnit níže popsany postup napouštění jednotky a kontroly systému.

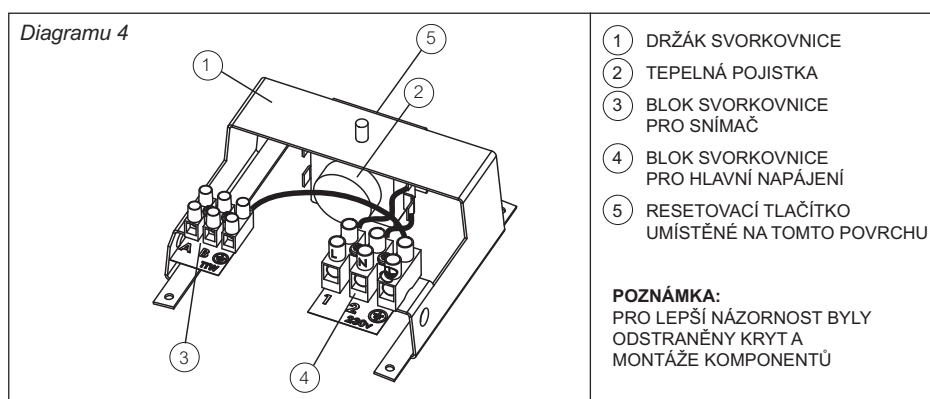
- 5.1 **NEZAPÍNEJTE** tepelné čerpadlo, dokud není ohříváč zcela naplněn vodou a není provedena dokonalá kontrola těsnosti.
- 5.2 Zkontrolujte, zda veškerá vodovodní instalace včetně odpadního potrubí i elektroinstalace odpovídá příslušným normám a zde uvedeným pokynům.
- 5.3 Zkontrolujte správnost a těsnost všech vodovodních spojů a správnost a dotažení elektrického zapojení.
- 5.4 Otevřete dodaný kohout horké vody ohříváče a otevřete kohout přívodu studené vody do ohříváče.
- 5.5 Nechejte ohříváč chvíli napouštět s otevřeným kohoutem horké vody, aby se systém odvzdušnil a řádně propláchno potrubí. Potom zavřete kohout horké vody.
- 5.6 Následně otevřete všechny kohouty horké vody na odběrných místech pro dokonalé odvzdušnění systému.
- 5.7 Zavřete všechny kohouty horké vody a zkontrolujte těsnost systému. V případě potřeby proveďte dotažení či utěsnění spojů.
- 5.8 Ručně zkontrolujte funkci přetlakového pojistného ventilu. Ujistěte se, že voda může z ventilu a odpadního potrubí volně vytékat.

- 5.9 Naplňte primární obvod dle pokynů uvedených v oddílu „Vodovodní potrubí“ v Návodu k montáži jednotky Hydro Unit. Otevřením odvzdušňovacího ventilu nebo prostřednictvím samočinného odvzdušňovacího ventilu vypusťte případný vzduch zbylý v potrubí.
- 5.10 Zapněte napájení tepelného čerpadla a ujistěte se, že je volič programů nastaven na režim **HORKÁ VODA**. Zkontrolujte, zda všechny poháněné ventily a primární čerpadla řádně fungují a nechejte probíhat ohřev. Teplotu teplé vody lze regulovat prostřednictvím dálkového ovladače k jednotce Hydro Unit. Podrobnosti naleznete v Návodu k obsluze vzduchového tepelného čerpadla.

## 6.0 ÚDRŽBA – ODSTRANĚNÍ VODNÍHO KAMENE Z VÁLCOVÝ OHŘÍVAČ

- 6.1 Ohříváč vyžaduje jen minimální údržbu. V místech s tvrdou vodou však je pro zajištění efektivního provozu třeba provádět pravidelné odstraňování vodního kamene. Vodní kámen odstraní následujícím způsobem:
- 6.2 Vypněte ohříváč a odpojte ho od zdroje napájení. Vypněte jednotky pro nepřímý ohřev. Zastavte přívod vody do ohříváče.
- 6.3 Otevřete kohout horké vody na ohříváči pro uvolnění tlaku v systému. Vypusťte veškerou vodu z ohříváče výpustným kohoutem na přívodním potrubí.
- 6.4 Otevřete kryt svorkovnice. Rozpojte vodiče propojující tepelnou pojistku s válcový ohříváč. Opatrně vyjměte tepelné čidlo z otvoru válcový ohříváč tahem směrem ven.
- 6.5 Opatrně vyjměte tělísko čidla tepelné pojistky z pouzdra na válcový ohříváč tahem směrem ven. Dávejte pozor, aby nedošlo k zauzlování kapilární trubičky.
- 6.6 Odstraňte izolační kryt koncové části topného elementu zatažením směrem od něj.
- 6.7 Odšroubujte jistící matku válcový ohříváč. Pro snadné uvolnění a dotažení jistící matky válcový ohříváč je k ohříváči dodáván speciální klíč. Vymontujte válcový ohříváč z ohříváče. **POZNÁMKA:** po určité době provozu se může těsnění válcový ohříváč přilepit na styčnou plochu. Pro odstranění těsnění zasuněte plochý šroubovák do jednoho z otvorů válcový ohříváč a jemně páčte nahoru a dolů.
- 6.8 Opatrně odstraňte všechny usazeniny z povrchu topného elementu. **NEPOUŽÍVEJTE** ostré nástroje, protože byste mohli poškodit povrch topného elementu.
- 6.9 Zkontrolujte, zda jsou všechny styčné plochy čisté a těsnění neporušená. V případě potřeby vyměňte těsnění za nová.
- 6.10 Vyměňte válcový ohříváč, který zajišťuje konce ostatních prvků ve **SVISLÉ** rovině (viz diagramu 3). Válcový ohříváč upevněte našroubováním a dotažením jistící matice. V případě potřeby je možné při dotahování matice podepřít válcový ohříváč plochým šroubovákem zasunutým do jednoho z otvorů.
- 6.11 Vratte na místo isolační kryt konce topného elementu opatrným zatlačením na konce elementu, až se styčná plocha zarovná s čelem upínací desky elementu.
- 6.12 Vyměňte tepelné odpojovací vedení v **LEVÉM** pouzdra válcového ohříváče. Přesvědčte se, zda je kapilární vedení zcela zasunuto a zda jeho trubice není zlomená či jinak poškozená. Přesvědčte se, zda je trubice kapilárního vedení zavedena tak, aby se nedotýkala s konci ostatních prvků.

- 6.13 Vyměňte tepelný snímač v **LEVÉM** pouzdru válcového ohřívače za tepelným odpojovacím vedením. Přesvědčte se, zda je snímač zcela zasunut a zda je pojistná průchodka zatlačena do otevřeného konce pouzdra.
- 6.14 Znovu zasuňte kontakty všech elektrických vodičů do příslušných zdířek na konci topného elementu podle Diagramu 3. Zkontrolujte, zda jsou všechny kontakty bezpečně upevněny. Vraťte na místo kryt svorkovnice a zajistěte ho.
- 6.15 **NEZAPÍNEJTE TEPELNÉ ČERPADLO ANI VÁLCOVÝ OHŘÍVAČ, DOKUD NENÍ OHŘÍVAČ ZNOVU NAPLNĚN VODOU.** Postupujte podle kapitoly **UVEDENÍ DO PROVOZU** v této příručce.



## 7.0 ÚDRŽBA – POJISTNÉ VENTILY

- 7.1 Přetlakové pojistné ventily a jiné namontované pojistné ventily je třeba pravidelně kontrolovat pro zajištění správné funkce.
- 7.2 Manuálně zkontrolujte činnost ventilů a ujistěte se, že voda může z ventilu volně vytékat do odpadu. **UPOZORNĚNÍ:** odtékající voda může být velmi horká. Ujistěte se, že po uvolnění ventilu se tento opět správně uzavře.

CZ

## 8.0 POKYNY PRO UŽIVATELE

- 8.1 Teplota vody v zásobníku u vodního válce systému vzduchového tepelného čerpadla se nastavuje na ovládacím panelu jednotky Hydro Unit. Teplotu lze nastavit v rozmezí 40°C až 75°C. Doporučená teplota činí 60°C. Je-li třeba upravit teplotu vody v zásobníku, nahlédněte do Návodu k montáži jednotky Hydro Unit.
- 8.2 S ohledem na ochranu systému proti zamrznutí v případě dlouhodobé odstávky v zimních měsících se doporučuje odpojit primární přívod do tepelného čerpadla, vypnout ponorný ohřívač a z ohřívače vody vypustit vodu. **POZNÁMKA:** Tyto kroky neochrání zbylé části vodovodního systému. Učiníte-li výše uvedené kroky, je třeba před opětovným spuštěním tepelného čerpadla a ponorného ohřívače naplnit systém vodou. V opačném případě může dojít k poškození tepelného čerpadla a ponorného ohřívače.
- 8.3 Chcete-li zajistit trvalý optimální výkon ohřívače, je třeba provádět jeho pravidelnou údržbu podle pokynů uvedených v kapitole **ÚDRŽBA**.

8.4 DŮLEŽITÉ POZNÁMKY PRO UŽIVATELE

- Dbejte na to, aby voda ze všech pojistných ventilů mohla v případě potřeby volně odtékat.
- Žádný pojistný ventil se nesnažte svépomocí opravovat či upravovat.
- Za žádných okolností nepřemost'ujte tepelnou pojistku.
- V případě jakékoliv závady se obraťte na kvalifikovaného odborníka.

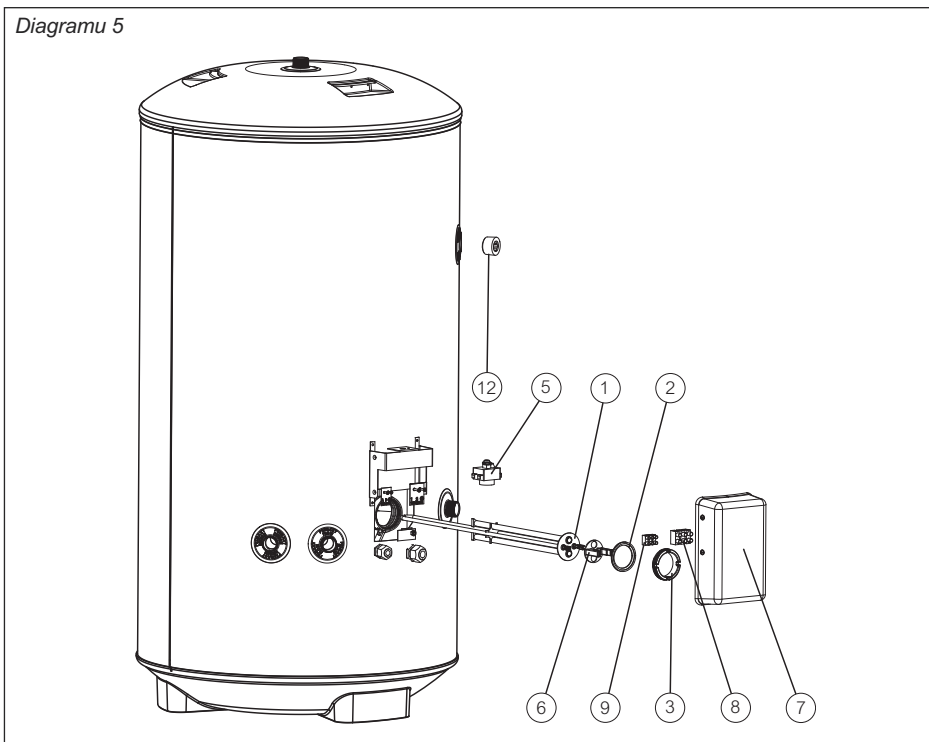
## 9.0 NÁHRADNÍ DÍLY

9.1 Specifikace dostupných náhradních dílů pro tepelné čerpadlo a ponorný ohřivač jsou uvedeny níže. Na ohřivači je umístěn štítek s označením modelu, podle kterého budete moci identifikovat a objednat správné náhradní díly.

9.2 **NIKDY NEPOUŽÍVEJTE** jiné díly, než ty, které jsou doporučeny výrobcem. Použití jakýchkoliv jiných dílů je nebezpečně a je důvodem k vypovězení záruky.

9.3 Popis	Díl č.
① Válcový ohřivač .....	95:606:967
② Těsnění válcový ohřivač.....	95:611:012
③ Jistící matka válcový ohřivač.....	95:607:118
Montážní klíč válcový ohřivač.....	95:607:119
⑤ Tepelná pojistka válcový ohřivač.....	95:612:038
⑥ Izolační kryt koncové části topného elementu .....	95:607:115
⑦ Kryt svorkovnice .....	95:614:109
⑧ Blok svorkovnice (připojení válcový ohřivač) .....	95:607:113
⑨ Blok svorkovnice (připojení tepelného čidla).....	95:607:114
Tepelné čidlo.....	95:612:037
Sada potrubních spojek.....	95:607:116
⑫ Přípojka sekundární recirkulace .....	95:607:117
Ochranná skupina.....	95:605:073

Diagramu 5



## 10.0 IDENTIFIKACE ZAVAD

V následující tabulce je uveden popis některých běžných závad, jejich možné příčiny a řešení. Jakékoliv servisní práce na tepelném čerpadle a ohřivači musí provádět zaškolený a kvalifikovaný pracovník.

ZÁVADA	MOŽNÁ PŘÍČINA	REŠENÍ
<b>Horká voda neteče</b>	1. Zastavený hlavní uzávěr vody	1. Zkontrolovat a otevřít hlavní uzávěr vody
	2. Ucpaný filtr přívodu vody (pokud je namontovaný)	2. Zastavit vodu a filtr vyjmout a vyčistit podle pokynů výrobce
	3. Špatně namontovaný zpětný ventil na přívodu	3. Zkontrolovat a podle potřeby správně namontovat
<b>Z kohoutu horké vody teče studená voda</b>	1. Ovladač na Hydro Unit tepelného čerpadla je nastaven pouze na vytápění	1. Zkontrolovat a upravit nastavení
	2. Tepelné čerpadlo nepracuje	2. Zkontrolovat tepelné čerpadlo. Máte-li podezření na závadu, prostudujte si manuál tepelného čerpadla
	3. Vadné teplotní čidlo vodní válec	3. Zkontrolovat činnost čidla. Podle potřeby vyměnit
<b>Voda z kohoutu horké vody teče pouze teplá</b>	1. Byla uvedena v činnost tepelná pojistka válcový ohřivač	1. Zkontrolovat. Resetovat pojistku stlačením tlačítka.
	2. Vadné teplotní čidlo vodní válec	2. Zkontrolovat funkci čidla. Podle potřeby vyměnit
<b>Voda z kohoutu horké vody teče příliš horká</b>	1. Na řídicí jednotce tepelného čerpadla je nastavena příliš vysoká teplota	1. Zkontrolovat a dle potřeby nastavit
	2. Vadné teplotní čidlo vodní válec	2. Zkontrolovat funkci čidla. Podle potřeby vyměnit
<b>Z pojistného přetlakového ventilu stále vytéká či odkapává voda</b>	1. Tlak vody na přívodu je příliš vysoký	1. Upravte vstupní tlak podle kapitoly Důležité zásady pro instalaci. V případě nutnosti namontujte na přívod vody regulační ventil
	2. Pojistný přetlakový ventil je poškozen	2. Odmontovat a vyměnit

**CZ**

## 11.0 ZÁRUKA

---

Podrobnosti ohledně záruky získáte u svého dodavatele tepelného čerpadla ESTIA.

- 11.1 Ohřívač byl namontován podle těchto pokynů, byly provedeny všechny nutné vstupní kontroly a bezpečnostní ventily byly správně namontovány.
- 11.2 Všechny ventily a ovládací prvky odpovídají specifikacím výrobce.
- 11.3 Se zařízením nebylo nesprávně manipulováno a byla pravidelně prováděna údržba podle pokynů v této příručce.
- 11.4 Zařízení bylo používáno pouze pro ohřev pitné vody (max. 250 mg/l chloridů).
- 11.5 Toto zařízení nebylo vystaveno působení vysokých koncentrací chloru v přívodu vody, ani nesprávnému způsobu desinfekce.
- 11.6 Po uvedení do provozu je třeba zařízení začít používat do 7 dnů. Pokud se tak nestane, je třeba vodu buď vypustit, nebo zařízení pravidelně proplachovat podle pokynů v kapitole „Uvedení do provozu – Varování“.
- 11.7 Záruka se **NEVZTAHUJE** na poškození zařízení vodním kamenem nebo v důsledku zamrznutí.
- 11.8 Tato záruka neovlivňuje zákonná práva zákazníka.

Tato záruka se **NEVZTAHUJE** na venkovní jednotku tepelného čerpadla ESTIA vzduch-voda ani na Hydro Unit ESTIA.

## 12.0 INFORMACE TÝKAJÍCÍ SE ŽIVOTNÍHO PROSTŘEDÍ

---

- 12.1 Tento výrobek je vyroben z mnoha recyklovatelných materiálů. Na konci životnosti je třeba zajistit jeho ekologickou likvidaci podle místních předpisů a podmínek.
- 12.2 Jako izolační materiál je použita CFC/HCFC volně expandovaná polyuretanová pěna s nulovým negativním dopadem na ozonovou vrstvu.

CZ

Z důvodu rychlého vývoje produktů si vyhrazujeme právo měnit uvedené specifikace bez upozornění. Bylo však vynaloženo maximální úsilí, aby veškeré informace zde uvedené byly přesné k datu zveřejnění dokumentu.

## DŮLEŽITÉ INFORMACE A VAROVÁNÍ

**ČTĚTE PŘED INSTALACÍ ZAŘÍZENÍ. UCHOVEJTE NA BEZPEČNÉM MÍSTĚ. NÁSLEDUJÍCÍ INFORMACE JSOU NEZBYTNÉ PRO LIKVIDACI ZAŘÍZENÍ PO SKONČENÍ JEHO ŽIVOTNOSTI NEBO PRO JEHO RECYKLACI.**

- Jsme velmi ohleduplní k životnímu prostředí a vítáme Směrnicí 2002/96/ES OEEZ (Směrnice o odpadních elektrických a elektronických zařízeních).
- Tento výrobek vyhovuje směrnici Evropské unie 2002/96/ES. Po skončení jeho životnosti musí být shromažďován odděleně a nesmí být likvidován jako netříděný komunální odpad.
- Cílem směrnice Evropské unie 2002/96/ES je řešit narůstající objemy odpadních elektrických a elektronických zařízení (EEZ), zvýšit podíl jejich recyklace a omezit celkové množství odpadu EEZ ("OEEZ") určeného k likvidaci.
- Symbol přeškrtnuté odpadní nádoby, kterým je výrobek označen, znamená, že uvedená Směrnice se může tohoto výrobku týkat.
- Uživatel odpovídá za odvoz tohoto výrobku do příslušného sběrného místa, které určí obecní či městský úřad nebo distributor. V případě instalace nového výrobku je možné, že staré OEEZ odveze sám distributor.
- Výrobce, dovozce a distributor odpovídají za sběr a úpravu OEEZ buď přímým způsobem nebo prostřednictvím sběrného systému. Distributor pro vaši zemi je uveden níže.
- V každé zemi je porušení Směrnice trestné.
- Obecně dodržujeme interpretaci CECED (Sdružení evropských výrobců domácích spotřebičů), která považuje Směrnicí OEEZ za platnou pro přenosné jednotky, odvlhčovače, tepelná čerpadla vzduch-voda) a split systémy až do 12 kW, zapojené do chladicích a mrazicích zařízení.
- Zákony různých členských států se však mohou lišit. V případech, kdy vnitrostátní zákony vylučují některé výrobky z rozsahu OEEZ, musí být tyto zákony dodržovány. V zemích, kde tyto výrobky nespádají do rozsahu OEEZ, nemusí být stanovené povinnosti dodržovány.
- Směrnice OEEZ se netýká výrobků prodávaných za hranicemi Evropského společenství. V takových případech nemusí být povinnosti vyplývající ze směrnice OEEZ dodržovány, nicméně musí být zajištěna shoda s veškerými místními předpisy.
- Další informace získáte u městského či obecního úřadu, na prodejně/u prodejce/distributora/installačního technika, který vám výrobek prodal, nebo u výrobce.

CZ



## SUSTAV S TOPLINSKOM CRPKOM ZRAK-VODA

# SPREMNIK VODE U DOMAĆINSTVIMA SA ZATVORENIM IZLAZOM (NIJE ODZRAČEN) – INDIREKTNO ZAGRIJAVANJE

## PRIRUČNIK ZA UGRADNJU I SERVISIRANJE

### VAŽNO

MOLIMO PROČITAJTE I SHVATITE OVE UPUTE PRIJE UGRADNJE SPREMNIK VODE. NEPRAVILNA UGRADNJA MOŽE DOVESTI DO PONIŠTENJA JAMSTVA. UGRADNJU SPREMNIK VODE TREBA IZVRŠITI KVALIFICIRANA OSOBA ZA UGRADNJU U SKLADU S LOKALNIM VODOVODNIM, GRAĐEVNIM I ELEKTRIČNIM ODREDBAMA. MOLIMO, POHRANITE OVAJ PRIRUČNIK S JEDINICOM RADI BUDUĆEG KORIŠTENJA.

### TEHNIČKE SPECIFIKACIJE

Nazivni tlak	1,0 MPa (10 bar)
Testirano tlakom (hidraulično)	1,5 MPa (15 bar)
Minimalni preporučeni dovodni tlak	0,1 MPa (1 bar)
Maks. radni tlak primarnog kruga	0,35 MPa (3,5 bar)
Električne vrijednosti (grijač spremnika)	2,75kW @ 230V~
Težina (napunjen) 150 litara indirektno	181 kg
210 litara indirektno	251 kg
300 litara indirektno	360 kg

**CR**

### UKLJUČENE KOMPONENTE

- Spremnik za vodu koji uključuje električni grijač spremnika i termičke kontrole.
- Sigurnosni blok koji uključuje tlačni ventil za ispušt, kontrolni (nepovratni) ventil i izolirajući ventil.
- Potisne matice i prstenovi.
- Ključ za spremnik vode.



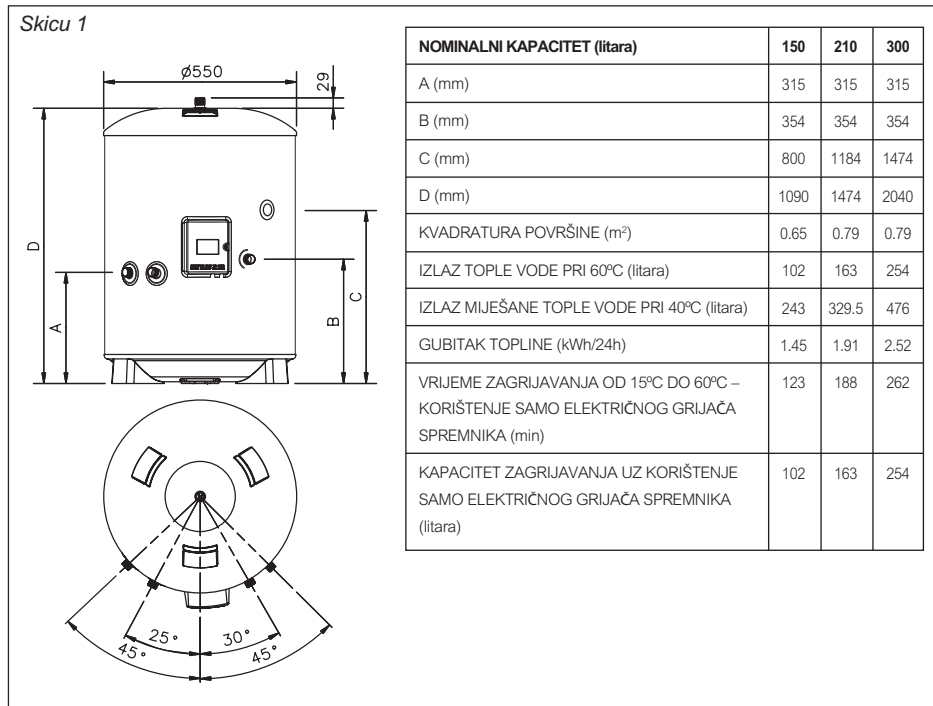
## 1.0 VAŽNE NAPOMENE ZA UGRADNJU

- 1.1 Ovaj je uređaj, za korištenje s ESTIA sustavom zračno-vodene toplinske crpke, namjenski spremnik vode bez ekspanzione posude.
- 1.2 Spremnik vode **MORA** imati postavljen sigurnosni tlačni ventil u skladu s vašim lokalnim vodovodnim i građevinskim odredbama. **AKO NE UGRADITE ODGOVARAJUĆI SIGURNOSNI TLAČNI VENTIL, DOĆI ĆE DO PONIŠTENJA JAMSTVA, A TO MOŽE UZROKOVATI I OPASNOSTI PRI UGRADNJI.**
- 1.3 Ako ulazni tlak premašuje 0,6 MPa (6 bar), potrebno je montirati redukcijski ventil (postavljen na maks. 0,5 MPa (5 bar)) na ulazni dovod grijača. Ovaj redukcijski ventil se **NE SMIJE** montirati između sigurnosnog tlačnog ventila i spremnik vode.
- 1.4 Na ulaznom dovodu spremnik vode treba montirati ventil za provjeru (nepovratni). Ovaj ventil se **NE SMIJE** montirati između sigurnosnog tlačnog ventila i spremnik vode.
- 1.5 Ovaj uređaj nije namijenjen za uporabu od strane osoba (uključujući i djecu) smanjenih fizičkih, osjetilnih ili mentalnih sposobnosti, ili nedovoljnog iskustva i znanja, osim ako ih nadgleda ili su dobili upute o korištenju uređaja od osobe odgovorne za njihovu sigurnost. Djecu treba nadgledati kako bi se spriječilo da se igraju uređajem.

## 2.0 UGRADNJA – OPĆIZAHTJEVI

- 2.1 Nacionalne odredbe o električnim instalacijama mogu sadržavati ograničenja glede ugradnje ovih jedinica u određenim prostorijama, npr. kupaonicama.
- 2.2 Jedinicu **TREBA** ugraditi okomito.
- 2.3 Treba postaviti na ravnu površinu.
- 2.4 Oko jedinice treba ostaviti dovoljno prostora za cijevne spojeve, te za pristup kontrolama i svim montiranim sigurnosnim ventilima. Pogledajte skicu 1 i tablicu dimenzija kako biste odredili pogodnu lokaciju za grijač.
- 2.5 **NAPOMENA:** pobrinite se da pod može izdržati ukupnu težinu jedinice (pogledajte **TEHNIČKE SPECIFIKACIJE**).
- 2.6 **NE** ugrađujte jedinicu tamo gdje bi se mogla zamrznuti.
- 2.7 Glavni dovod vode služi istovremeno za opskrbu toplom i hladnom vodom. Preporučljivo je procijeniti maksimalnu potrebu za vodom i provjeriti dovod kako bismo zajamčili da je tu potrebu moguće zadovoljiti. **NAPOMENA:** visok tlak na dovodu vode ne jamči uvijek veliku protočnost. Preporučujemo da minimalne vrijednosti dovoda ne budu manje od 0,1MPa (1,0 bar) tlaka uz protok od 20 litara u minuti. Međutim, uz ove vrijednosti izlazna protočnost može biti slaba ukoliko se istovremeno koristi više izlaznih točaka. Što su dostupan tlak i protočnost veći, to je rad sustava bolji.
- 2.8 **OGRANIČENJA:**  
Spremnik vode ne smije se koristiti u sljedećim uvjetima:
  - Situacije u kojima postoji vjerojatnost da će održavanje biti zanemareno ili će rad sigurnosnih sustava biti modificiran.
  - Ukoliko je tlak dovoda neadekvatan ili dolazi do prekida u opskrbi vodom.

- Situacije u kojima nije moguć siguran odvod ispusta sa sigurnosnih ventila.
- Područja na kojima voda stalno sadrži visok udio krutih ili otopljenih tvari, osim ukoliko je moguće osigurati adekvatnu filtraciju na dovodu.



### 3.0 UGRADNJA – VODOVODNI RADOVI

- 3.1 Pogledajte poglavlje **VAŽNE NAPOMENE ZA UGRADNJU**. Montirajte ventile redoslijedom prikazanim na skici 2. Pobrinite se da ventili pri montaži budu pravilno okrenuti praćenjem smjera protoka koji je na ventilima označen strelicom. Spremnik vode **MORA** imati postavljen sigurnosni tlačni ventil u skladu s vašim lokalnim vodovodnim i građevinskim odredbama (uključen u sigurnosnom bloku). **AKO NE UGRADITE ODGOVARAJUĆI SIGURNOSNI TLAČNI VENTIL, DOĆI ĆE DO PONIŠTENJA JAMSTVA, A TO MOŽE UZROKOVATI I OPASNOSTI PRI UGRADNJI**. Bilo koja odvodna cijev priključena na sigurnosni tlačni uređaj mora biti montirana u kontinuirano silaznom smjeru u okolini sigurnoj od zamrzavanja.
- 3.2 Navoj na priključcima je G3/4 kako bi se po potrebi omogućila uporaba G3/4 ženskih priključaka. **NEMOJTE** koristiti pocinčane vodovodne cijevi. Ukoliko se koriste čelične cijevi, cijev treba izolirati od posude od nehrđajućeg čelika pomoću dielektričnih spojeva.
- 3.3 **ULAZ** sanitarne vode je označen **PLAVOM** bojom, dok je **IZLAZ** označen **CRVENOM** bojom. Moguće je opsluživati nekoliko izlaza tople vode, međutim, prilikom odabira kapaciteta i broja izlaza treba uzeti u obzir specifične zahtjeve lokacije.
- 3.4 Preporučuje se ugradnja izolacijskog ventila na dovodu hladne vode u grijač.
- 3.5 Na ulaznom cjevovodu ispod grijača mora se montirati slavina za ispuštanje vode. Treba je postaviti između grijača i ventila za provjeru.
- 3.6 Na dovodu hladne vode u krug cirkulacije sanitarne vode može se montirati

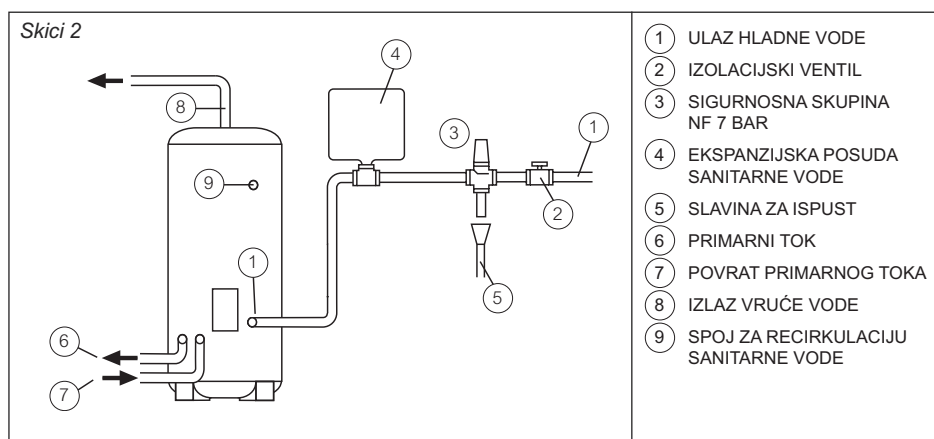
ekspanzijska posuda na način prikazan na skici 2 kako bi se spriječio gubitak vode uslijed povećavanja volumena. Preporučuju se sljedeće veličine:

150 litara posuda od 12 litara

210 litara posuda od 18 litara

300 litara posuda od 24 litara

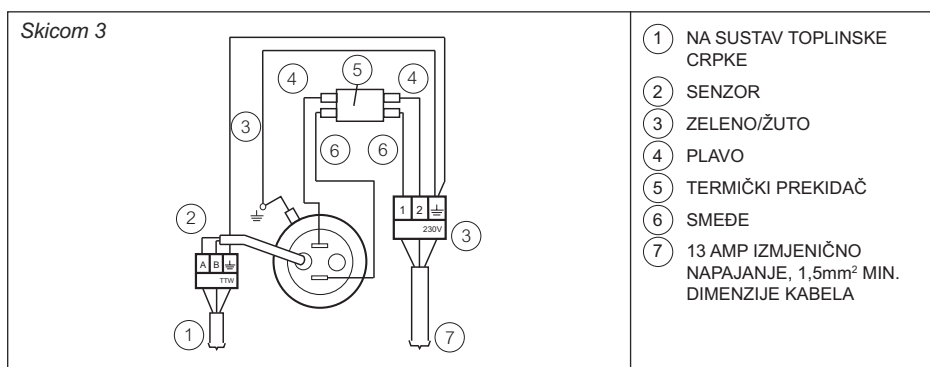
- 3.7 U krugu cirkulacije sanitarne vode može se montirati sklop za recirkulaciju. Postoji priključak za povratnu slavinu recirkulacijskog kruga (ženski s navojem G3/4).
- 3.8 Primarni grijaći sklop **MORA** biti priključen preko Hydro Unit. Za detaljnosti, pogledajte upute za ugradnju isporučene s Hydro Unit.



## 4.0 ELEKTRIČNI ZAHTJEVI

- 4.1 Jedinica se isporučuje s tvornički ugrađenim grijač spremnika s termičkim senzorom i zaštitnom funkcijom isključivanja u slučaju previsoke temperature. Nazivna snaga grijač spremnika je 2,75kW pri 230V ~.
- 4.2 Grijač spremnika se nalazi iza bijelog plastičnog pokrova na prednjoj strani jedinice. Poklopac je pričvršćen s po dva vijka na svakoj strani i kupolastom maticom s navojem na prednjoj strani poklopca. **IZOLIRAJTE ELEKTRIČNO NAPAJANJE PRIJE UKLANJANJA POKROVA.**
- 4.3 Grijač spremnika **MORA** biti uzemljen.
- 4.4 Električno ožičenje treba u potpunosti izvesti kvalificirani električar u skladu s aktualnim nacionalnim odredbama o električnim instalacijama. Električni krug treba zaštititi odgovarajućim osiguračem i dvopolnim izolacijskim prekidačem s razmakom među kontaktima od najmanje 3mm na oba pola.
- 4.5 Grijač spremnika treba povezati u skladu sa skicom 3 i priručnikom za ugradnju toplinske crpke. Kabel napajanja treba biti doveden preko kućišta upravljačkog sklopa toplinske crpke, izravan spoj na mrežno električno napajanje će dovesti do poništenja jamstva, a može rezultirati i opasnom ugradnjom. Kabel napajanja treba provući kroz isporučenu desnu kabelsku uvodnicu, a vanjski plašt kabela treba sigurno učvrstiti pritezanjem vijka na kabelskoj uvodnici. Preporučeni tip kabela je 2,5mm<sup>2</sup> trojezgreni kabel s zaštitnim omotačem otporan na toplinu.
- 4.6 Toplinski senzor treba priključiti na kućište upravljačkog sklopa toplinske crpke u skladu sa skicom 3 i priručnikom za ugradnju toplinske crpke. Kabel toplinskog senzora treba provući kroz isporučenu lijevu kabelsku uvodnicu, a vanjski plašt kabela treba sigurno učvrstiti pritezanjem vijka na kabelskoj uvodnici. Senzorski kabel treba biti 0,75mm<sup>2</sup> dvojezgreni + zaštita (uzemljenje) predviđen za struju do 100mA. Kabel ne smije biti dulji od pet metara.

- 4.7 Prije početka rada uklonite pokrov priključaka.
- 4.8 **NE** zagrijavajte jedinicu dok se spremnik vode u potpunosti ne napuni vodom.
- 4.9 Termoregulacija spremnika vode provodi se pomoću kontrola Hydro Unit. Konzultirajte Instalacijski priručnik zračno-vodene toplinske crpke za upute o postavljanju temperature pohrane tople vode.
- 4.10 Električno napajanje grijač spremnika iz toplinske crpke vrši se preko sklopa za isključivanje u slučaju prevelike temperature, koji će isključiti grijač spremnika u slučaju kvara toplinskog upravljanja. Nipošto **NE** premošćujte sklop za toplinsko isključivanje.



## 5.0 PUŠTANJE U RAD

**UPOZORENJE:** Voda koja dugo bez uklanjanja ostane u spremnik vode od nehrđajućeg čelika postat će deoksigenizirana te može uzrokovati koroziju materijala posude. Ukoliko se instalacija neće koristiti nakon ugradnje i puštanja u rad, treba ispustiti vodu iz grijača ili grijač redovito (jednom tjedno) ispirati svježom vodom iz vodovoda.

Pri puštanju jedinice u rad potrebno je ponoviti niže navedeni postupak punjenja jedinice i provjera sustava.

- 5.1 **NE** uključujte toplinsku crpku dok se jedinica ne napuni vodom i dok ne provjerite ima li curenja vode.
- 5.2 Provjerite jesu li zadovoljeni svi zahtjevi za ugradnju, električno povezivanje i odvodnu cijev.
- 5.3 Provjerite jesu li svi cijevni i električni spojevi pravilno izvedeni, te čvrsto zategnuti.
- 5.4 Otvorite slavinu za toplu vodu isporučenu s jedinicom, te otvorite dovod hladne vode u jedinicu.
- 5.5 Renu slavinu tople vode kako bi se ispraznio sav zrak iz sustava i isprao cjevovod. Zatvorite slavinu za toplu vodu.
- 5.6 Otvorite redom slavine za toplu vodu u nizu kako bi se ispraznio sav zrak iz sustava.
- 5.7 Zatvorite sve slavine za toplu vodu i provjerite ima li curenja vode iz sustava, te po potrebi popravite.
- 5.8 Ručno isprobajte rad sigurnosnog tlačnog ventila. Uvjerite se da voda slobodno teče iz ventila i kroz odvodnu cijev.

CR

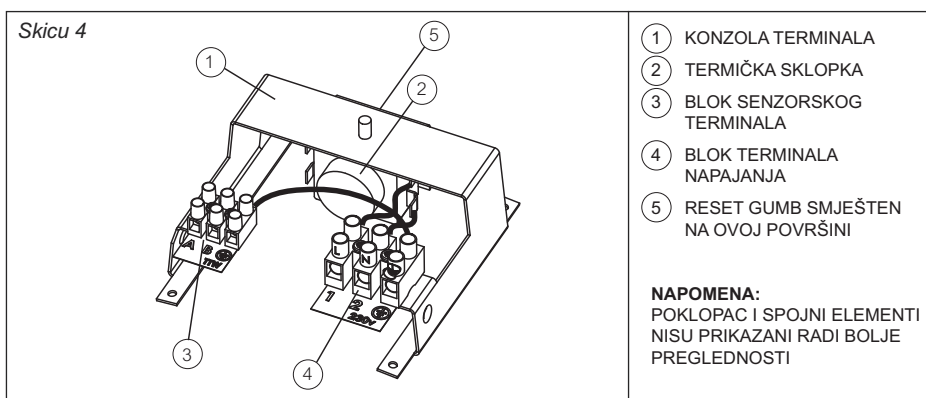
- 5.9 Napunite primarni sklop u skladu s odjeljkom "Vodovodna cijev" Instalacijskog priručnika Hydro Unit. Ispustite zaostali zrak otvaranjem zračnog ispusta ili automatskog zračnog ispusta.
- 5.10 Uključite električno napajanje toplinske crpke i pobrinite se da programator bude postavljen u način rada za **TOPLUVODU**. Provjerite rade li svi motorni ventili ili primarne crpke, te pričekajte da se jedinica zagrije. Temperaturu tople vode moguće je mijenjati pomoću daljinskog upravljača Hydro Unit, detalje potražite u Korisničkom priručniku zračno-vodene toplinske crpke.

## 6.0 ODRŽAVANJE – UKLANJANJE KAMENCA S GRIJAČ SPREMNIKA

- 6.1 Potrebno održavanje je svedeno na minimum, međutim, u područjima s tvrdom vodom bit će potrebno povremeno ukloniti kamenac u jedinici kako bi se osigurao učinkovit rad. Za uklanjanje kamenca iz jedinice:
- 6.2 Isključite i iskopčajte električno napajanje, te isključite toplinski crpke. Zatvorite dovod vode u jedinicu.
- 6.3 Otvorite slavinu tople vode na jedinici kako biste oslobodili tlak iz sustava. Ispraznite jedinicu otvaranjem ventila za ispuštanje vode na ulaznom cjevovodu.
- 6.4 Otvorite pokrov priključaka. Odspojite kabele koji povezuju sklop za isključivanje u slučaju pregrijavanja i grijač spremnika. Izvlačenjem prema van pažljivo uklonite toplinski senzor iz njegovog ležišta na grijač spremnika.
- 6.5 Izvlačenjem prema van pažljivo uklonite sondu sklopa za toplinsko isključivanje u slučaju pregrijavanja iz njenog ležišta na grijač spremnika. Pazite da ne savijete kapilarnu cijev.
- 6.6 Povlačenjem od elementa prema van, uklonite izolacijski plašt s krajeva elementa.
- 6.7 Odvijte stražnju maticu grijač spremnika. S jedinicom je isporučen i ključ za jednostavno uklanjanje/pritezanje stražnje matice grijač spremnika. Izvadite grijač spremnika iz jedinice. **IMAJTE NAUMU** da se brtva grijač spremnika može tijekom vremena zalijepiti na površinu podmetača; kako biste slomili brtvu, umetnite okrugli odvijač u jedno od ležišta na grijač spremnika i polako ga pomičite gore i dolje principom poluge.
- 6.8 Pažljivo uklonite sav kamenac s površine elementa. **NE** koristite oštre predmete kako ne biste oštetili površinu elementa.
- 6.9 Provjerite jesu li površine za brtvljenje čiste i neoštećene. U slučaju nedoumice, postavite novu brtvu.
- 6.10 Ponovno postavite grijač spremnika na njegovo mjesto, pazeći pritom da krajevi elementa budu u **OKOMITOJ** ravnini (pogledajte skicu 3). Učvrstite ponovnim postavljanjem i pritezanjem stražnje matice grijač spremnika. Prilikom pritezanja stražnje matice možete pridržati grijač spremnika tako da u jedno od ležišta elementa umetnete okrugli odvijač.
- 6.11 Ponovno postavite izolacijski plašt, pažljivo ga gurajući preko krajeva elementa dok se ne poravna s površinom montirne ploče.
- 6.12 Ponovno postavite kapilarnu cijev sklopa za isključivanje u slučaju pregrijavanja u **LIJEVO** ležište grijača spremnika. Uvjerite se kako je umetnuta do kraja i kako

kapilarna cijev nije savinuta. Uvjerite se kako je kapilarna cijev postavljena tako da ne dolazi u kontakt s krajevima elementa.

- 6.13 Ponovno postavite toplinski senzor u **LIJEVO** ležište grijača spremnika, iza sklopa za isključivanje u slučaju pregrijavanja. Uvjerite se kako je umetnut do kraja, te kako je pričvrtni prsten umetnut u otvoreni kraj utora.
- 6.14 Ponovno postavite kableske spojeve grijač spremnika umetanjem muških priključaka u ženske priključke na krajevima elementa u skladu sa skicom 3. Provjerite jesu li svi kableski priključci čvrsto i sigurno spojeni. Ponovno postavite i pričvrstite pokrov priključaka.
- 6.15 **NE UKLJUČUJTE NI TOPLINSKU CRPKU, NITI GRIJAČ SPREMNIKA DOK SE JEDINICA PONOVO NE NAPUNI VODOM.** Ponovno pustite jedinicu u rad prateći upute za ugradnju i **PUŠTANJE U RAD.**



## 7.0 ODRŽAVANJE – SIGURNOSNI VENTILI

- 7.1 Potrebno je redovito provjeravati ispravnost rada sigurnosnog tlačnog ventila i svih drugih sigurnosnih ventila.
- 7.2 Ručnim otvaranjem ventila provjerite da li voda slobodno teče iz ventila i kroz odvodnu cijev. **NAPOMENA:** voda koja se ispušta može biti vrlo vruća. Provjerite vraća li se ventil pravilno kada se otpusti.

CR

## 8.0 KORISNIČKE UPUTE

- 8.1 Temperatura pohrane vode u Spremniku sustava zračno-vodene toplinske crpke postavlja se na kontrolnoj ploči Hydro Unit. Može se podesiti na temperature u rasponu od 40°C do 75°C, preporučena vrijednost je 60°C. Po potrebi, potražite detalje o podešavanju temperature pohrane vode u Instalacijskom priručniku Hydro Unit.
- 8.2 Kako biste izbjegli rizik od zamrzavanja kada se grijač ne koristi u duljim razdobljima tijekom zimskih mjeseci, preporučljivo je zatvaranja primarnog dovoda toplinske crpke i isključivanje grijač spremnika te pražnjenje spremnik vode. **NAPOMENA:** ovime nisu zaštićeni ostali dijelovi cjevovoda sustava. Ukoliko se ovo učini, mora biti proveden cjelokupan postupak puštanja u rad spremnik vode prije uključivanja toplinske crpke i grijač spremnika kako bi se izbjegla mogućnost oštećenja.
- 8.3 Kako bi se održala optimalna radna učinkovitost grijača, povremeno ga treba održavati u skladu s priloženim uputama u odlomcima poglavlja **ODRŽAVANJE.**

## 8.4 VAŽNE NAPOMENE ZA KORISNIKA

- Nemojte blokirati ili zapriječiti odvod iz bilo kojeg montiranog sigurnosnog ventila.
- Ne vršite preinake na nijednom montiranom sigurnosnom ventilu.
- Nipošto NE premošćujte sklop za isključivanje u slučaju pregrijavanja.
- Ako sumnjate na kvar, kontaktirajte kvalificiranog stručnjaka radi provjere sustava.

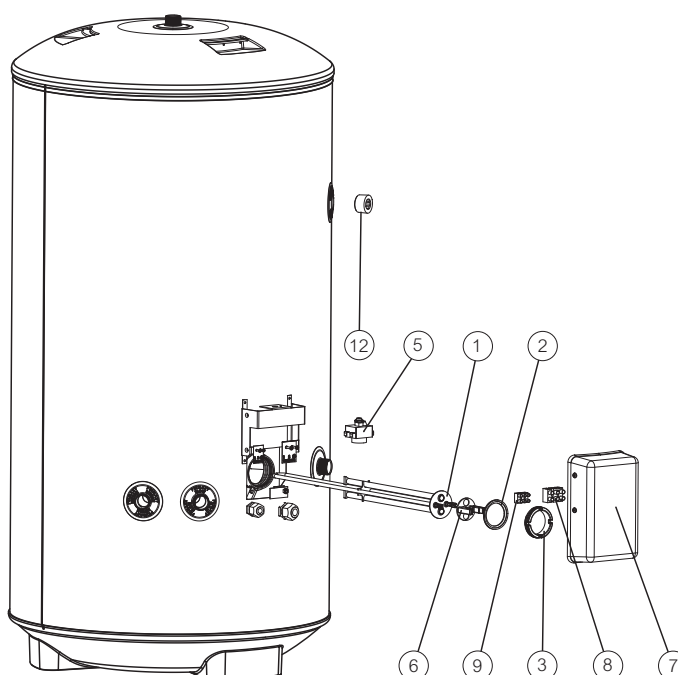
## 9.0 REZERVNI DIJELOVI

9.1 Za spremnik vode s toplinskom crpkom na raspolaganju je sljedeći popis rezervnih dijelova. Pogledajte naljepnicu s tehničkim podacima na jedinici kako biste utvrdili koji je model ugrađen i kako biste osigurali naručivanje odgovarajućih rezervnih dijelova.

9.2 NE koristite rezervne dijelove koje proizvođač nije preporučio, jer će to dovesti do poništenja jamstva, a može uzrokovati i opasnosti pri ugradnji.

9.3 Opis	Br. dijela
① Grijač spremnika.....	95:606:967
② Brtva grijač spremnika .....	95:611:012
③ Stražnja matica grijač spremnika .....	95:607:118
Ključ za grijač spremnika .....	95:607:119
⑤ Sklop za isključivanje u slučaju pregrijavanja (grijač spremnika) .....	95:612:038
⑥ Izolacijski plašt krajeva elementa .....	95:607:115
⑦ Pokrov priključaka .....	95:614:109
⑧ Priključni blok (spoj grijač spremnika) .....	95:607:113
⑨ Priključni blok (spoj toplinskog senzora) .....	95:607:114
Toplinski senzor .....	95:612:037
Komplet kompresijskih matica i spojnica .....	95:607:116
⑫ Čep priključka za sekundarni recirkulacijski krug .....	95:607:117
Sigurnosni blok .....	95:605:073

Skicu 5



## 10.0 OTKLANJANJE POTEŠKOĆA

U sljedećoj tablici navode se neki uobičajeni problemi, njihovi mogući uzroci i mjere za njihovo otklanjanje. Svako servisiranje spremnik vode i toplinske crpke treba vršiti osposobljena stručna osoba za ugradnju.

PROBLEM	MOGUĆI UZROK	MJERA ZA UKLANJANJE
<b>Nema protoka tople vode</b>	1. Glavni dovod vode je zatvoren	1. Provjerite i otvorite glavni dovod vode
	2. Začepljen glavni filter vode (ako je ugrađen)	2. Zatvorite dovod vode. Uklonite filter i očistite ga u skladu s uputama proizvođača
	3. Nepravilno montirani ulazni upravljački ventili	3. Provjerite i po potrebi ponovno montirajte
<b>Voda iz slavine za toplu vodu je hladna</b>	1. Upravljački uređaj na Hydro Unit toplinske crpke je postavljen samo na prostorno zagrijavanje	1. Provjerite postavku
	2. Toplinska crpka ne radi	2. Provjerite rad toplinske crpke. Ako posumnjate na kvar, pogledajte priručnik toplinske crpke
	3. Kvar senzora temperature spremnik vode	3. Provjerite rad senzora. Zamijenite ga po potrebi
<b>Voda iz slavine za toplu vodu je samo mlaka</b>	1. Aktivirao se sklop za isključivanje grijač spremnika u slučaju pregrijavanja	1. Provjerite. Resetirajte pritiskom na gumb na sklopu za isključivanje
	2. Kvar senzora temperature spremnik vode	2. Provjerite rad senzora. Izmijenite ga po potrebi
<b>Voda iz slavine za toplu vodu je prevruća</b>	1. Postavljena je previsoka temperatura za pohranu vode na upravljačkom uređaju toplinske crpke	1. Provjerite i po potrebi podesite
	2. Kvar senzora temperature spremnik vode	2. Provjerite rad senzora. Izmijenite ga po potrebi
<b>Voda neprestano izlazi kroz sigurnosni tlačni ventil</b>	1. Previsok tlak vode iz vodovodne mreže	1. Informacije o pravilnom tlaku potražite u poglavlju Važne napomene za ugradnju. Po potrebi montirajte redukcijski ventil na ulazni dovod vode
	2. Oštećen dosjed sigurnosnog tlačnog ventila	2. Uklonite i zamijenite

**CR**



## 11.0 JAMSTVO

---

Molimo da za jamstvene detalje kontaktirate vašeg dobavljača toplinskih crpki ESTIA.

- 11.1 Jedinica je bila ugrađena u skladu s ovim uputama i svi ulazni upravljački uređaji i sigurnosni ventili su bili pravilno montirani.
- 11.2 Svi ugrađeni ventili i upravljački uređaji preporučeni su od strane proizvođača.
- 11.3 Na jedinici se nisu vršile preinake i jedinica je bila redovito održavana na način opisan u ovim uputama.
- 11.4 Jedinica se koristila isključivo za grijanje pitke vode (maks. 250mg/l klorida).
- 11.5 Jedinica nije izlagana visokim razinama klora u vodi ili nepravilnim metodama dezinfekcije.
- 11.6 Uređaj je nakon puštanja u rad stavljen u uporabu unutar roka od 7 dana. Ukoliko to nije slučaj, potrebno je ispustiti vodu ili redovito ispirati u skladu s navedenim u odjeljku "Puštanje u rad – Upozorenje".
- 11.7 Jamstvo **NE** vrijedi za oštećenja uslijed zamrzavanja ili nakupljanja kamenca.
- 11.8 Ovo jamstvo ne utječe na zakonska prava korisnika.

Ovo jamstvo **NE** odnosi se na ESTIA Vanjsku jedinicu zračno-vodene toplinske crpke ili ESTIA Hydro Unit.

## 12.0 INFORMACIJE O ZAŠTITI OKOLIŠA

---

- 12.1 Ovaj je proizvod izrađen od raznih materijala koji se mogu reciklirati. Na kraju njegovog radnog vijeka treba ga odložiti u lokalni centar za recikliranje kako biste pridonijeli zaštiti okoliša.
- 12.2 Izolacijski materijal je ekspanzirana poliuretanska pjena koja ne sadrži CFC/HCFC, faktor osiromašenja ozonskog sloja jednak je nuli.

**CR**

**Brzina razvoja proizvoda je takva da zadržavamo pravo na promjenu specifikacija proizvoda bez prethodne obavijesti. Međutim, svakako nastojimo da sve informacije u ovoj brošuri budu u trenutku izdavanja točne.**

## VAŽNE INFORMACIJE I UPOZORENJE

**PROČITAJTE PRIJE UGRADNJE JEDINICE. DRŽITE NA SIGURNOM MJESTU. INFORMACIJE U SLJEDEĆIM NAPOMENAMA POTREBNE SU ZA ODLAGANJE JEDINICE U OTPAD ILI PONOVNU UPORABU JEDINICE.**

- Vrlo smo obzirni prema okolišu i pozdravljamo uredbu 2002/96/EC WEEE (Otpadna električna i elektronska oprema).
- Ovaj proizvod je sukladan uredbi EU 2002/96/EC. Mora biti odvojeno prikupljeno nakon što se korištenje dovrši i ne smije se odložiti kao nerazvrstani komunalni otpad.
- Ciljevi uredbe EU 2002/96/EC su hvatanje u koštac s brzo rastućom količinom otpada električne i elektronske opreme, povećanje stope recikliranja električne i elektronske opreme ("EEE") i reduciranje ukupne količine EEE otpada ("WEEE") koji se odlaže.
- Prekriženi simbol kante za smeće s kotačima koji se nalazi na proizvodu označava da se na ovaj proizvod može primijeniti spomenuta uredba.
- Korisnik je odgovoran za vraćanje proizvoda u odgovarajući centar za prikupljanje otpada u skladu s odredbama vaše lokalne samouprave ili distributera. U slučaju ugradnje novog proizvoda, možete se dogovoriti s distributerom da preuzme stari WEEE.
- Proizvođač, uvoznik i distributer odgovorni su za prikupljanje i zbrinjavanje WEEE, bilo neposredno ili putem sustava za prikupljanje otpada. Distributer za vašu državu je naveden dolje.
- U slučaju kršenja odredbe, u svakoj državi postoje sankcije.
- Mi općenito slijedimo CECED interpretaciju, koja smatra da se WEEE uredba odnosi na prijenosne jedinice, odvlaživače, WRAC-ove (prozorske sobne toplinske crpke zrak-voda), razdvojene sustave do 12kW, te priključive hladnjake i zamrzivače.
- Ipak, mogu postojati odstupanja u zakonima pojedinih zemalja članica. U slučaju kada nacionalni zakoni isključuju određene proizvode iz WEEE nadležnosti, treba poštivati te zakone. U zemljama u kojima WEEE ne pokriva ove proizvode nije potrebno poštivati WEEE obveze.
- WEEE uredba se ne odnosi na proizvode prodane izvan Europske zajednice. U tim slučajevima se ne treba pridržavati WEEE obveza, no potrebno je osigurati poštivanje svih lokalnih propisa.
- Za detaljnije informacije molimo kontaktirajte lokalnu samoupravu, trgovinu/trgovca/distributera/montažera koji je prodao proizvod ili proizvođača.

**CR**



## LEVEGŐ-VÍZ HŐSZIVATTYÚ RENDSZER

### FORRÓ VÍZ TARTÁLY KÖZVETETT FŰTÉSI MÓDSZER ZÁRT KIMENET (SZELLŐZTETÉS NÉLKÜL)

## FELSZERELÉSI ÉS SZERVIZELÉSI KÉZIKÖNYV

#### FONTOS

KÉRJÜK, OLVASSA EL ÉS BIZONYOSODJON MEG, HOGY MEGÉRTETTE JELEN UTASÍTÁSOKAT MIELŐTT A VÍZTARTÁLY FELSZERELÉSÉHEZ FOGNA. A NEM MEGFELELŐ FELSZERELÉS ÉRVÉNYTELENÍTHETI A GARANCIÁT. A VÍZTARTÁLYT SZAKKÉPZETT VÍZSZERELŐNEK KELL FELSZERELNIE, A HELYI VÍZVEZETÉK ÉS GÁZSZERELÉSI, ÉPÍTKEZÉSI, ILLETVE ELEKTROMOSSÁGRA VONATKOZÓ ELŐÍRÁSOKNAK MEGFELELŐEN. KÉRJÜK, TARTSA MEG JELEN KÉZIKÖNYVET AZ EGYSÉGGEL JÖVŐBENI HIVATKOZÁS CÉLJÁBÓL.

#### MŰSZAKI ADATOK

Névleges nyomás	1.0 MPa (10 bar)
Tesztnyomás (hidraulikus)	1.5 MPa (15 bar)
Ajánlott minimális hálózati nyomás	0.1 MPa (1 bar)
Max. elsődleges körforgási üzemi nyomás	0.35 MPa (3.5 bar)
Elektromos teljesítmény (merülőforraló)	2.75kW @ 230V~
Súly (teljes)	150 liter közvetett 181 kg
	210 liter közvetett 251 kg
	300 liter közvetett 360 kg

**HU**

#### A CSOMAGBAN MEGTALÁLHATÓ KOMPONENSEK

- Elektromos tartálymelegítővel és hővezérlőkkel felszerelt víztartály.
- Biztonsági csomag túlnyomáscsökkentő szeleppel, elzáró (visszacsapó) szeleppel és leválasztószeleppel.
- Nyomócsavarok és csatlakozógyűrűk.
- Csavarkulcs a tartálymelegítőhöz.

## 1.0 FONTOS SZERELÉSI PONTOK

---

- 1.1 Ez az ESTIA levegő-víz hőszivattyúhoz tervezett egység egyedi, nem szellőztetett víztartály.
- 1.2 A víztartályra **KÖTELEZŐ MÓDON** olyan túlnyomáscsökkentő szelepet kell szerelni, amely megfelel a vízgázszerelésre és belsőépítkezésre vonatkozó helyi előírásoknak. **AMENNYIBEN NEM BIZTOSÍT MEGFELELŐ TÚLNYOMÁSCSÖKKENTÉST ÉRVÉNYTELENÍTHETI A GARANCIÁT, TOVÁBBÁ A FELSZERELÉS VESZÉLYEKSEL JÁR HAT.**
- 1.3 Ha a hálózati nyomás meghaladja a 0.6 MPa (6 bar), a a bemenet és a melegítő közé egy nyomáscsökkentő szelepet (0.5 MPa (5 bar) -ra állítva) kell szerelni. Ezt a szelepet **NEM SZABAD** a túlnyomáscsökkentő szelep és a víztartály közé szerelni.
- 1.4 A bemenet és a víztartály közé egy elzáró (visszacsapó) szelepet kell szerelni. Ezt a szelepet **NEM SZABAD** a túlnyomáscsökkentő szelep és a víztartály közé szerelni.
- 1.5 Ezt a berendezést nem használhatják olyan személyek (ideértve a gyerekeket is), akik korlátozott fizikai, érzékszervi vagy szellemi képességekkel rendelkeznek, illetve nem rendelkeznek elegendő ismeretekkel vagy tapasztalattal a berendezés használatához, kivéve, ha a biztonságukért felelős személy felügyeli vagy ellátja őket a megfelelő utasításokkal. Vigyázzon, hogy gyerekek ne játszanak a berendezéssel!

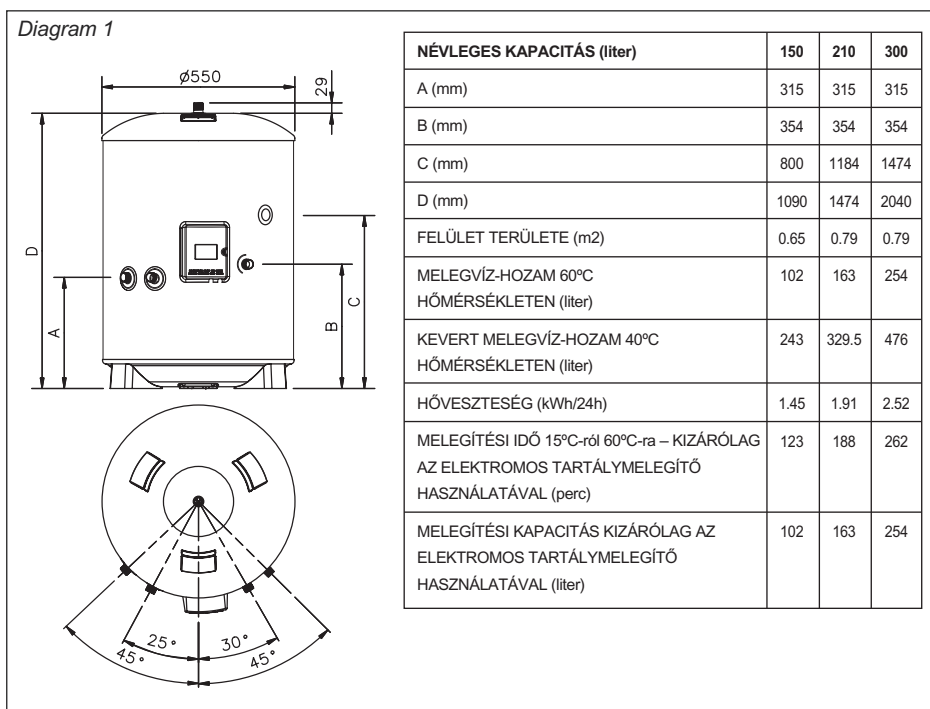
## 2.0 FELSZERELÉS – ÁLTALÁNOS KÖVETELMÉNYEK

---

- 2.1 A nemzeti huzalozásra vonatkozó szabályok korlátozhatják az ilyen egységek felszerelési helyét, pld. fürdőszobákban.
- 2.2 Az egységet **KÖTELEZŐEN** függőlegesen kell felszerelni.
- 2.3 Az egységet egyenletes felületre kell elhelyezni.
- 2.4 Az egység körül elegendő szabad helyet kell hagyni a csőcsatlakozásoknak és a vezérlőkhöz, illetve a felszerelt biztonsági szelepekhez való hozzáférés biztosításához. A melegítő megfelelő helyzetének meghatározásához tanulmányozza a 1. ábrát, illetve a Méretek táblázatát.
- 2.5 **MEGJEGYZÉS:** Bizonyosodjon meg arról, hogy a padló megbírja az egység teljes súlyát (lásd a **MŰSZAKI ADATOK** részt).
- 2.6 NE szerelje olyan helyre, ahol az egység elfagyhat.
- 2.7 A lakás vízellátási hálózata fogja szolgáltatni egyszerre a szükséges a meleg és hideg vizet. Ajánlott felmérni a maximális vízigényt és ellenőrizni a vízellátási hálózatot, hogy képes-e megfelelően kielégíteni a vízigényt. **MEGJEGYZÉS:** a magas hálózati víznyomás nem feltétlenül biztosítja a magas hozamot. Javaslatunk szerint a minimális vízellátási követelmények a következők: 0.1MPa (1.0 bar) nyomás és percenként 20 literes hozam. Ennek ellenére, ezeknél az értékeknél a kimeneti hozam gyengébb lehet, ha egyszerre több kimenet van használatban. Minél magasabbak a rendelkezésre álló nyomás és hozam, annál jobb lesz a rendszer teljesítménye.

2.8 **KORLÁTOZÁSOK:** A víztartály nem használható a következő esetekben:

- Olyan helyzetekben, amikor előreláthatóan a karbantartás el lesz hanyagolva vagy a biztonsági szerkezetek módosítva vannak.
- Nem megfelelő nyomású vagy ingadozó vízellátás esetén.
- Olyan helyzetekben, amikor nem lehetséges a biztonsági szelepektől biztonságosan elvezetni a kilépő vizet.
- Olyan helyeken, ahol a vízellátás folyamatosan nagymértékű szilárd halmazállapotú vagy szuszpendált anyagokat tartalmaz, kivéve, ha a bemeneti vonalon megfelelő szűrés biztosítható.

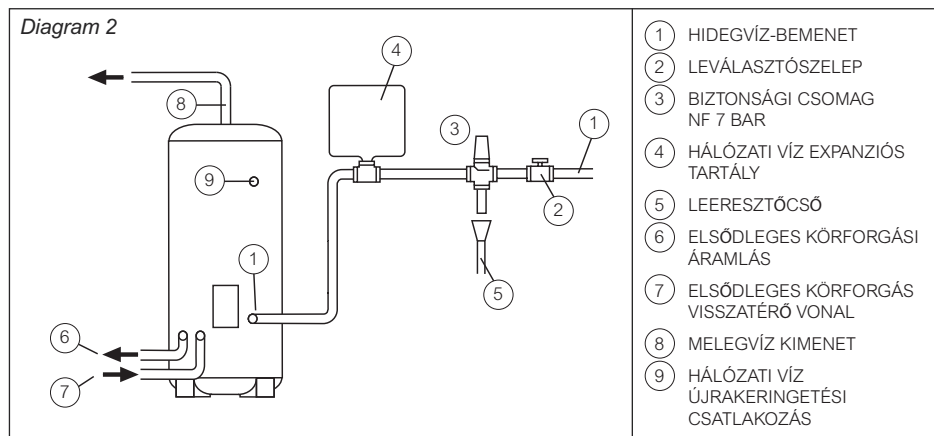


## 3.0 FELSZERELÉS – VÍZVEZETÉK-HÁLÓZAT

HU

- 3.1 Tanulmányozza a **FONTOS SZERELÉSI PONTOK** részt. A szelepeket az 2. ábrán bemutatott sorrendben kösse be. Bizonyosodjon meg, hogy a szelepeket a megfelelő irányban szerelte be, figyelve a szelepeken feltüntetett áramlási irányt jelző nyilakra. A víztartályra **KÖTELEZŐ MÓDON** olyan túlnyomáscsökkentő szelepet kell szerelni, amely megfelel a vízgázszelvényre és belsőépítkezésre vonatkozó helyi előírásoknak (megtalálható a biztonsági csomagban). **AMENNYIBEN NEM BIZTOSÍT MEGFELELŐ TÚLNYOMÁSCSÖKKENTÉST ÉRVÉNYTELENÍTHETI A GARANCIÁT, TOVÁBBÁ A FELSZERELÉS VESZÉLYEKEL JÁR HAT.** A túlnyomáscsökkentő berendezéshez csatlakoztatott bármilyen leeresztőcsövet folyamatosan lefele irányuló helyzetben kell felszerelni, elfagyásveszélytől mentes környezetben.
- 3.2 Az egység vízvezeték-csatlakozásai 22 mm-es külső átmérőjű vízcsövekkel való közvetlen csatlakozásra vannak tervezve; a csomagban megtalálható csavaranyák és csatlakozógyűrűk erre a célra szolgálnak. A csatlakozások menetmérete G3/4, így szükség esetén G3/4 méretű belső menetes csatlakozások használhatók. **NE** használjon cinkbevonatos vízcsöveket. Ha acélcsöveket használ, el kell szigetelni azokat a rozsdamentes acéلبól készült tartálytól dielektromos csatlakozókkal.

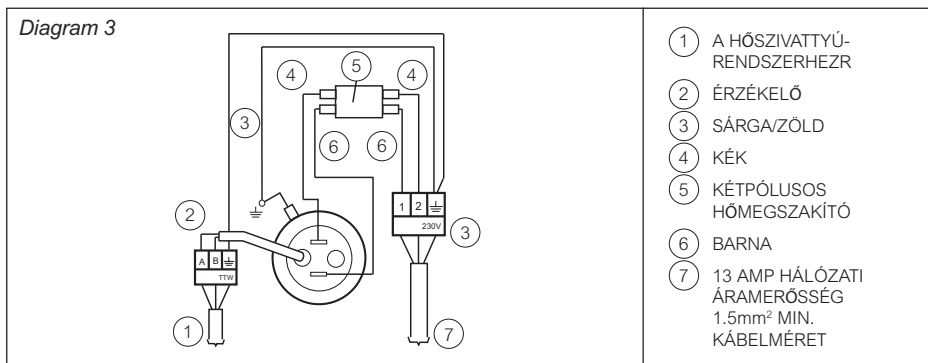
- 3.3 A hálózati víz **BEMENETE KÉKKEL** van megjelölve, a **KIMENET** pedig **VÖRÖSSEL**. Több melegvíz-kimenetet is ki lehet szolgálni, azonban figyelembe kell venni a helyszíni igényeket a kiszolgált kimenetek teljesítményének és számának meghatározásakor.
- 3.4 Ajánlott egy leválasztószelepet bekötni a hideg víz bemenete és a melegítő közé.
- 3.5 A bemeneti csövezetre egy leeresztőcsapot kell szerelni, a melegítő alá. Ezt a tartály és az elzárószelep közé kell bekötni.
- 3.6 A hideg víz ellátási vonalra egy hálózati körforgási expanziós tartályt is lehet szerelni, amint az 2. ábrán is látható, a kitégült víz elvesztésének megakadályozására. Az ajánlott méretek a következők:  
 150 liter 12 literes tartály  
 210 liter 18 literes tartály  
 300 liter 24 literes tartály
- 3.7 Az épület vízhálózatára egy újrakeringetési vonal is szerelhető. Az újrakeringetési vonal bekötéséhez egy csatlakozó áll rendelkezésre (belső G3/4 menettel).
- 3.8 Az elsődleges melegítési vonalat **KÖTELEZŐEN** a Hydro Unit keresztül kell csatlakoztatni. Részletekért tanulmányozza a Hydro Unit felszerelési útmutatóját.



## 4.0 ELEKTROMOSSÁGI KÖVETELMÉNYEK

- 4.1 Az egység gyárilag beszerelt tartálymelegítővel rendelkezik, amelyre hőérzékelő és túlmelegedési megszakító van szerelve. A tartálymelegítő névleges teljesítmény 2.75kW, 230V feszültségen~.
- 4.2 A tartálymelegítő az egység elülső oldalán található fehér fedőlap alatt helyezkedik el. A fedőlapot két-két csavar rögzíti mindkét oldalán, valamint egy menetelt sapkás anyag az alsó oldalon. **MIELŐTT ELTÁVOLÍTANÁ A FEDŐLAPOT SZIGETELJE EL AZ ELEKTROMOS ELLÁTÁST.**
- 4.3 A tartálymelegítőt **KÖTELEZŐEN** földelni kell.
- 4.4 Az összes elektromos huzalozást szakképzett villanyszerelőnek kell elvégeznie, az érvényben lévő elektromos huzalozásra vonatkozó nemzeti törvények betartásával. Az áramkört megfelelő olvadóbiztosítóval és egy, mindkét pólusnál legalább 3 mm-es érintkezőközzel rendelkező kétpólusos szakaszolóval biztosítani.

- 4.5 A tartálymelegítőt a 3. ábra szerint, valamint a levegő-víz hőszivattyú felszerelési kézikönyv utasításainak megfelelően kell bekötni. A tápkábelt a Hydro egységhez kell csatlakoztatni, a hálózati áramellátáshoz való közvetlen csatlakoztatás érvényteleníti a garanciát, továbbá veszélyessé teheti a beszerelést. A tápkábelt a jobboldali kábelszorítón kell átvezetni, és a kábel külső burkolatát szorosan rögzíteni kell a kábelszorítón található csavarral. Az ajánlott kábeltípus: 2.5 mm<sup>2</sup>-es, három szál, burkolt és hőálló.
- 4.6 A hőérzékelőt a 3. ábra szerint, valamint a levegő-víz hőszivattyú felszerelési kézikönyv utasításainak megfelelően kell a Hydro egységhez csatlakoztatni. A hőérzékelő kábelét a baloldali kábelszorítón kell átvezetni, és a kábel külső burkolatát szorosan rögzíteni kell a kábelszorítón található csavarral. Az érzékelő kábel típusa: 0.75 mm<sup>2</sup>-es, 2 szál + védőszál (földelés), 100mA maximális névleges áramerősségű. A kábel hossza ne haladja meg az öt métert.
- 4.7 Használat előtt helyezze vissza az érintkezőkre a védőlapot,
- 4.8 **NE** melegítse fel az egységet mielőtt a víztartály teljesen fel nem telt vízzel.
- 4.9 A víztartály melegítése a Hydro Unit vezérlővel szabályozható. A melegvíz tárolási hőmérsékletének beállítására vonatkozó utasításokat a levegő-víz hőszivattyú felszerelési kézikönyvében találja meg.
- 4.10 A Hydro Unit által a tartálymelegítőhöz szolgáltatott elektromos áram vonalára egy túlmelegedési megszakító van kötve, amely hibás hővezérlés esetén kikapcsolja a tartálymelegítőt. Semmilyen körülmények között **NE** hidalja át a hőmegszakítót.



## 5.0 ÜZEMBE HELYEZÉS

**FIGYELEM:** Amennyiben kieresztés nélkül, hosszú ideig tartja a rozsdamentes acélból készült vízmelegítőben a vizet, az oxigén elhasználódhat a vízből és a tartály anyagát korrodálhatja. Ha nem használja a készüléket felszerelés és üzembe helyezés után, a vizet le kell engedni vagy rendszeresen (hetente egyszer) tiszta hálózati vízzel ki kell mosatni.

Üzembe helyezéskor minden esetben meg kell ismételni az alábbiakban bemutatott feltöltési eljárást és rendszerellenőrzéseket.

- 5.1 **NE** kapcsolja be a levegő-víz hőszivattyút, amíg a víztartályt fel nem töltötte vízzel és nem ellenőrizte, hogy szivárog-e.
- 5.2 Ellenőrizze, hogy az összes felszerelési, elektromos és leengedő csövekre vonatkozó követelménynek eleget tett-e.
- 5.3 Ellenőrizze, hogy az összes víz- és elektromos csatlakozás helyes és szoros legyen.

- 5.4 Nyisson meg egy, a tartálytól jövő melegvíz csapot és engedje meg a hidegvíz ellátást.
- 5.5 Engedje feltelni az egységet és hagyja nyitva a melegvíz csapot egy rövid ideig, hogy a csövezetből kiürüljön a levegő és a csövek kimosódjanak. Zárja el a melegvíz csapot.
- 5.6 Nyisson meg egymás utáni melegvíz csapokat, hogy a levegő távozhasson a rendszerből.
- 5.7 Zárja el az összes melegvíz csapot és bizonyosodjon meg, hogy nincs szivárgás. Szükség esetén javítsa ki a hibát.
- 5.8 Ellenőrizze a túlnyomáscsökkentő szelep működését, kézzel. Bizonyosodjon meg, hogy a víz szabadon folyik a szelepből a leeresztőcsövön át.
- 5.9 Töltse fel az elsődleges körforgási vonalat a Hydro Unit felszerelési kézikönyvének "Vízvezeték" része alapján. A beszorult levegőt engedje ki megnyitva a levegőztetési pontot vagy az automatikus levegőztetést.
- 5.10 Helyezze feszültség alá a levegő-víz hőszivattyút, ügyelve arra, hogy a programozó legyen **FORRÓ VÍZ** üzemmódra állítva. Bizonyosodjon meg, hogy valamennyi gépesített szelep és elsődleges szivattyú működik, majd engedje felmelegedni az egységet. A melegvíz hőmérséklete a Hydro Unit távirányítójával szabályozható. Részletekért tanulmányozza a levegő-víz hőszivattyú felhasználói kézikönyvét.

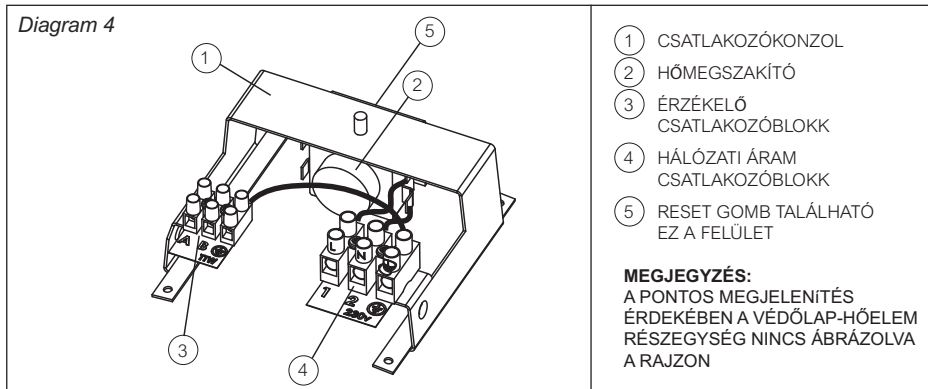
## 6.0 KARBANTARTÁS – KAZÁNKŐ ELTÁVOLÍTÁSA A MERÜLŐFORRALÓRÓL

- 6.1 Kismértékű karbantartásra van szükség, ennek ellenére a hatékony üzemelés érdekében, kemény vízű helyszíneken rendszeres időközönként el kell távolítani a kazánkő lerakódásokat. A kazánkő eltávolításához:
- 6.2 Kapcsolja ki és válassza le az elektromos áramot, majd kapcsolja ki a levegő-víz hőszivattyút. Zárja el a vízellátást az egységtől.
- 6.3 Nyisson meg egy, az egység által táplált melegvíz csapot, hogy eltávozzon a rendszerből a nyomás. Űrítse ki az egységet megnyitva a bemeneti csövezet leeresztőszelepét.
- 6.4 Távolítsa el a védőlapot. Válassza le a hőmegszakítót a tartálymelegítőhöz kötő csatlakozóhuzalokat. Óvatosan távolítsa el a hőérzékelőt, kihúzva azt a tartálymelegítőn található rekeszből.
- 6.5 Óvatosan távolítsa el a megszakítás-érzékelő izzót, kihúzva azt a tartálymelegítőn található rekeszből. Ügyeljen arra, hogy ne hajlítsa el a hajszálcsövet.
- 6.6 Távolítsa el a hőelem hátsó szigetelő burkolatát kihúzva azt a hőelemből.
- 6.7 Csavarja ki a tartálymelegítő ellenanyáját. A csomagban található egy csavarkulcs a tartálymelegítő ellenanyájának könnyű kicsavarásához/megszorításához. Vegye ki a tartályt az egység belsejéből. **MEGJEGYZÉS:** az idő folyamán a tartálymelegítő tömítése rászorulhat az illesztési felületre. Az illesztés felszakításához helyezzen be egy kerekfejű csavarhúzó a tartálymelegítőn található rekeszek egyikébe és óvatosan feszítgesse fel-le.



- 6.8 Óvatosan távolítsa el az összes kazánkő lerakódást a hőelemről. **NE HASZNÁLJON** éles szerszámokat, károsíthatja a hőelem felületét.
- 6.9 Bizonyosodjon meg, hogy az illesztési felületek tiszták és a tömítések nem károsodtak. Ha nem biztos, hogy ez így van, szereljen be új tömítést.
- 6.10 A tartálymelegítőt úgy szerelje vissza, hogy a hőelem végződésai **FÜGGŐLEGESEN** helyezkedjenek el (lásd a 3. ábrát). Rögzítse a tartálymelegítőt, meghúzva az ellenanyát. Megkönnyítheti a műveletet, ha egy, a hőelem valamely rekeszébe behelyezett kerekfejú csavarhúzóval megtartja a tartálymelegítőt az ellenanya meghúzása közben.
- 6.11 Helyezze vissza a hőelem végződésének szigetelő tömítését óvatosan rányomva azt a végződésekre, amíg egyszintbe kerül a hőelem rögzítőlapjának elejével.
- 6.12 A hőmegszakító hajszálcsövet a tartálymelegítő **BAL OLDALI** rekeszébe szerelje vissza. Bizonyosodjon meg, hogy teljesen helyre csúszott és a hajszálcső nincs elhajlítva. Ügyeljen arra, hogy a hajszálcső úgy legyen elvezetve, hogy ne érintkezzen a hőelem végződéseivel.
- 6.13 A hőérzékelőt a tartálymelegítő **BAL OLDALI** rekeszébe, a hőmegszakító mögé szerelje vissza. Bizonyosodjon meg, hogy teljesen helyére csúszott és a tömítőgyűrű be van nyomva a rekesz nyitott végébe.
- 6.14 Csatlakoztassa a tartálymelegítő huzalcsatlakozóit, behelyezve a külső végződéseket a hőelem belső végződéseibe, a 3. ábra szerint. Bizonyosodjon meg, hogy valamennyi huzalcsatlakozás szoros és biztonságos. Helyezze vissza és rögzítse a csatlakozóvégekre a védőlapot.
- 6.15 **NE KAPCSOLJA BE SEM A LEVEGŐ-VÍZ HŐSZIVATTYÚT SEM A TARTÁLYMELEGÍTŐT MIELŐTT NEM TÖLTI FEL AZ EGYSÉGET VÍZZEL.** Helyezze újra üzembe az egységet a felszerelési, illetve az **ÜZEMBEHELYEZÉSU** utasítások szerint.

Diagram 4



HU

## 7.0 KARBANTARTÁS – BIZTONSÁGI SZELEPEK

- 7.1 Rendszeresen ellenőrizni kell a túlnyomáscsökkentő szelep, valamint a más felszerelt biztonsági szelepek megfelelő működését.
- 7.2 Kézzel próbálja ki a szelepe(ke)t és bizonyosodjon meg, hogy a víz szabadon átfolyik a szelepen és a leeresztőcsőn. **MEGJEGYZÉS:** a leeresztett víz nagyon forró lehet. Bizonyosodjon meg, hogy elengedéskor a szelep megfelelően a helyére kattan.

## 8.0 FELHASZNÁLÓI UTSAÍTÁSOK

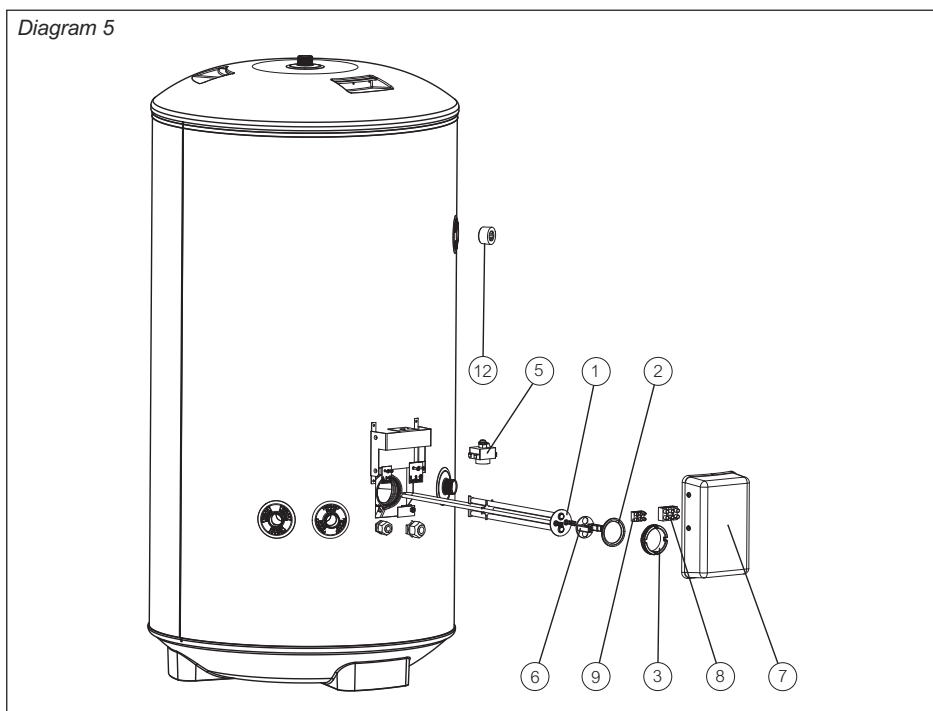
- 8.1 A levegő-víz hőszivattyú víztartályában tárolt víz hőmérsékletét a Hydro Unit vezérlőpultján lehet beállítani. A beállítási tartomány 40°C - 75°C, az ajánlott hőmérséklet-érték 60°C. Amennyiben szükséges, tanulmányozza a Hydro Unit felszerelési kézikönyvét a tárolási hőmérséklet beállítására vonatkozóan.
- 8.2 A téli hónapok alatt, ha hosszabb ideig nem használja a tartályt, az elfagyás elkerülése érdekében ajánlott kikapcsolni a levegő-víz hőszivattyú elsődleges vízellátási vonalát és a tartálymelegítőt, és kiüríteni a víztartályt. **MEGJEGYZÉS:** ez a művelet nem biztosítja a rendszercsővezet más részeinek is a védelmét. Ha így cselekszik, a víztartályt teljes mértékben újra üzembe kell helyezni a levegő-víz hőszivattyú és a tartálymelegítő bekapcsolása előtt, ellenkezőleg a rendszer károsodhat.
- 8.3 Ahhoz, hogy a tartály folyamatosan optimális teljesítményt nyújtson rendszeres időközönként karbantartási műveleteknek kell alávetni, a **KARBANTARTÁS** címmel ellátott részek utasításainak megfelelően.
- 8.4 **FONTOS MEGJEGYZÉSEK A FELHASZNÁLÓ SZÁMÁRA**
  - **Ügyeljen arra, hogy a felszerelt biztonsági szelepek leeresztőcsövei ne legyenek eldugulva.**
  - **Ne módosítsa a felszerelt biztonsági szelepeket.**
  - **Ne hidalja át a hőmegszakítót semmilyen körülmények között.**
  - **Amennyiben hibára gyanakszik, forduljon szakképzett szerelőhöz és ellenőriztesse a rendszert.**

## 9.0 CSEREALKATRÉSZEK

- 9.1 A melegvíz-tartályhoz a következő cserealkatrészek állnak rendelkezésre. Az adott modell azonosításához, valamint annak biztosítására, hogy a megfelelő cserealkatrészeket rendel meg, figyeljen az egységen feltüntetett műszaki adatokat tartalmazó táblára.
- 9.2 **DNE** helyettesítse az alkatrészeket a gyártó által nem ajánlott alkatrészekkel, ellenkezőleg érvényteleníti a garanciát vagy veszélyessé teheti a felszerelést.

9.3	Leírás	Cikkszám
①	Tartálymelegítő .....	95:606:967
②	Tartálymelegítő tömítés.....	95:611:012
③	Tartálymelegítő ellenanya.....	95:607:118
	Tartálymelegítő csavarkulcs .....	95:607:119
⑤	Hőmegszakító (tartálymelegítő) .....	95:612:038
⑥	Hőelem-végződés szigetelő tömítés .....	95:607:115
⑦	Csatlakozóvég-védőlap .....	95:614:109
⑧	Csatlakozóblokk (tartálymelegítő csatlakozása) .....	95:607:113
⑨	Csatlakozóblokk (hőérzékelő csatlakozása) .....	95:607:114
	Hőérzékelő .....	95:612:037
	Nyomóanya- és csatlakozógyűrű-készletek.....	95:607:116
⑫	Másodlagos újrakeringetési csatlakozás dugó.....	95:607:117
	Biztonsági csomag.....	95:605:073

Diagram 5



**HU**

## 10.0 HIBAKERESÉS

Az alábbi táblázat néhány gyakran előforduló hibát sorol fel, a lehetséges okokkal és a megoldásokkal együtt. A víztartály és a levegő-víz hőszivattyú-rendszer szervizelését kizárólag képzett, hozzáértő vízszereelő végezheti.

HIBA	LEHETSÉGES OK	MEGOLDÁS
<b>Nincs melegvíz-áramlás</b>	1. El van zárva a hálózati vízellátás	1. Ellenőrizze és nyissa meg a hálózati vízellátást
	2. A hálózati vízellátás szűrője (ha fel van szerelve) el van dugulva	2. Zárja el a vízellátást. Vegye ki és tisztítsa meg a szűrőt a gyártó utasításainak megfelelően
	3. A bemeneti vízellátás-vezérlő szelepek nincsenek megfelelően felszerelve	3. Szükség esetén ellenőrizze és szerelje vissza
<b>A melegvíz csapokon hideg víz folyik</b>	1. A Hydro Unit vezérlője "csak környezeti melegítés" módra van állítva	1. Ellenőrizze a beállítást
	2. Nem működik a hőszivattyú	2. Ellenőrizze a hőszivattyú működését. Ha hibára gyanakszik, tanulmányozza a hőszivattyú kézikönyvét
	3. Hibás a vízmelegítő hőmérséklet-érzékelője	3. Ellenőrizze az érzékelő működését. Szükség esetén helyettesítse
<b>A melegvíz csapokon langyos víz folyik</b>	1. Aktiválódott a merülőforraló hőmegszakítója	1. Ellenőrizze. Állítsa vissza a megszakítót a nullázógomb megnyomásával.
	2. Hibás a vízmelegítő hőmérséklet-érzékelője	2. Ellenőrizze az érzékelő működését. Szükség esetén helyettesítse
<b>A melegvíz csapokon túl forró víz folyik</b>	1. A Hydro Unit vezérlőjén túl magas értékre van állítva a víz tárolási hőmérséklete	1. Ellenőrizze és állítsa be szükség szerint
	2. Hibás a vízmelegítő hőmérséklet-érzékelője	2. Ellenőrizze az érzékelő működését. Szükség esetén helyettesítse
<b>A túlnyomáscsökkentő szelepen folyamatosan víz folyik ki</b>	1. Túl magas a hálózati vízellátás nyomása	1. A helyes nyomásértéket a "Fontos szerelési pontok" részben találja meg. Szükség esetén szereljen egy nyomáscsökkentő szelepet a bemeneti vízvonalra
	2. A túlnyomáscsökkentő szelep ülése hibás	2. Távolítsa el és helyettesítse

**HU**

## 11.0 GARANCIA

---

A jótállással kapcsolatos információkért vegye fel a kapcsolatot az ESTIA hőszivattyúkat árusító kereskedőjével.

- 11.1 Az egység jelen utasításoknak megfelelően van üzembe helyezve és az összes szükséges bemeneti vezérlő, illetve biztonsági szelep megfelelően van felszerelve.
- 11.2 Az összes szelep és vezérlő kizárólag a gyártó által ajánlott típusú.
- 11.3 Az egységen nem volt végrehajtva illetéktelen módosítás és rendszeres karbantartásnak volt alávetve, jelen utasításoknak megfelelően.
- 11.4 Az egység kizárólag ivóvíz melegítésére van használva (max. 250mg/l klorid-tartalom).
- 11.5 Az egység nem volt kitéve magas klorid-tartalmú víz hatásának vagy nem megfelelő fertőtlenítési módszereknek.
- 11.6 Az üzembehelyezéstől számított hét napon belül az egység be volt indítva. Ha ez nem így van, a rendszert az "Üzembe helyezés - Figyelem" rész utasításai szerint ki kell üríteni vagy rendszeresen ki kell mosatni.
- 11.7 A garancia **NEM** vonatkozik az elfagyás vagy vízkőlerakódások okozta károsodásokra.
- 11.8 Jelen garancia nem befolyásolja a vásárló törvényes jogait.

Ez a jótállás **NEM** vonatkozik az ESTIA levegő-víz hőszivattyú kültéri egységére és az ESTIA Hydro Unit.

## 12.0 KÖRNYEZETVÉDELMI INFORMÁCIÓK

---

- 12.1 Jelen terméket jelentős mértékben újrahasznosítható anyagokból gyártották. Hasznos élettartama lejártával a terméket a helyi hatóságok által biztosított újrahasznosítási központra kell szállítani, hogy teljes mértékben legyenek megvalósíthatók a környezetvédelmi előnyök.
- 12.2 A szigetelésekhez használt anyag CFC/HCFC-t nem tartalmazó poliuretánhab, melynek ózonkárosító tényezője nulla.

**HU**

**A termékfejlesztés üteménél fogva fenntartjuk a termékspecifikációk bejelentés nélküli módosításának jogát. Ennek ellenére, arra törekszünk, hogy a prospektusban található összes információ a kiadás pillanatában pontos legyen.**

## FONTOS INFORMÁCIÓK ÉS FIGYELMEZTETÉSEK

**OLVASSA EL, MIELŐTT TELEPÍTENÉ AZ EGYSÉGET. TARTSA BIZTONSÁGOS HELYEN EZT A DOKUMENTUMOT. AZ ALÁBBI INFORMÁCIÓKRA A TERMÉK KISELEJTEZÉSEKOR VAGY ÚJRAHASZNOSÍTÁSOKOR LESZ SZÜKSÉGE.**

- Mi fontosnak tartjuk a környezet védelmét, és támogatjuk az elektromos és elektronikus berendezések hulladékairól szóló (WEEE) 2002/96/EK irányelvet.
- Ez a termék megfelel az 2002/96/EK EU irányelv előírásainak. Hasznos élettartama végén külön kell kiselejtezni, és nem szabad a háztartási hulladékgyűjtőbe tenni.
- A 2002/96/EK EU irányelv célja, hogy kezelje az elektromos és elektronikus berendezések hulladékainak egyre nagyobb mennyiségét, növelje az elektromos és elektronikus berendezések ("EEE") újrahasznosításának arányát, illetve csökkentse a kiselejtezendő EEE típusú hulladékok ("WEEE") össz mennyiségét.
- A termékre ragasztott, áthúzott, kerek szemégyűjtő tartályt ábrázoló szimbólum azt jelenti, hogy az irányelv vonatkozhat erre a termékre.
- A termék szállítása egy, az önkormányzat vagy a forgalmazó által biztosított megfelelő begyűjtési létesítménybe a felhasználó felelőssége. Egy új termék vásárlása esetén előfordulhat, hogy közvetlenül a forgalmazó veszi át a régi hulladékot (WEEE).
- A WEEE begyűjtése és kezelése a gyártó, importőr vagy a forgalmazó felelőssége – közvetlenül, vagy egy begyűjtési rendszer révén. Az Ön országában működő forgalmazó elérhetőségét az alábbiakban találja meg.
- Az irányelv megszegését az egyes országokban érvényes törvények büntetik.
- Általában véve a CECED értelmezését követjük, amely szerint a WEEE irányelv hordozható termékekre, nedvességmentesítő készülékekre, ablakra szerelhető levegő-víz hőszivattyúkra, max. 12 kW-os osztott rendszerekre, illetve hálózatra csatlakoztatható hűtő- és fagyasztókészülékekre vonatkozik
- Ennek ellenére figyelembe kell venni, hogy az egyes EU tagországok törvényei különbözhetnek. Amennyiben a helyi nemzeti törvények kizárnak bizonyos termékeket a WEEE irányelv hatálya alól, a helyi törvények az irányadók. Olyan országokban, ahol ezek a termékek nem tartoznak a WEEE irányelv hatálya alá, nem kötelező betartani az irányelv rendelkezéseit.
- A WEEE irányelv nem vonatkozik az Európai Közösség területén kívül értékesített termékekre. Ilyen esetben nem kötelező betartani az irányelv rendelkezéseit, azonban biztosítani kell az érvényes helyi törvényeknek való megfelelést.
- További információkért vegye fel a kapcsolatot a helyi önkormányzattal, az üzlettel/kereskedővel/forgalmazóval/kivitelezővel, akitől a terméket vásárolta, vagy a gyártóval.

**HU**



## ΣΥΣΤΗΜΑ ΑΝΤΛΙΑΣ ΘΕΡΜΑΝΣΗΣ ΑΕΡΑ - ΝΕΡΟΥ

### ΟΙΚΙΑΚΟΣ ΚΥΛΙΝΔΡΟΣ ΝΕΡΟΥ ΚΛΕΙΣΤΗΣ ΕΞΟΔΟΥ (ΧΩΡΙΣ ΕΞΑΕΡΩΣΗ) - ΕΜΜΕΣΗ ΜΕΘΟΔΟΣ ΘΕΡΜΑΝΣΗΣ

## ΕΓΧΕΙΡΙΔΙΟ ΕΓΚΑΤΑΣΤΑΣΗΣ ΚΑΙ ΣΥΝΤΗΡΗΣΗΣ

#### ΣΗΜΑΝΤΙΚΟ

ΔΙΑΒΑΣΤΕ ΚΑΙ ΚΑΤΑΝΟΗΣΤΕ ΤΙΣ ΠΑΡΟΥΣΕΣ ΟΔΗΓΙΕΣ ΠΡΙΝ ΑΠΟ ΤΗΝ ΕΓΚΑΤΑΣΤΑΣΗ ΤΟΥ ΚΥΛΙΝΔΡΟΣ ΝΕΡΟΥ. Η ΕΣΦΑΛΜΕΝΗ ΕΓΚΑΤΑΣΤΑΣΗ ΕΝΔΕΧΕΤΑΙ ΝΑ ΚΑΤΑΣΤΗΣΕΙ ΑΚΥΡΗ ΤΗΝ ΕΓΓΥΗΣΗ. Η ΕΓΚΑΤΑΣΤΑΣΗ ΤΟΥ ΚΥΛΙΝΔΡΟΣ ΝΕΡΟΥ ΠΡΕΠΕΙ ΝΑ ΓΙΝΕΤΑΙ ΑΠΟ ΕΙΔΙΚΕΥΜΕΝΟ ΠΡΟΣΩΠΙΚΟ ΣΥΜΦΩΝΑ ΜΕ ΤΟΥΣ ΤΟΠΙΚΟΥΣ ΚΑΝΟΝΙΣΜΟΥΣ ΠΕΡΙ ΥΔΡΑΥΛΙΚΩΝ, ΚΤΙΡΙΑΚΩΝ ΚΑΙ ΗΛΕΚΤΡΙΚΩΝ ΕΓΚΑΤΑΣΤΑΣΕΩΝ. ΚΡΑΤΗΣΤΕ ΤΟ ΠΑΡΟΝ ΕΓΧΕΙΡΙΔΙΟ ΜΑΖΙ ΜΕ ΤΗ ΜΟΝΑΔΑ ΓΙΑ ΜΕΛΛΟΝΤΙΚΗ ΑΝΑΦΟΡΑ

#### ΤΕΧΝΙΚΕΣ ΠΡΟΔΙΑΓΡΑΦΕΣ

Όνομαστική πίεση	1,0 MPa (10 bar)
Πίεση δοκιμής (υδραυλική)	1,5 MPa (15 bar)
Ελάχιστη συνιστώμενη πίεση τροφοδοσίας	0,1 MPa (1 bar)
Μεγ. πίεση εργασίας πρωτεύοντος κυκλώματος	0,35 MPa (3,5 bar)
Όνομαστική ισχύς ηλεκτρικού ρεύματος (Θερμαντήρας κυλίνδρου)	2,75kW @ 230V~
Βάρος (συνολ.) 150 λίτρα εμμέσως	181 kg
210 λίτρα εμμέσως	251 kg
300 λίτρα εμμέσως	360 kg

**GR**

#### ΠΑΡΕΧΟΜΕΝΑ ΕΞΑΡΤΗΜΑΤΑ

- Κύλινδρος νερού με ενσωματωμένο ηλεκτρικό θερμαντήρα κυλίνδρου και ελεγκτές θερμότητας.
- Διάταξη ασφαλείας με Βαλβίδα εκτόνωσης πίεσης, Βαλβίδα ελέγχου (μη επιστροφής) και Βαλβίδα απομόνωσης.
- Παξιμάδια συμπίεσης και ρακόρ.
- Κλειδί σύσφιξης θερμαντήρα κυλίνδρου.

## 1.0 ΣΗΜΑΝΤΙΚΕΣ ΣΗΜΕΙΩΣΕΙΣ ΓΙΑ ΤΗΝ ΕΓΚΑΤΑΣΤΑΣΗ

- 1.1 Η μονάδα αυτή, για χρήση με το σύστημα αντλίας θέρμανσης αέρα-νερού ESTIA, είναι ένας κύλινδρος νερού χωρίς εξαερισμό σχεδιασμένη για το σκοπό αυτόν.
- 1.2 Στον κύλινδρο νερού **ΠΡΕΠΕΙ** να έχει τοποθετηθεί βαλβίδα εκτόνωσης πίεσης που να συμμορφώνεται με τους κανονισμούς υδραυλικών εγκαταστάσεων και τους κανονισμούς δόμησης της περιοχής σας. **Η ΜΗ ΠΑΡΟΧΗ ΚΑΤΑΛΛΗΛΟΥ ΜΕΣΟΥ ΕΚΤΟΝΩΣΗΣ ΤΗΣ ΠΙΕΣΗΣ ΚΑΘΙΣΤΑ ΑΚΥΡΕΣ ΤΥΧΟΝ ΕΓΓΥΗΣΕΙΣ ΚΑΙ ΟΔΗΓΕΙ ΣΕ ΕΠΙΚΙΝΔΥΝΗ ΕΓΚΑΤΑΣΤΑΣΗ.**
- 1.2 Όταν η πίεση εισόδου υπερβαίνει τα 0,6 MPa (6 bar), πρέπει να χρησιμοποιείται Βαλβίδα μείωσης της πίεσης (ρυθμισμένη στα 0,5 MPa (5 bar) κατά μέγιστο) επί της παροχής εισόδου του θερμαντήρα. Η βαλβίδα αυτή **ΔΕΝ ΠΡΕΠΕΙ** να τοποθετείται ανάμεσα στη Βαλβίδα εκτόνωσης της πίεσης και του κύλινδρος νερού.
- 1.4 Επί της παροχής εισόδου του θερμαντήρα νερού πρέπει να τοποθετείται βαλβίδα ελέγχου (αντεπιστροφής). Η βαλβίδα αυτή **ΔΕΝ ΠΡΕΠΕΙ** να τοποθετείται ανάμεσα στη Βαλβίδα εκτόνωσης της πίεσης και του κύλινδρος νερού.
- 1.5 Η συσκευή αυτή δεν προορίζεται για χρήση από άτομα (συμπεριλαμβανομένων παιδιών) με μειωμένες φυσικές, αισθητήριες ή διανοητικές ικανότητες ή με έλλειψη εμπειρίας ή γνώσης, εκτός κι επιβλέπονται ή τους παρέχονται οδηγίες σχετικά με τη χρήση της συσκευής από άτομο που είναι υπεύθυνο για την ασφάλειά τους. Τα παιδιά θα πρέπει να επιβλέπονται ώστε να μην παίζουν με τη συσκευή.

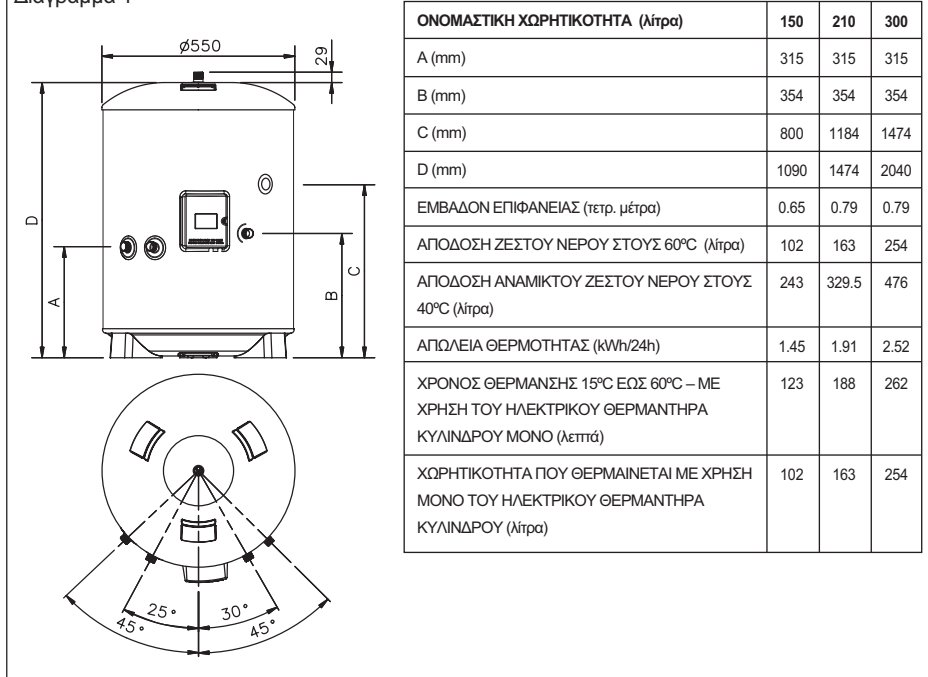
## 2.0 ΕΓΚΑΤΑΣΤΑΣΗ – ΓΕΝΙΚΕΣ ΑΠΑΙΤΗΣΕΙΣ

- 2.1 Οι εθνικοί κανονισμοί καλωδίωσης ενδέχεται να περιέχουν περιορισμούς όσον αφορά την εγκατάσταση των μονάδων αυτών σε ορισμένα σημεία, π.χ. Μπάνια
- 2.2 Η μονάδα **ΠΡΕΠΕΙ** να εγκαθίσταται κατακόρυφα.
- 2.3 Η μονάδα πρέπει να τοποθετείται πάνω σε επίπεδη επιφάνεια.
- 2.4 Γύρω από τη μονάδα πρέπει να υπάρχει αρκετός χώρος για τη σύνδεση σωλήνων και για την πρόσβαση σε διακόπτες ή τυχόν εγκατεστημένες βαλβίδες ασφαλείας. Για να καθορίσετε τη σωστή θέση τοποθέτησης του θερμαντήρα, ανατρέξτε στο Διάγραμμα 1 και στον Πίνακα διαστάσεων.
- 2.5 **ΣΗΜΕΙΩΣΗ:** Βεβαιωθείτε ότι το δάπεδο μπορεί να υποστηρίξει το συνολικό βάρος της μονάδας (βλ. **ΤΕΧΝΙΚΕΣ ΠΡΟΔΙΑΓΡΑΦΕΣ**).
- 2.6 **ΜΗΝ** εγκαθιστάτε τη μονάδα σε σημεία όπου ενδέχεται να σχηματιστεί πάγος.
- 2.7 Η κύρια παροχή νερού της ιδιοκτησίας θα παράσχει το απαιτούμενο ζεστό και κρύο νερό ταυτόχρονα. Για να την ικανοποιητική διασφάλιση της απαίτησης αυτής συνιστάται η αξιολόγηση της μέγιστης ζήτησης νερού και ο έλεγχος της παροχής νερού. **ΣΗΜΕΙΩΣΗ:** η υψηλή πίεση της κύριας παροχής νερού δεν εγγυάται πάντα υψηλούς ρυθμούς ροής. Συνιστούμε οι ελάχιστες απαιτήσεις παροχής να είναι 0,1MPa (1,0 bar) πίεσης και 20 λίτρα ανά λεπτό ρυθμός ροής. Ωστόσο, με αυτές τις τιμές οι ρυθμοί ροής εξόδου μπορεί να μην είναι ικανοποιητικοί εάν χρησιμοποιούνται ταυτόχρονα πολλές εξοδοί. Όσο υψηλότερη είναι η διαθέσιμη πίεση και ο ρυθμός ροής τόσο καλύτερη θα είναι η απόδοση του συστήματος.
- 2.8 **ΠΕΡΙΟΡΙΣΜΟΙ:**  
Ο κύλινδρος νερού δεν θα πρέπει να χρησιμοποιείται σε σχέση με κάποια από τις παρακάτω συνθήκες:
  - Σε περιπτώσεις όπου η συντήρηση ενδέχεται να παραμεληθεί ή να υπάρξει παραβίαση των συσκευών ασφαλείας.



- Σε παροχές νερού που δεν έχουν επαρκή και κατάλληλη πίεση ή όπου υπάρχουν διακοπές στην παροχή.
- Σε περιπτώσεις όπου δεν υπάρχει η δυνατότητα ασφαλούς απομάκρυνσης με αγωγό τυχόν εκκενώσεων των βαλβίδων ασφαλείας.
- Σε περιοχές όπου η παροχή νερού περιέχει τακτικά υψηλό ποσοστό στέρεων προσμίξεων ή αιωρούμενων σωματιδίων, εκτός και αν μπορεί να υπάρξει επαρκές φιλτράρισμα στην είσοδο της παροχής νερού.

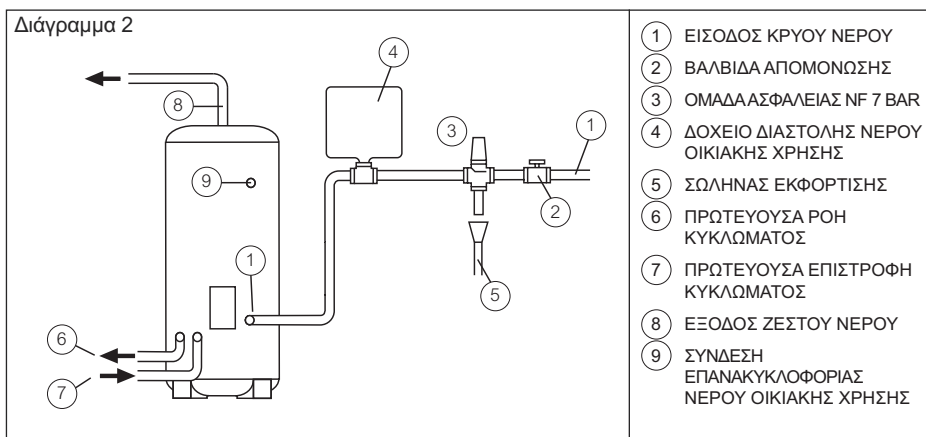
Διάγραμμα 1



### 3.0 ΕΓΚΑΤΑΣΤΑΣΗ – ΥΔΡΑΥΛΙΚΑ ΜΕΡΗ

- 3.1 Ανατρέξτε στην ενότητα **ΣΗΜΑΝΤΙΚΕΣ ΣΗΜΕΙΩΣΕΙΣ ΓΙΑ ΤΗΝ ΕΓΚΑΤΑΣΤΑΣΗ**. Εγκαταστήστε τις βαλβίδες με τη σειρά που υποδεικνύεται στο Διάγραμμα 2. Βεβαιωθείτε ότι οι βαλβίδες εγκαθιστούνται με σωστό προσανατολισμό, σύμφωνα με τη διεύθυνση που υποδεικνύουν τα βέλη ροής. Στον κύλινδρο νερού **ΠΡΕΠΕΙ** να έχει τοποθετηθεί βαλβίδα εκτόνωσης πίεσης που να συμμορφώνεται με τους κανονισμούς υδραυλικών εγκαταστάσεων και τους κανονισμούς δόμησης της περιοχής σας (παρέχεται Διάταξη ασφαλείας). **Η ΜΗ ΠΑΡΟΧΗ ΚΑΤΑΛΛΗΛΟΥ ΜΕΣΟΥ ΕΚΤΟΝΩΣΗΣ ΤΗΣ ΠΙΕΣΗΣ ΚΑΘΙΣΤΑ ΑΚΥΡΕΣ ΤΥΧΟΝ ΕΓΓΥΗΣΕΙΣ ΚΑΙ ΟΔΗΓΕΙ ΣΕ ΕΠΙΚΙΝΔΥΝΗ ΕΓΚΑΤΑΣΤΑΣΗ**. Οποιοσδήποτε σωλήνας εκκένωσης που συνδέεται με τη διάταξη της βαλβίδας εκτόνωσης πρέπει να είναι εγκατεστημένος με κατεύθυνση συνεχόμενα προς τα κάτω σε περιβάλλον χωρίς ενδεχόμενο ψύξης.
- 3.2 Οι συνδέσεις της μονάδας με την παροχή νερού μπορούν να δεχθούν σωλήνα εξωτερικής διαμέτρου 22χιλ. σε απευθείας σύνδεση. Για το σκοπό αυτό, παρέχονται παξιμάδια και ροδέλες. Το σπείρωμα των συνδέσεων είναι τύπου G3/4, ώστε, αν χρειαστεί, να καθίσταται δυνατή η χρήση θηλυκών συνδέσεων G3/4. **ΜΗ** χρησιμοποιείτε σωλήνες νερού με επίστρωση από ψευδάργυρο. Όταν χρησιμοποιούνται χαλύβδινοι σωλήνες, ο σωλήνας θα πρέπει να μονώνεται σε σχέση με το δοχείο από ανοξείδωτο χάλυβα με χρήση διηλεκτρικών συζεύξεων.

- 3.3 Το στόμιο **ΕΙΣΟΔΟΥ** του νερού είναι σημειωμένο με **ΜΠΛΕ** χρώμα, ενώ το στόμιο **ΕΞΟΔΟΥ** είναι σημειωμένο με **ΚΟΚΚΙΝΟ**. Υπάρχει δυνατότητα παροχής σε πολλαπλά στόμια εξόδου ζεστού νερού, ωστόσο πρέπει να λαμβάνονται υπόψη οι ιδιαίτερες απαιτήσεις κάθε κτιρίου κατά την επιλογή της χωρητικότητας και του αριθμού των στομιών εξόδου.
- 3.4 Συνιστάται η τοποθέτηση βαλβίδας απομόνωσης στην παροχή κρύου νερού προς το θερμαντήρα.
- 3.5 Στις σωληνώσεις εισόδου κάτω από το θερμαντήρα πρέπει να τοποθετείται εκκενωτικός κρουνός. Ο κρουνός πρέπει να εγκαθίσταται ανάμεσα στο θερμαντήρα νερού και τη βαλβίδα ελέγχου.
- 3.6 Στην παροχή κρύου νερού μπορεί να τοποθετηθεί δοχείο διαστολής κυκλώματος αποχέτευσης, όπως υποδεικνύεται στο Διάγραμμα 2, προς αποφυγή τυχόν διαρροής λόγω διαστολής νερού. Συνιστάται η χρήση των παρακάτω μεγεθών:  
150 λίτρα 12λιτρο δοχείο  
210 λίτρα 18λιτρο δοχείο  
300 λίτρα 24λιτρο δοχείο
- 3.7 Στο κύκλωμα αποχέτευσης νερού μπορεί να εγκατασταθεί κύκλωμα επανακυκλοφορίας. Παρέχεται σύνδεση για το σωλήνα επιστροφής του κυκλώματος επανακυκλοφορίας (με σπείρωμα τύπου G3/4, θηλυκό).
- 3.8 Το πρωτεύον κύκλωμα θέρμανσης **ΠΡΕΠΕΙ** να συνδέεται μέσω του Hydro Unit. Για περισσότερες πληροφορίες, ανατρέξτε στις οδηγίες εγκατάστασης που παρέχονται μαζί με το Hydro Unit.

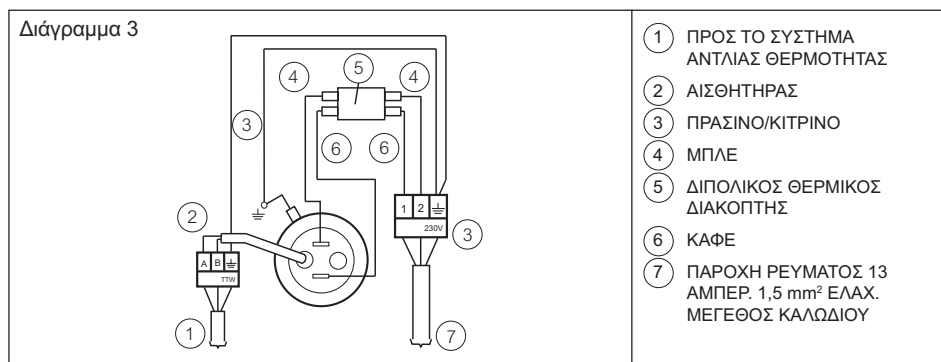


## 4.0 ΗΛΕΚΤΡΙΚΕΣ ΑΠΑΙΤΗΣΕΙΣ

GR

- 4.1 Η μονάδα παρέχεται με εργοστασιακά συνδεδεμένο Θερμαντήρας κυλίνδρου τύπου με πλήρη θερμικό έλεγχο και διακόπτη υπερθέρμανσης. Ο Θερμαντήρας κυλίνδρου έχει ονομαστική ισχύ 2,75kW στα 230V ~.
- 4.2 Ο Θερμαντήρας κυλίνδρου βρίσκεται πίσω από το άσπρο κάλυμμα των τερματικών στο μπροστινό μέρος της μονάδας. Το κάλυμμα ασφαρίζεται με 2 βίδες σε κάθε πλευρά του καλύμματος και με ένα θολωτό παξιμάδι με σπείρωμα στο μπροστινό μέρος του καλύμματος. **ΜΟΝΩΣΤΕ ΤΗΝ ΗΛΕΚΤΡΙΚΗ ΠΑΡΟΧΗ ΠΡΙΝ ΑΦΑΙΡΕΣΕΤΕ ΤΟ ΚΑΛΥΜΜΑ.**
- 4.3 Ο Θερμαντήρας κυλίνδρου ΠΡΕΠΕΙ να γειώνεται.

- 4.4 Ο χειρισμός και η σύνδεση όλων των ηλεκτρικών καλωδίων πρέπει να γίνεται σύμφωνα με τους πιο πρόσφατους εθνικούς κανονισμούς καλωδίωσης. Το κύκλωμα πρέπει να προστατεύεται από κατάλληλη ασφάλεια και διπολικό διακόπτη απομόνωσης με ελάχιστη απόσταση επαφής 3χιλ. και στους δύο πόλους
- 4.5 Η καλωδίωση του Θερμαντήρα κυλίνδρου πρέπει να γίνεται σύμφωνα με το Διάγραμμα 3 και το Εγχειρίδιο εγκατάστασης της αντλίας θέρμανσης. Το καλώδιο τροφοδοσίας πρέπει να συνδέεται μέσω του περιβλήματος των διακοπών της αντλίας θέρμανσης. Η απευθείας σύνδεση στο ρεύμα δικτύου καθιστά άκυρη την εγγύηση και ενδέχεται να οδηγήσει σε επικίνδυνη εγκατάσταση. Το καλώδιο τροφοδοσίας πρέπει να δρομολογείται μέσω του παρεχόμενου δεξιού κολάρου καλωδίου και το εξωτερικό περίβλημα του καλωδίου πρέπει να στερεώνεται με σύσφιξη της βίδας του κολάρου καλωδίου. Ο συνιστώμενος τύπος καλωδίου είναι 2,5χιλ<sup>2</sup> καλυμμένο 3-κλωνο ανθεκτικό στη θέρμανση.
- 4.6 Ο θερμικός αισθητήρας πρέπει να συνδέεται στο περίβλημα των διακοπών της αντλίας θέρμανσης σύμφωνα με το Διάγραμμα 3 και το Εγχειρίδιο εγκατάστασης της αντλίας θέρμανσης. Το καλώδιο που συνδέεται με το θερμικό αισθητήρα πρέπει να δρομολογείται μέσω του παρεχόμενου αριστερού κολάρου καλωδίου και το εξωτερικό περίβλημα του καλωδίου πρέπει να στερεώνεται με σύσφιξη της βίδας του κολάρου καλωδίου. Το καλώδιο του αισθητήρα πρέπει να είναι 0,75χιλ<sup>2</sup> 2-κλωνο + προστασία (γείωση) με μέγιστη ονομαστική τιμή ρεύματος 100mA. Το καλώδιο δεν πρέπει να είναι μακρύτερο από 5μέτρα.
- 4.7 Τοποθετήστε ξανά στη θέση του το κάλυμμα ακροδεκτών πριν την έναρξη της λειτουργίας.
- 4.8 ΜΗ θερμαίνετε τη μονάδα πριν ο θερμαντήρας νερού γεμίσει εντελώς με νερό.
- 4.9 Ο θερμικός έλεγχος του θερμαντήρα νερού γίνεται μέσω των ελέγχων της μονάδας Hydro Unit. Για οδηγίες σχετικά με τη ρύθμιση της θερμοκρασίας συσσώρευσης ζεστού νερού, ανατρέξτε στο Εγχειρίδιο εγκατάστασης της αντλίας θέρμανσης αέρα-νερού.
- 4.10 Η ηλεκτρική παροχή από την Αντλία θέρμανσης προς το Θερμαντήρα κυλίνδρου διαθέτει ενσωματωμένο διακόπτη υπερθέρμανσης που απενεργοποιεί το Θερμαντήρα κυλίνδρου διακόπτη σε περίπτωση βλάβης του θερμικού ελέγχου. ΜΗΝ παρακάμψετε το θερμικό διακόπτη σε καμία περίπτωση.



## 5.0 ΠΡΟΕΤΟΙΜΑΣΙΑ ΓΙΑ ΛΕΙΤΟΥΡΓΙΑ

**ΠΡΟΕΙΔΟΠΟΙΗΣΗ:** Το νερό που παραμένει μέσα στο Κύλινδρος νερού από ανοξειδωτο ασάλι για μεγάλο χρονικό διάστημα χωρίς να εκκενωθεί χάνει το οξυγόνο του και ενδέχεται να διαβρώσει το υλικό του δοχείου. Εάν η εγκατάσταση δεν πρόκειται να χρησιμοποιηθεί μετά από την τοποθέτηση και προετοιμασία για λειτουργία, ο Κύλινδρος νερού πρέπει να αποστραγγίζεται ή να ξεπλένεται τακτικά (μια φορά την εβδομάδα) με φρέσκο νερό της βρύσης.

Κατά την τοποθέτηση της μονάδας για λειτουργία, η διαδικασία για το γέμισμα της μονάδας και οι έλεγχοι του συστήματος που περιγράφονται παρακάτω θα πρέπει να επαναληφθούν.

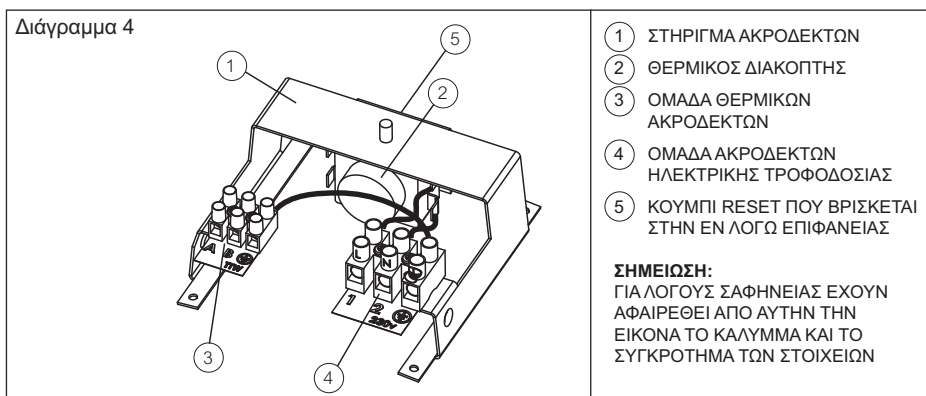
- 5.1 **MHN** ενεργοποιείτε την Αντλία θέρμανσης πριν η μονάδα γεμίσει με νερό και ελεγχθεί για διαρροές.
- 5.2 Βεβαιωθείτε ότι πληρούνται όλες οι απαιτήσεις όσον αφορά την εγκατάσταση, τους ηλεκτρικούς αγωγούς και τους σωλήνες εκκένωσης.
- 5.3 Βεβαιωθείτε ότι όλες οι συνδέσεις νερού και οι ηλεκτρικές συνδέσεις έχουν γίνει σωστά και είναι καλά σφιγμένες.
- 5.4 Ανοίξτε μια στρόφιγγα ζεστού νερού που τροφοδοτείται από τη μονάδα και ενεργοποιήστε την παροχή κρύου νερού στη μονάδα.
- 5.5 Περιμένετε έως ότου η μονάδα γεμίσει και αφήστε τη στρόφιγγα ζεστού νερού να τρέχει για λίγο, ώστε να εκκενωθεί τυχόν αέρας και να ξεπλυθούν οι σωληνώσεις. Κλείστε τη στρόφιγγα ζεστού νερού.
- 5.6 Ανοίξτε τις διαδοχικές στρόφιγγες ζεστού νερού για την εκκένωση τυχόν αέρα από το σύστημα.
- 5.7 Έχοντας κλείσει όλες τις κάνουλες ζεστού νερού, ελέγξτε το σύστημα για τυχόν διαρροές και κάντε τις κατάλληλες διορθώσεις.
- 5.8 Ελέγξτε διά χειρός τη λειτουργία της βαλβίδας εκτόνωσης της πίεσης. Βεβαιωθείτε ότι το νερό ρέει ελεύθερα από την αντλία και διαμέσου του σωλήνα εκκένωσης.
- 5.9 Πληρώστε το κύριο κύκλωμα ακολουθώντας τις οδηγίες της ενότητας “Σωλήνας νερού” του Εγχειριδίου εγκατάστασης της μονάδας Hydro Unit. Εξαερώστε τυχόν παγιδευμένο αέρα ανοίγοντας την ακίδα εξαερισμού ή τη θυρίδα αυτόματου εξαερισμού.
- 5.10 Η θερμοκρασία του ζεστού νερού μπορεί να αλλάζει με το τηλεχειριστήριο της μονάδας Hydro Unit, για λεπτομέρειες ανατρέξτε στο Εγχειρίδιο χρήστη της αντλίας θέρμανσης αέρα-νερού.

## 6.0 ΣΥΝΤΗΡΗΣΗ – ΚΑΘΑΡΙΣΜΟΣ ΒΥΘΙΖΟΜΕΝΟΥ ΘΕΡΜΑΝΤΗΡΑ

GR

- 6.1 Η μονάδα δεν απαιτεί συχνή συντήρηση, ωστόσο σε περιοχές με σκληρό νερό απαιτείται περιοδικός καθαρισμός των συσσωρευμένων αλάτων για τη διασφάλιση της αποτελεσματικής λειτουργίας της μονάδας. Για τον καθαρισμό της μονάδας:
- 6.2 Απενεργοποιήστε και αποσυνδέστε την ηλεκτρική παροχή και κλείστε το λέβητα (δευτερεύουσες μονάδες). Κλείστε την παροχή νερού προς τη μονάδα.
- 6.3 Ανοίξτε μια στρόφιγγα ζεστού νερού που τροφοδοτείται από τη μονάδα για την εκτόνωση τυχόν πίεσης του συστήματος. Αδειάστε τη μονάδα ανοίγοντας τη βαλβίδα εκκένωσης στις σωληνώσεις εισόδου.

- 6.4 Ανοίξτε το κάλυμμα του ακροδέκτη. Αποσυνδέστε τα σύρματα που συνδέουν το θερμικό διακόπτη με το Θερμαντήρα κυλίνδρου. Αφαιρέστε προσεκτικά το θερμικό αισθητήρα από τη σχετική υποδοχή του Θερμαντήρα κυλίνδρου τραβώντας τον προς τα έξω.
- 6.5 Αφαιρέστε προσεκτικά το θερμοστατικό βολβό του θερμικού διακόπτη από τη σχετική υποδοχή του Θερμαντήρα κυλίνδρου τραβώντας τον προς τα έξω. Προσέχετε να μη συστραφεί ο τριχοειδής σωλήνας.
- 6.6 Αφαιρέστε το περίβλημα μόνωσης των άκρων της αντίστασης.
- 6.7 Ξεβιδώστε το κόντρα παξιμάδι του Θερμαντήρα κυλίνδρου. Μαζί με τη μονάδα παρέχεται κλειδί για την εύκολη αφαίρεση/σύσφιξη του κόντρα παξιμαδιού του Θερμαντήρα κυλίνδρου. Αφαιρέστε το Θερμαντήρα κυλίνδρου από τη μονάδα. **ΣΗΜΕΙΩΣΗ:** Με την πάροδο του χρόνου το παρέμβυσμα του Θερμαντήρα κυλίνδρου ενδέχεται να κολλήσει στην επιφάνεια συναρμογής. Για να ανοίξετε το παρέμβυσμα, εισαγάγετε ένα κατσαβίδι στρογγυλού άκρου σε μία από τις υποδοχές του Θερμαντήρα κυλίνδρου και κινήστε το απαλά πάνω-κάτω.
- 6.8 Αφαιρέστε με προσοχή τυχόν άλατα από την επιφάνεια της αντίστασης. **ΜΗ** χρησιμοποιείτε αιχμηρά εργαλεία που μπορεί να φθείρουν την επιφάνεια της αντίστασης.
- 6.9 Βεβαιωθείτε ότι οι στεγανές επιφάνειες είναι καθαρές και ότι τα παρεμβύσματα δεν έχουν φθαρεί. Αν δεν είστε βέβαιοι, τοποθετήστε νέο παρέμβυσμα.
- 6.10 Αντικαταστήστε το θερμαντήρα κυλίνδρου φροντίζοντας τα άκρα της αντίστασης να βρίσκονται σε **ΚΑΘΕΤΗ** θέση (βλ. Διάγραμμα 3). Ασφαλίστε το Θερμαντήρα κυλίνδρου στη θέση του, εφαρμόζοντας ξανά το κόντρα παξιμάδι και σφίγγοντας καλά. Ενώ σφίγγετε το κόντρα παξιμάδι, ίσως είναι χρήσιμο να υποστηρίξετε το Θερμαντήρα κυλίνδρου, εισάγοντας ένα κατσαβίδι με στρογγυλεμένο άκρο σε μία από τις υποδοχές της αντίστασης.
- 6.11 Τοποθετήστε ξανά στη θέση του το περίβλημα μόνωσης των άκρων της αντίστασης, προωθώντας το προσεκτικά πάνω από τα άκρα της αντίστασης έως ότου βρεθεί στο ίδιο επίπεδο με την πρόσοψη της πλάκας στήριξης της αντίστασης.
- 6.12 Αντικαταστήστε τον τριχοειδή σωλήνα του θερμικού διακόπτη στην **ΑΡΙΣΤΕΡΗ** υποδοχή του θερμαντήρα κυλίνδρου. Βεβαιωθείτε ότι έχει εισαχθεί πλήρως και ότι ο τριχοειδής σωλήνας δεν έχει συστραφεί. Βεβαιωθείτε ότι ο τριχοειδής σωλήνας έχει τέτοια κατεύθυνση ώστε να μην έρχεται σε επαφή με τα άκρα της αντίστασης.
- 6.13 Αντικαταστήστε το θερμικό αισθητήρα στην **ΑΡΙΣΤΕΡΗ** υποδοχή του θερμαντήρα κυλίνδρου πίσω από το θερμικό διακόπτη. Βεβαιωθείτε ότι έχει εισαχθεί πλήρως και ότι ο δακτύλιος ασφάλισης έχει προωθηθεί μέσα στο ανοιχτό άκρο της υποδοχής.
- 6.14 Συνδέστε ξανά τους συνδέσμους καλωδίωσης του Θερμαντήρα κυλίνδρου, εισάγοντας τους αρσενικούς ακροδέκτες στους θηλυκούς ακροδέκτες στα άκρα της αντίστασης σύμφωνα με το Διάγραμμα 3. Βεβαιωθείτε ότι όλες οι απολήξεις της καλωδίωσης είναι καλά σφιγμένες και στερεωμένες. Τοποθετήστε ξανά στη θέση του το κάλυμμα ακροδεκτών και ασφαλίστε το.
- 6.15 **ΜΗΝ ΕΝΕΡΓΟΠΟΙΕΙΤΕ ΟΥΤΕ ΤΗΝ ΑΝΤΛΙΑ ΘΕΡΜΑΝΣΗΣ ΟΥΤΕ ΤΟ ΘΕΡΜΑΝΤΗΡΑΣ ΚΥΛΙΝΔΡΟΥ ΠΡΙΝ Η ΜΟΝΑΔΑ ΓΕΜΙΣΕΙ ΞΑΝΑ ΜΕ ΝΕΡΟ.** Προετοιμάστε ξανά τη μονάδα για λειτουργία, ακολουθώντας τις οδηγίες εγκατάστασης και **ΠΡΟΕΤΟΙΜΑΣΙΑΣ ΓΙΑ ΛΕΙΤΟΥΡΓΙΑ.**



## 7.0 ΣΥΝΤΗΡΗΣΗ – ΒΑΛΒΙΔΕΣ ΑΣΦΑΛΕΙΑΣ

- 7.1 Η βαλβίδα εκτόνωσης της πίεσης και κάθε άλλη εγκατεστημένη βαλβίδα ασφαλείας πρέπει να ελέγχεται τακτικά ώστε να επιβεβαιώνεται η σωστή λειτουργία.
- 7.2 Θέστε δια χειρός τις αντλίες σε λειτουργία και βεβαιωθείτε ότι το νερό ρέει ελεύθερα από την αντλία και διαμέσου του σωλήνα εκκένωσης. **ΣΗΜΕΙΩΣΗ:** το νερό που εκκενώνεται ενδέχεται να είναι πολύ ζεστό. Βεβαιωθείτε ότι η αντλία εδράζεται σωστά μετά από την αποδέσμευσή της.

## 8.0 ΟΔΗΓΙΕΣ ΧΡΗΣΗΣ

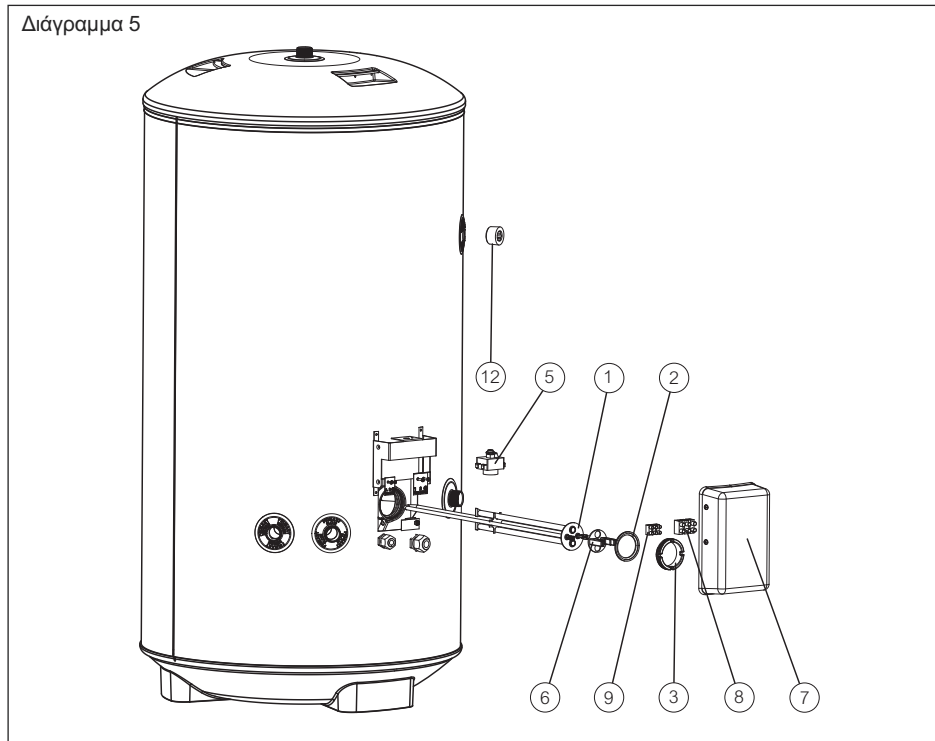
- 8.1 Η θερμοκρασία συσσώρευσης νερού στον Κύλινδρο νερού με σύστημα αντλίας θέρμανσης αέρα-νερού καθορίζεται από τον πίνακα ελέγχου της μονάδας Hydro Unit. Από εκεί μπορεί να γίνει ρύθμιση για θερμοκρασίες που κυμαίνονται από 40°C έως 75°C, συνιστώνται οι 60oC. Εάν χρειάζεται ανατρέξτε στο εγχειρίδιο εγκατάστασης της μονάδας Hydro Unit για οδηγίες σχετικά με την προσαρμογή της θερμοκρασίας συσσώρευσης.
- 8.2 Για να αποφύγετε τον κίνδυνο παγώματος, όταν δεν χρησιμοποιείται ο θερμαντήρας για μεγάλες περιόδους τους χειμερινούς μήνες, συνιστάται να κλείνουν η κύρια παροχή της Αντλίας θέρμανσης και ο Βυθιζόμενος θερμαντήρας, καθώς και να αποστραγγίζεται το νερό του θερμαντήρα. **ΣΗΜΕΙΩΣΗ:** η ενέργεια αυτή δεν προστατεύει άλλα μέρη των σωληνώσεων του συστήματος. Εάν γίνει αυτό, ο θερμαντήρας νερού πρέπει να επανατεθεί πλήρως σε λειτουργία πριν από το άνοιγμα της Αντλίας θέρμανσης και του Βυθιζόμενου θερμαντήρα ειδάλλως μπορεί να προκληθούν βλάβες.
- 8.3 Για τη διασφάλιση της βέλτιστης λειτουργίας του θερμαντήρα επί μακρόν, απαιτείται περιοδική συντήρηση σύμφωνα με τις οδηγίες που παρατίθενται στις ενότητες με την επικεφαλίδα **ΣΥΝΤΗΡΗΣΗ**.
- 8.4 **ΣΗΜΑΝΤΙΚΕΣ ΣΗΜΕΙΩΣΕΙΣ ΠΡΟΣ ΤΟ ΧΡΗΣΤΗ**
- Μη μπλοκάρτε και μην περιορίζετε την εκκένωση καμίας από τις εγκατεστημένες βαλβίδες ασφαλείας.
  - Μη σκαλίζετε καμία από τις εγκατεστημένες βαλβίδες.
  - Μην παρακάμπτετε το θερμικό διακόπτη σε καμία περίπτωση.
  - Αν υπάρχει υποψία βλάβης, επικοινωνήστε με ειδικευμένο μηχανικό για έλεγχο του συστήματος.

## 9.0 ΑΝΤΑΛΛΑΚΤΙΚΑ

- 9.1 Για το Σύστημα Κύλινδρος νερού με αντλία διατίθεται ο παρακάτω κατάλογος ανταλλακτικών. Για να επιβεβαιώσετε το εγκατεστημένο μοντέλο και να είστε βέβαιοι ότι θα παραγγείλετε τα σωστά ανταλλακτικά, ανατρέξτε στην ετικέτα τεχνικών χαρακτηριστικών της μονάδας.
- 9.2 **ΜΗ** χρησιμοποιείτε ανταλλακτικά που δεν συνιστούνται από τον κατασκευαστή, καθώς η εγγύηση θα καταστεί άκυρη και η εγκατάσταση ενδέχεται να είναι επικίνδυνη.

9.3 Περιγραφή	Κωδ. είδους
① Θερμαντήρας κυλίνδρου .....	95:606:967
② Παρέμβυσμα Θερμαντήρας κυλίνδρου .....	95:611:012
③ Κόντρα παξιμάδι Θερμαντήρας κυλίνδρου .....	95:607:118
Κλειδί Θερμαντήρας κυλίνδρου .....	95:607:119
⑤ Θερμικός διακόπτης (Θερμαντήρας κυλίνδρου) .....	95:612:038
⑥ Περίβλημα μόνωσης άκρων αντίστασης .....	95:607:115
⑦ Κάλυμμα ακροδέκτη .....	95:614:109
⑧ Πλάκα ακροδεκτών (σύνδεση στο Θερμαντήρας κυλίνδρου) .....	95:607:113
⑨ Πλάκα ακροδεκτών (σύνδεση στο θερμικό αισθητήρα).....	95:607:114
Θερμικός αισθητήρας .....	95:612:037
Σετ παξιμαδιών και βιδών συμπίεσης .....	95:607:116
⑫ Βύσμα σύνδεσης συμπληρωματικού κυκλώματος επανακυκλοφορίας.....	95:607:117
Διάταξη ασφαλείας.....	95:605:073

Διάγραμμα 5



## 10.0 ΕΝΤΟΠΙΣΜΟΣ ΒΛΑΒΩΝ

Στον παρακάτω πίνακα παρατίθενται μερικές συνήθεις βλάβες, οι πιθανές τους αιτίες και η αποκατάστασή τους. Όλες οι εργασίες επισκευής του θερμοαντλήρα νερού και του συστήματος αντλίας θέρμανσης πρέπει να εκτελείται από αρμόδιο ειδικευμένο προσωπικό.

ΒΛΑΒΗ	ΠΙΘΑΝΗ ΑΙΤΙΑ	ΑΠΟΚΑΤΑΣΤΑΣΗ
Απουσία ροής ζεστού νερού	1. Η κεντρική παροχή νερού είναι κλειστή	1. Ελέγξτε την κεντρική παροχή νερού και ανοίξτε την
	2. Το φίλτρο της κεντρικής παροχής νερού (αν υπάρχει) είναι μπλοκαρισμένο	2. Κλείστε την παροχή νερού. Αφαιρέστε το φίλτρο και καθαρίστε το σύμφωνα με τις οδηγίες του κατασκευαστή
	3. Οι βαλβίδες ελέγχου της εισόδου νερού δεν είναι σωστά τοποθετημένες	3. Ελέγξτε και τροποποιήστε τη θέση όπως απαιτείται
Το νερό από τη βρύση ζεστού νερού είναι κρύο	1. Ο προγραμματιστής της αντλίας θέρμανσης του σετ Hydro Unit έχει ρυθμιστεί σε λειτουργία θέρμανσης χώρου μόνο.	1. Ελέγξτε τη ρύθμιση
	2. Η αντλία θέρμανσης δεν λειτουργεί	2. Ελέγξτε τη λειτουργία της αντλίας θέρμανσης. Αν υπάρχει υποψία βλάβης, συμβουλευτείτε το Εγχειρίδιο της αντλίας θέρμανσης
	3. Βλάβη του αισθητήρα θερμοκρασίας του Κύλινδρος νερού	3. Ελέγξτε τη λειτουργία του αισθητήρα. Προβείτε σε αντικατάσταση, αν απαιτείται
Το νερό από τις βρύσες ζεστού νερού είναι απλώς χλιαρό	1. Έχει τεθεί σε λειτουργία ο θερμικός διακόπτης υπερθέρμανσης του Θερμοαντλήρα κυλίνδρου	1. Ελέγξτε. Πατήστε το κουμπί επαναφοράς του θερμικού διακόπτη.
	2. Βλάβη του αισθητήρα θερμοκρασίας του Κύλινδρος νερού	2. Ελέγξτε τη λειτουργία του αισθητήρα. Προβείτε σε αντικατάσταση, αν απαιτείται
Το νερό από τη βρύση ζεστού νερού είναι πολύ καυτό	1. Η θερμοκρασία αποθήκευσης νερού που έχει ρυθμιστεί στο προγραμματιστή της αντλίας θέρμανσης είναι πολύ υψηλή	1. Ελέγξτε και τροποποιήστε όπως απαιτείται
	2. Βλάβη του αισθητήρα θερμοκρασίας του Κύλινδρος νερού	2. Ελέγξτε τη λειτουργία του αισθητήρα. Προβείτε σε αντικατάσταση, αν απαιτείται
Γίνεται διαρκής εκκένωση νερού από τη βαλβίδα εκτόνωσης της πίεσης	1. Η πίεση στην κεντρική παροχή νερού είναι πολύ υψηλή	1. Για τη ρύθμιση της σωστής πίεσης, ανατρέξτε στην ενότητα "Σημαντικές σημειώσεις για την εγκατάσταση". Αν είναι απαραίτητο, τοποθετήστε μια βαλβίδα μείωσης της πίεσης στην παροχή εισόδου νερού
	2. Έχει καταστραφεί η βάση της βαλβίδας εκτόνωσης πίεσης	2. Αφαιρέστε και αντικαταστήστε



## 11.0 ΕΓΓΥΗΣΗ

Για πληροφορίες σχετικά με την εγγύηση επικοινωνήστε με τον προμηθευτή σας της Αντλίας θέρμανσης ESTIA.

- 11.1 Η εγκατάσταση της μονάδας έχει γίνει σύμφωνα με τις παρούσες οδηγίες και όλα τα αναγκαία στοιχεία ελέγχου της εισροής νερού καθώς και οι αντλίες ασφαλείας έχουν τοποθετηθεί σωστά.
- 11.2 Χρησιμοποιούνται οι βαλβίδες ή τα στοιχεία ελέγχου που συνιστώνται από τον κατασκευαστή.
- 11.3 Η μονάδα δεν παραποιείται και συντηρείται τακτικά, όπως περιγράφεται στις παρούσες οδηγίες.
- 11.4 Η μονάδα χρησιμοποιείται μόνο για τη θέρμανση πόσιμου νερού (μέγ. 250mg/l χλωριούχο άλας).
- 11.5 Η μονάδα δεν έχει υποβληθεί σε υψηλά επίπεδα χλωρίου από την παροχή του νερού βρύσης ή σε ακατάλληλες μεθόδους απολύμανσης.
- 11.6 Μετά από την προετοιμασία για λειτουργία η μονάδα θα τεθεί σε λειτουργία μέσα σε μια περίοδο 7 ημερών. Εάν δεν ισχύει αυτό, τότε η μονάδα θα πρέπει είτε να αποστραγγιστεί ή να ξεπλένεται κατά τακτά διαστήματα όπως απαιτείται από τα αναφερόμενα στην ενότητα "Προετοιμασία για λειτουργία – Προειδοποίηση".
- 11.7 Η εγγύηση της μονάδας **ΔΕΝ** καλύπτει βλάβες λόγω σχηματισμού πάγου ή συσσώρευσης αλάτων.
- 11.8 Η παρούσα εγγύηση δεν επηρεάζει τα προβλεπόμενα από το νόμο δικαιώματα του καταναλωτή.

Η εγγύηση αυτή **ΔΕΝ** καλύπτει την εξωτερική μονάδα αντλίας θέρμανσης αέρα-νερού ESTIA ή τη Μονάδα ESTIA Hydro Unit.

## 12.0 ΠΕΡΙΒΑΛΛΟΝΤΙΚΕΣ ΠΛΗΡΟΦΟΡΙΕΣ

- 12.1 Το παρόν προϊόν κατασκευάζεται από ποικίλα ανακυκλώσιμα υλικά. Στο τέλος της διάρκειας ωφέλιμης λειτουργίας του πρέπει να απορρίπτεται σε τοπικό κέντρο ανακύκλωσης για την πλήρη αξιοποίηση των πλεονεκτημάτων της ανακύκλωσης για το περιβάλλον.
- 12.2 Ως υλικό μόνωσης έχει χρησιμοποιηθεί αφρός πολυουρεθάνης ελεύθερης διαστολής CFC/HCFC με μηδενικό συντελεστή μείωσης του όζοντος.



**Λόγω του ρυθμού ανάπτυξης των προϊόντων, διατηρούμε το δικαίωμα αλλαγής των προδιαγραφών του προϊόντος χωρίς ειδοποίηση. Ωστόσο καταβάλλουμε κάθε δυνατή προσπάθεια ώστε κατά την ημερομηνία έκδοσης του παρόντος όλες οι περιεχόμενες πληροφορίες να είναι ακριβείς.**

## ΣΗΜΑΝΤΙΚΕΣ ΠΛΗΡΟΦΟΡΙΕΣ ΚΑΙ ΠΡΟΕΙΔΟΠΟΙΗΣΗ

**ΔΙΑΒΑΣΤΕ ΠΡΙΝ ΕΓΚΑΤΑΣΤΗΣΕΤΕ ΤΗ ΜΟΝΑΔΑ. ΦΥΛΑΣΣΕΤΑΙ ΣΕ ΑΣΦΑΛΕΣ ΜΕΡΟΣ. ΟΙ ΠΛΗΡΟΦΟΡΙΕΣ ΣΤΙΣ ΑΚΟΛΟΥΘΕΣ ΣΗΜΕΙΩΣΕΙΣ ΕΙΝΑΙ ΑΠΑΡΑΙΤΗΤΕΣ ΓΙΑ ΤΗΝ ΑΠΟΡΡΙΨΗ ΤΗΣ ΜΟΝΑΔΑΣ ΣΤΟ ΤΕΛΟΣ ΤΟΥ ΚΥΚΛΟΥ ΖΩΗΣ ΤΗΣ Ή ΓΙΑ ΤΗΝ ΕΠΑΝΑΧΡΗΣΙΜΟΠΟΙΗΣΗ ΤΗΣ.**

- Αντιμετωπίζουμε με μεγάλη ευαισθησία το περιβάλλον και χαιρετίζουμε την Οδηγία αριθ. 2002/96/ΕΚ ΑΗΗΕ (σχετικά με τα απόβλητα ειδών ηλεκτρικού και ηλεκτρονικού εξοπλισμού).
- Το προϊόν αυτό συμμορφώνεται με την Οδηγία αριθ. 2002/96/ΕΚ της Ε.Ε. Πρέπει να συλλέγεται ξεχωριστά μετά το πέρας της χρήσης του και δεν πρέπει να απορρίπτεται μαζί με τα υπόλοιπα οικιακά απορρίμματα.
- Στόχοι της Οδηγίας αριθ. 2002/96/ΕΚ της Ε.Ε. είναι να αντιμετωπιστεί το πρόβλημα του γρήγορα αυξανόμενου όγκου αποβλήτων ειδών ηλεκτρικού και ηλεκτρονικού εξοπλισμού, να αυξηθεί η ανακύκλωση των αποβλήτων ειδών ηλεκτρικού και ηλεκτρονικού εξοπλισμού ("ΗΗΕ") και να περιοριστεί ο συνολικός όγκος αποβλήτων ΗΗΕ ("ΑΗΗΕ") που απορρίπτονται.
- Το εικονίδιο του κάδου με ρόδες που φέρει διαγραφή, το οποίο εμφανίζεται επάνω στο παρόν προϊόν υποδεικνύει πως το προϊόν αυτό εμπίπτει στην Οδηγία.
- Ο χρήστης είναι υπεύθυνος για την αποκομιδή του προϊόντος στις κατάλληλες εγκαταστάσεις περισυλλογής, όπως ορίζεται από το δήμο σας ή από το διανομέα. Σε περίπτωση εγκατάστασης νέου προϊόντος, ενδέχεται να υπάρχει η δυνατότητα περισυλλογής του παλιού ΑΗΗΕ απευθείας από τον διανομέα.
- Ο κατασκευαστής, ο εισαγωγέας και ο διανομέας είναι υπεύθυνοι για την περισυλλογή και την επεξεργασία του ΑΗΗΕ, είτε απευθείας είτε μέσω συστήματος περισυλλογής. Ο διανομέας της χώρας σας εμφανίζεται παρακάτω.
- Σε περίπτωση παραβίασης της Οδηγίας, ορίζονται σχετικές κυρώσεις σε κάθε χώρα.
- Γενικά, ακολουθούμε την ερμηνεία του CECED (Ευρωπαϊκό Συμβούλιο Κατασκευής Ηλεκτρικών Οικιακών Συσκευών), σύμφωνα με την οποία η Οδηγία ΑΗΗΕ ισχύει για φορητές μονάδες, αφυγραντήρες, WRAC (Window Room Air to Water Heat Pumps - αντλίες θέρμανσης αέρα - νερού παραθύρου - δωματίου), δυαδικά συστήματα έως 12kW, ψυγεία και καταψύκτες με σύνδεση σε πρίζα.
- Ωστόσο, ενδέχεται να υπάρχουν διαφορές ανάμεσα στις διάφορες νομοθεσίες των κρατών μελών. Στις περιπτώσεις που οι εθνικοί νόμοι αποκλείουν κάποια προϊόντα από την Οδηγία για τα ΑΗΗΕ, πρέπει να τηρούνται οι εν λόγω νόμοι. Στις χώρες όπου τα προϊόντα αυτά δεν καλύπτονται από την Οδηγία για τα ΑΗΗΕ, δεν χρειάζεται να ακολουθούνται οι κανόνες για τα ΑΗΗΕ.
- Η Οδηγία για τα ΑΗΗΕ δεν ισχύει για προϊόντα που πωλούνται εκτός της Ευρωπαϊκής Κοινότητας. Στις περιπτώσεις αυτές οι κανονισμοί για τα ΑΗΗΕ δεν χρειάζεται να ακολουθούνται, ωστόσο πρέπει να διασφαλίζεται η συμμόρφωση με τυχόν τοπικούς κανονισμούς.





## LUFT/VATTEN-VÄRMEPUMPSSYSTEM

# VATTENBEHÅLLARE MED SLUTET SYSTEM FÖR HUSHÅLL – INDIREKT UPPVÄRMNINGSSYSTEM

## INSTALLATIONS- OCH SERVICEMANUAL

### VIKTIGT

LÄS DESSA INSTRUKTIONER NOGGRANT INNAN INSTALLATIONEN AV VATTENBEHÅLLARE PÅBÖRJAS. FELAKTIG INSTALLATION KAN GÖRA GARANTIN OGILTIG. VATTENBEHÅLLARE MÅSTE INSTALLERAS AV EN BEHÖRIG INSTALLATÖR I ENLIGHET MED GÄLLANDE BESTÄMMELSER FÖR BYGG- OCH ANLÄGGNINGSARBETEN. FÖRVARA DENNA MANUAL TILLSAMMANS MED APPARATEN FÖR FRAMTIDA REFERENS.

### TEKNISK SPECIFIKATION

Nominellt tryck	1,0 MPa (10 bar)
Provtryck (hydrauliskt)	1,5 MPa (15 bar)
Minsta rekommenderat inloppstryck	0,1 MPa (1 bar)
Primärkretsens maximala drifttryck	0,35 MPa (3,5 bar)
Nominell effekt (värmeelement)	2,75kW vid 230V~
Vikt (full)	150 liter indirekt 181 kg
	210 liter indirekt 251 kg
	300 liter indirekt 360 kg

### KOMPONENTER SOM INGÅR

**SV**

- Vattenbehållare med elektriskt värmeelement och värmekontroll.
- Säkerhetsgrupp med tryckbegränsningsventil, backventil och isoleringsventil.
- Muttrar och klämringar.
- Skruvnyckel för värmeelement.

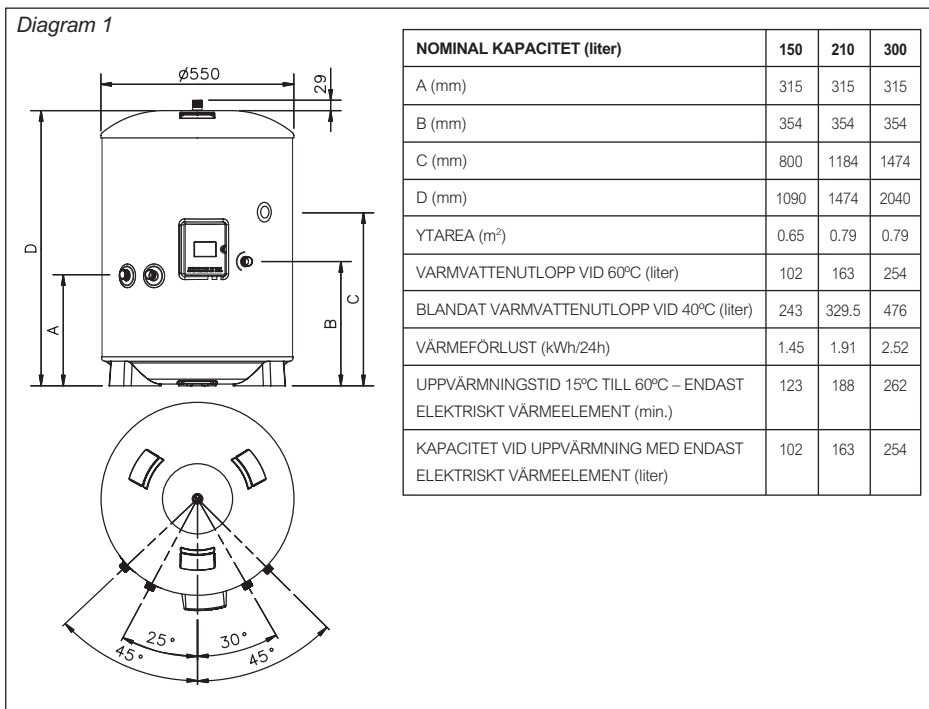
## 1.0 VIKTIGA INSTALLATIONSMOMENT

- 1.1 Denna enhet, som ska användas tillsammans med ESTIA luft till vattenvärmepump, är en specialutformad oventilerad vattencylinder.
- 1.2 Alla avtappningsledningarna som har kopplats till säkerhetsventilen måste installeras i en kontinuerligt nedåtgående riktning i en frostfri miljö. **BRISTANDE TRYCKBEGRÄNSNING OGILTIGGÖR ALLA GARANTIER OCH LEDER TILL EN FARLIG INSTALLATION.**
- 1.3 Där inloppstrycket överstiger 0,6 MPa (6 bar) bör en övertrycksventil (ställd på max. 0,5 MPa (5 bar)) kopplas till beredarens inlopp för tillförsel. Denna **FÅR INTE** placeras mellan tryckbegränsningsventilen och vattenbehållare.
- 1.4 En backventil bör kopplas till vattenbehållare inlopp för tillförsel. Denna **FÅR INTE** placeras mellan tryckbegränsningsventilen och vattenbehållare.
- 1.5 Denna apparat är inte ämnad för bruk av personer (inklusive barn) med nedsatt fysisk, sensorisk eller mental förmåga, eller som saknar erfarenhet eller kunskap, såvida de inte övervakats eller fått instruktioner om användningen av apparaten av en person som ansvarar för deras säkerhet. Barn måste övervakas så att de inte leker med apparaten.

## 2.0 INSTALLATION – ALLMÄNNA KRAV

- 2.1 Nationella elinstallationsbestämmelser kan innefatta restriktioner gällande installation av dessa apparater på vissa platser, t.ex. badrum.
- 2.2 Apparaten **MÅSTE** installeras vertikalt.
- 2.3 Apparaten måste placeras på en jämn yta.
- 2.4 Det bör lämnas tillräckligt med utrymme runt apparaten för röranslutningar och för åtkomlighet av reglage och kopplade säkerhetsventiler. Se Diagram 1 och dimensionstabellen för att fastställa en lämplig plats för beredaren.
- 2.5 **OBS:** Säkerställ att golvet kan bära upp apparatens fulla vikt (se **TEKNISK SPECIFIKATION**).
- 2.6 **INSTALLERA EJ** apparaten där det finns risk för frysning.
- 2.7 Fastighetens vattennät tillför behovet av både varmvatten och kallvatten samtidigt. Det rekommenderas att det maximala vattenbehovet beräknas och att vattentillförseln kontrolleras för att försäkra att detta behov kan tillgodoses. **OBS:** ett högt tryck i vattennätet garanterar inte alltid en hög vattenflöde. Vi rekommenderar att det lägsta kravet på tillförsel bör vara ett tryck på 0,1 MPa (1,0 bar) och ett vattenflöde på 20 liter per minut. Vattenflödet i utloppen kan emellertid vara lågt om flera utlopp används samtidigt. Ju högre tryck och vattenflöde som finns tillgängligt, desto bättre fungerar systemet.
- 2.8 **BEGRÄNSNINGAR:**  
Vattenbehållaren bör inte användas i samband med något av följande:
  - Situationer där skötseln förmodligen försummas eller där skyddsanordningar mixtras med.
  - Vattentillförsel som antingen inte har ett tillräckligt tryck eller som kan ha en periodisk tillförsel.
  - Situationer där det är omöjligt att säkert leda bort utsläpp från säkerhetsventilerna.

- Områden där vattentillförseln konsekvent innehåller en hög andel fast substans eller suspenderade partiklar, om inte tillräcklig filtrering kan säkras vid vattentillförselns inlopp.

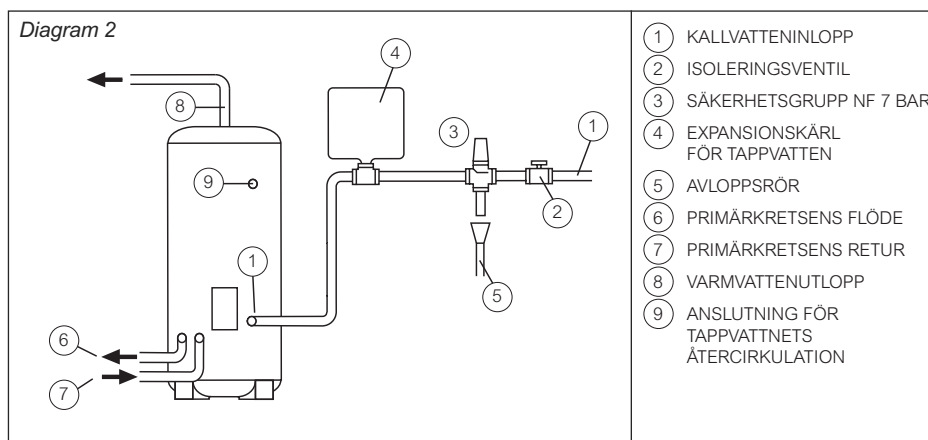


### 3.0 RÖRINSTALLATION

- 3.1 Se avsnittet om **VIKTIGA INSTALLATIONSMOMENT**. Koppla in ventiler i den ordningen som visas i Diagram 2. Säkerställ att ventilerna är installerade på korrekt plats med hjälp av flödespilarnas riktning som markerats på dem. Vattencylindern **MÅSTE** utrustas med en tryckbegränsningsventil som överensstämmer med dina lokala rördragnings- och byggnadsbestämmelser (ingår i säkerhetsgruppen). **BRISTANDE TRYCKBEGRÄNSNING OGILTIGGÖR ALLA GARANTIER OCH LEDER TILL EN FARLIG INSTALLATION**. Alla avtappningsledningarna som har kopplats till säkerhetsventilen måste installeras i en kontinuerligt nedåtgående riktning i en frostfri miljö.
- 3.2 Apparatsens vattenanslutning är anpassad för direktanslutning av rörledningar med en ytterdiameter på 22mm; muttrar och klämringar tillhandahålls för detta ändamål. Gångorna för anslutningarna är G3/4 för att möjliggöra användning av invändiga G3/4 anslutningar om detta krävs. **ANVÄND INTE** förzinkade vattenledningar. Vid användning av stålledning bör ledningen isoleras från kärlet av rostfritt stål med hjälp av dielektriska kopplingar.
- 3.3 **INLOPPET** för tappvatten är markerat med **BLÅTT**, **UTLOPPET** är markerat med **RÖTT**. Flera varma utlopp kan betjänas. Särskilda krav bör emellertid tas i beaktande vid val av kapacitet och det antal utlopp som ska klaras av.
- 3.4 Det rekommenderas att en isoleringsventil kopplas till beredarens kallvattentillförsel.
- 3.5 En avtappningskran måste kopplas in under beredaren i inloppsrossystemet. Den måste placeras mellan beredaren och backventilen.



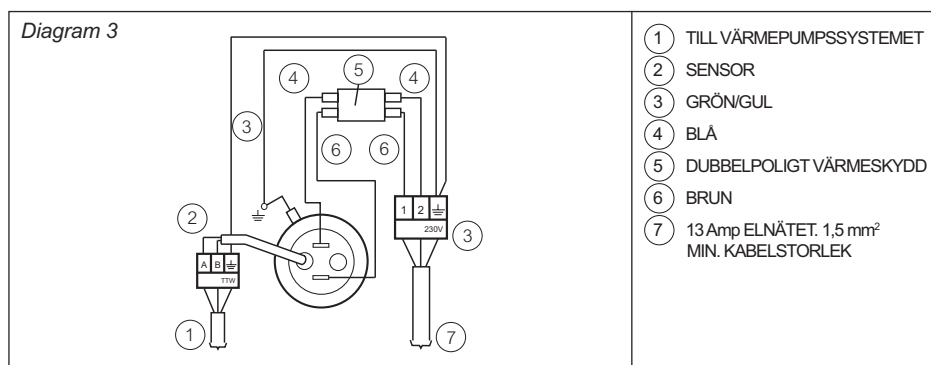
- 3.6 Ett expansionskärl för tappvattenkretsen kan anslutas till kallvattenstillförseln enligt Diagram 2 för att förhindra spill av vatten som expanderat. Följande storlekar rekommenderas:
- |           |                |
|-----------|----------------|
| 150 liter | 12 liters kärl |
| 210 liter | 18 liters kärl |
| 300 liter | 24 liters kärl |
- 3.7 En återcirkulationskrets kan installeras till tappvattenskretsen. En anslutning utgörs för återcirkulationskretsens returledning (invändigt gängad G3/4).
- 3.8 Den primära värmekretsen **MÅSTE** anslutas via Hydro Unit. För fullständiga detaljer, se installationsanvisningen som tillhandahålls med Hydro Unit.



## 4.0 ELEKTRISKA KRAV

- 4.1 Apparaten tillhandahålls med en fabriksmonterad värmeelement med tillhörande termostatkontroll och övertemperaturskydd. Värmeelement nominella effekt är 2,75kW vid 230V ~.
- 4.2 Värmeelement är placerad bakom den vita kontaktskyddet på apparatens framsida. Skyddet är festsatt med 2 skruvar på var sida om skyddet och en gängad kupolmutter på framsidan. **KOPPLA BORT APPARATEN FRÅN ELNÄTET INNAN AVLÄGSNANDE AV SKYDDET.**
- 4.3 Värmeelement **MÅSTE** vara jordad.
- 4.4 All elektrisk installation bör utföras av en behörig elektriker och i enlighet med för installationen gällande bestämmelser. Kretsen måste skyddas med en lämplig säkring och dubbelpolig strömbrytare med minst 3mm avstånd mellan polerna.
- 4.5 Värmeelement bör installeras enligt Diagram 3 och värmepumpens installationsmanual. Elkabeln måste gå via värmepumpens kopplingslåda. Direkt anslutning till elnätet gör garantin ogiltig och kan resultera i att installationen blir farlig. Elkabeln måste ledas genom den högra tillhandahållna kabelförskruvningen och kabelhylsan måste fästas genom att dra åt skruven på kabelförskruvningen.
- 4.6 Värmesensorn bör kopplas till värmepumpens kopplingslåda enligt Diagram 3 och värmepumpens installationsmanual. Kabeln till värmesensorn måste ledas genom den vänstra tillhandahållna kabelförskruvningen och kabelhylsa måste fästas genom att man drar åt skruven på kabelförskruvningen.
- 4.7 Sätt tillbaka kontaktskyddet innan apparaten sätts igång.
- 4.8 **VÄRM EJ** apparaten innan vattenbehållare är helt och hållet fylld med vatten.

- 4.9 Värme kontroll av vattenbehållaren sköts av Hydro Units kontrollpanel. Se luft/vattenvärmepumpens installationsmanual för instruktioner för inställning av det lagrade varmvattnets temperatur.
- 4.10 Eltillförseln från värmepumpen till värmeelement omfattar ett värmeskydd för övertemperatur som stänger av värmeelement i händelse av ett fel i värme kontrollen. **KRINGGÅ EJ** värmeskyddet under några som helst omständigheter.



## 5.0 IDRIFTTAGNING

**VARNING:** Vatten som lämnas stående i en vattenbehållare av rostfritt stål under långa perioder och utan avtappning blir syrefattigt och kan eventuellt fräta på kärlets material. Om utrustningen lämnas oanvänd efter installation och idrifttagning, bör vattenbehållare tömmas eller sköljas igenom regelbundet (en gång per vecka) med färskvatten från vattennätet.

När apparaten tas i bruk bör proceduren för att fylla apparaten och systemkontrollerna, som redogörs för nedan, upprepas.

- 5.1 **SLÅ EJ** på värmepumpen innan apparaten har fyllts med vatten och kontrollerats för läckor.
- 5.2 Kontrollera att alla krav för installation, elektricitet och avloppsrör har uppfyllts.
- 5.3 Kontrollera att samtliga vatten- och elanslutningar är korrekt utförda och täta.
- 5.4 Öppna en varmvattenkran som är kopplad till apparaten och sätt igång apparatens kallvattentillförsel.
- 5.5 Låt apparaten fyllas och låt varmvattenkranen rinna under en kort stund för att släppa ut luft och skölja rörsystemet. Stäng av varmvattenkranen.
- 5.6 Öppna varmvattenkranarna i tur och ordning för att släppa ut luft från systemet.
- 5.7 Kontrollera systemet för vattenläckor när alla varmvattenkranar är stängda och rätta till det som behövs.
- 5.8 Kontrollera manuellt att tryckbegränsningsventilen fungerar. Säkerställ att vattnet flödar fritt från ventilen och genom avloppsröret.
- 5.9 Fyll primärkretsen enligt avsnittet om "Vattenledning" i Hydro Unit installationsmanual. Släpp ut instängd luft genom den automatiska avluftningsventilen eller genom att öppna avluftningsöppningen.
- 5.10 Koppla på värmepumpens eltilförsel och säkerställ att programmeraren är inställd på **VARMVATTEN**. Kontrollera att motoriserade ventiler eller primära

pumpar fungerar och låt apparaten värmas upp. Varmvattnets temperatur kan varieras med hjälp av Hydro Unit fjärrkontroll. För detaljer, se luft/vattenvärmepumpens bruksanvisning.

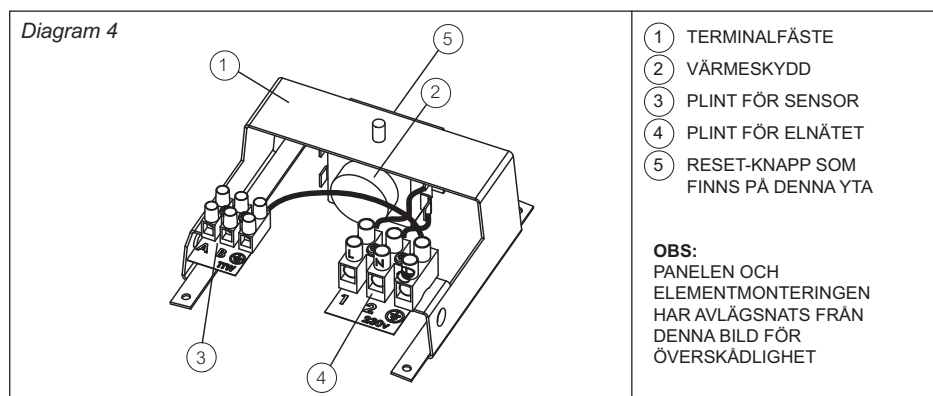
## 6.0 SKÖTSEL – AVKALKNING AV VÄRMEELEMENT

- 6.1 Maskinen kräver lite skötsel, men i områden med hårt vatten behöver apparaten emellertid periodiskt återkommande avkalkning för att säkerställa effektiv funktion. För att avkalka apparaten:
- 6.2 Koppla bort eltillförseln och stäng av värmepumpens. Stäng av vattentillförseln till apparaten.
- 6.3 Öppna en varmvattenkran som är kopplad till apparaten för att släppa ut trycket i systemet. Töm apparaten genom att öppna avtappningsventilen i inloppsrörsystemet.
- 6.4 Öppna kontaktskyddet. Koppla bort ledningarna som ansluter värmeskyddet med värmeelement. Avlägsna värmesensorn försiktigt från sitt dykrör på värmeelement genom att dra den utåt.
- 6.5 Avlägsna värmeskyddets känselkropp försiktigt från sitt dykrör på värmeelement genom att dra den utåt. Var noggrann med att inte trassla till kapillärröret.
- 6.6 Avlägsna elementändens isoleringshölje genom att dra det utåt från elementet.
- 6.7 Skruva loss värmeelement låsmutter. En skruvnyckel levereras med apparaten för att värmeelement låsmutter enkelt ska kunna avlägsnas/dras åt. Avlägsna värmeelement från apparaten. **OBS:** med tiden kan värmeelement packning fastna på passytan. För att avskilja dem från varandra, sätt in en skruvmejsel med ett runt blad i ett av värmeelement dykrör och flytta det varsamt upp och ner.
- 6.8 Avlägsna försiktigt kalk från elementets yta. **ANVÄND EJ** ett vasst redskap då detta kan orsaka skada på elementets yta.
- 6.9 Säkerställ att tätningstorna är rena och att tätningarna är oskadade. Om skador misstänks, sätt in en ny packning.
- 6.10 Ersätt cylindervärmaren och kontrollera att elementändarna sitter **VERTIKALT** (se diagram 3). Sätt fast genom att sätta tillbaka och dra åt värmeelement låsmutter. Det kan hjälpa att stödja värmeelement med en skruvmejsel med runt blad som sätts in i ett av elementets dykrör medan låsmuttern dras åt.
- 6.11 Sätt tillbaka elementändens isoleringshölje genom att trycka försiktigt på elementändarna tills det är i jämnhöjd med framsidan av elementets beslagsplatta.
- 6.12 Ersätt den termiska brytkapillären i den **VÄNSTRA** fickan på cylindervärmaren. Försäkra dig om att den är ordentligt inplacerad och att kapillärröret inte är tilltrasslat. Försäkra dig om att kapillärröret leds så att det inte kommer i kontakt med elementändarna.
- 6.13 Ersätt den termiska sensorn i cylindervärmarens **VÄNSTRA** ficka bakom den termiska brytningen. Säkerställ att den är ordentligt inplacerad och att isoleringsringen är intryckt i den öppna änden på dykröret.
- 6.14 Placera tillbaka värmeelement ledningar genom att sätta in de utvändiga



kabelanslutningarna i de invändiga anslutningshålen på elementet enligt Diagram 3. Kontrollera att samtliga kabelanslutningar är täta och säkra. Placera tillbaka kontaktskyddet och fäst fast det.

- 6.15 **KOPPLA EJ PÅ VARE SIG VÄRMEPUMPEN ELLER VÄRMEELEMENT FÖRRÄN APPARATEN HAR FYLLTS PÅ MED VATTEN.** Ta åter apparaten i drift genom att följa anvisningarna för Installation och **IDRIFTTAGNING**.



## 7.0 SKÖTSEL – SÄKERHETSVENTILER

- 7.1 Tryckbegränsningsventilen och andra anslutna säkerhetsventiler bör kontrolleras regelbundet för korrekt funktion.
- 7.2 Sätt igång ventilen/ventilerna manuellt och säkerställ att vattnet flödar fritt från ventilen och genom avloppsröret. **OBS:** vattnet som rinner ut kan vara väldigt hett. Säkerställ att ventilen sitter rätt efter att den har öppnats.

## 8.0 BRUKSANVISNING

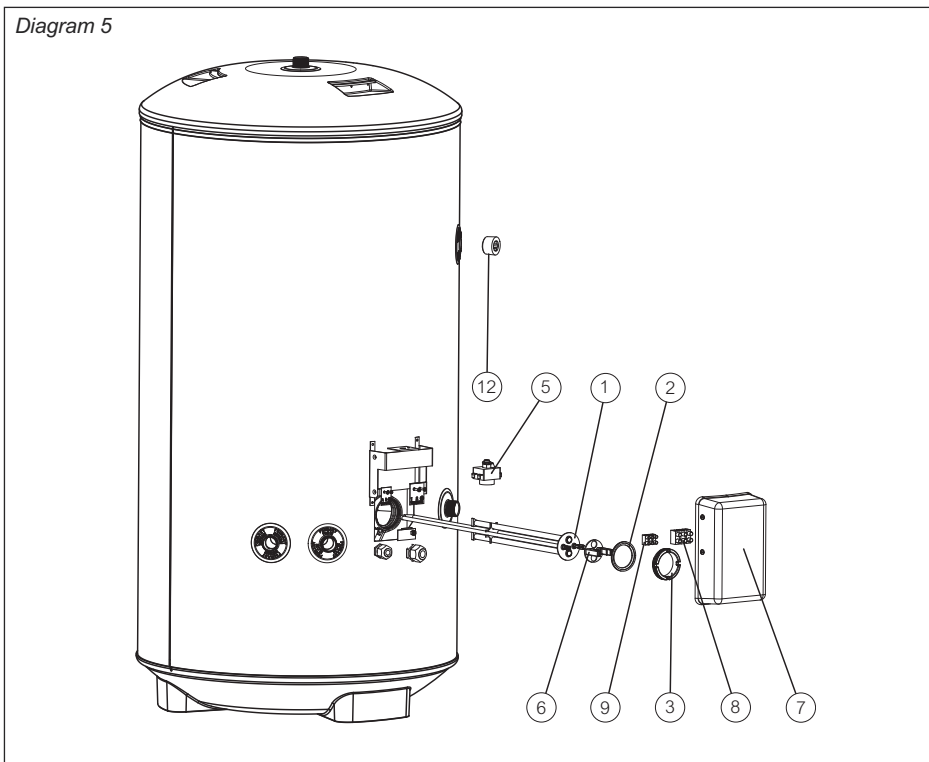
- 8.1 Vattnets lagringstemperatur i luft/vattenvärmepumpssystemets vattenbehållare ställs in på Hydro Unit kontrollpanel. Detta kan ställas in på temperaturer mellan 40°C och 75°C, 60°C rekommenderas. För detaljer om hur lagringstemperaturen kan justeras vid behov, se Hydro Unit installationsmanual.
- 8.2 För att undvika risk för nedfrysning när beredaren inte används under långa perioder på vintern, rekommenderas att värmepumpens primära tillförsel och värmeelement stängs av och att vattenbehållare avtappas. **OBS:** detta skyddar inte andra delar av rörsystemet. Om detta utförs måste vattenbehållare helt återtas i drift innan värmepumpen eller värmeelement slås på, annars kan skador uppstå.
- 8.3 För att säkerställa att beredaren fortsätter att fungera med optimal prestanda bör den skötas med jämna mellanrum enligt de anvisningar som ges under avsnitten med rubriken **SKÖTSEL**.
- 8.4 **VIKTIGA ANMÄRKNINGAR TILL ANVÄNDAREN**
- Blockera eller begränsa inte utsläppen från någon ansluten säkerhetsventil.
  - Mixtra inte med någon ansluten säkerhetsventil.
  - Kringgå ej värmeskyddet under några som helst omständigheter.
  - Om ett fel misstänks kontakta en behörig mekaniker för att kontrollera systemet.

## 9.0 RESERVDELAR

- 9.1 Följande lista visar reservdelar som finns tillgängliga för värmepumpen/vattenbehållare. Se apparatens etikett med teknisk data för att identifiera den installerade modellen och för att garantera att rätta delar beställs.
- 9.2 **ANVÄND EJ** reservdelar som inte rekommenderas av tillverkaren då detta gör garantin ogiltig och kan göra installationen farlig.

9.3	<b>Beteckning</b>	<b>Delnr.</b>
	① Värmeelement .....	95:606:967
	② Packning till värmeelement.....	95:611:012
	③ Låsmutter till värmeelement .....	95:607:118
	Skruvnyckel för värmeelement .....	95:607:119
	⑤ Värmeskydd (värmeelement).....	95:612:038
	⑥ Elementändens isoleringshölje.....	95:607:115
	⑦ Kontaktskydd .....	95:614:109
	⑧ Plint (värmeelementanslutning).....	95:607:113
	⑨ Plint (värmesensorsanslutning).....	95:607:114
	Värmesensor .....	95:612:037
	Sats med muttrar och klämringar .....	95:607:116
	⑫ Sekundär rörplugg för återcirkulation .....	95:607:117
	Säkerhetsgrupp.....	95:605:073

Diagram 5



SV

## 10.0 FELSÖKNING

Tabellen nedan listar några vanliga fel, möjliga orsaker och åtgärder. All service av vattenbehållare och värmepumpssystemet måste utföras av en utbildad behörig installatör.

FEL	MÖJLIG ORSAK	ÅTGÄRD
Inget varmvattenflöde	1. Vattennätet avstängt	1. Kontrollera och sätt på vattentillförseln
	2. Vattennätets filter (om ansluten) är täppt	2. Stäng av vattentillförseln. Avlägsna filtret och rengör det i enlighet med tillverkarens instruktioner
	3. Kontrollventiler för inloppsvatten felaktigt anslutna	3. Kontrollera och sätt in igen efter behov
Vattnet från varmvattenkranarna är kallt	1. Kontrollpanelen på värmepumpens Hydro Unit är inställd på endast Uppvärmning av utrymmen	1. Kontrollera inställningar
	2. Värmepumpen fungerar inte	2. Kontrollera värmepumpens drift. Om ett fel misstänks, se värmepumpens manual
	3. Vattenbehållare temperaturgivare är felaktig	3. Kontrollera givarens drift. Byt ut, om nödvändigt
Det kommer endast varmt vatten från varmvattenkranarna	1. Värmeelement värmeskydd har utlösts.	1. Kontrollera. Återställ genom att trycka på knappen på skyddet.
	2. Vattenbehållare temperaturgivare är felaktig	2. Kontrollera givarens drift. Byt ut, om nödvändigt
Vattnet från varmvattenkranarna är för varmt	1. Temperaturen för vattenlagring är inställd på för högt värde på värmepumpens kontrollpanel	1. Kontrollera och justera efter behov
	2. Vattenbehållare temperaturgivare är felaktig	2. Kontrollera givarens drift. Byt ut, om nödvändigt
Vatten sipprar ständigt ut från tryckbegränsningsventilen	1. För högt tryck i vattennätet	1. Se avsnittet om Viktiga installationsmoment för rätt tryck. Anslut en övertrycksventil till inloppet för vattentillförsel, om nödvändigt
	2. Tryckbegränsningsventilens säte är skadat	2. Avlägsna och ersätt

## 11.0 GARANTI

---

För garantiinformation, vänligen kontakta din ESTIA värmepumpsleverantör.

- 11.1 Apparaten har installerats i enlighet med dessa anvisningar och alla nödvändiga inloppskontroller och säkerhetsventiler har anslutits korrekt.
- 11.2 Alla ventiler och kontroller är sådana som rekommenderas av tillverkaren.
- 11.3 Apparaten inte har mixtrats med och har skötts regelbundet på de sätt som redogörs för i dessa anvisningar.
- 11.4 Apparaten har använts endast för uppvärmning av tjänligt vatten (max. 250 mg/l klorid).
- 11.5 Apparaten har inte utsatts för höga kloridhalter i vattentillförseln eller felaktiga desinfektionsmetoder.
- 11.6 Efter idrifttagande tas apparaten i bruk inom en period av 7 dagar. Om så ej är fallet måste den antingen tömmas eller sköljas regelbundet i enlighet med avsnittet "Idrifttagning – Varning".
- 11.7 Apparaten är **EJ** garanterad mot skador orsakade av frost eller kalk.
- 11.8 Denna garanti inverkar inte på kundens lagstadgade rättigheter.

Denna garanti äcker **INTE** ESTIA luft till vatten-värmepumps utomhusenhet eller ESTIA Hydro Unit.

## 12.0 MILJÖINFORMATION

---

- 12.1 Denna produkt är tillverkad av många återvinningsbara material. I slutet på sitt användbara liv bör den kasseras på en kommunal återvinningscentral för att inbringa fullständiga miljöfördelar.
- 12.2 Isoleringsmaterialet är expanderat polyuretanskum som är fritt från CFC/HCFC och vars värde för uttunning av ozonlagret är noll.

**Takten på produktutvecklingen är sådan att vi reserverar oss rättigheten att ändra på produktspecifikationerna utan förvarning. Vi strävar emellertid efter att se till att all information i denna broschyr är riktig vid tidpunkten för publicering.**

## VIKTIG INFORMATION OCH VARNING

**LÄS INNAN DU INSTALLERAR ENHETEN. FÖRVARA PÅ EN SÄKER PLATS. INFORMATIONEN I FÖLJANDE TEXT BEHÖVS VID AVFALLSHANTERING AV ENHETEN ELLER OM DEN ÅTERANVÄNDS.**

- Vi är mycket miljömedvetna och välkomnar direktiv 2002/96/EC WEEE (avfall från elektriska och elektroniska produkter).
- Denna produkt överensstämmer med EU-direktivet 2002/96/EC. Den måste hämtas separat när den tagits ur bruk och får inte avyttras som osorterat kommunalt avfall.
- Målsättningen med EU-direktiv 2002/96/EC är att tackla den allt snabbare avfallsströmmen av elektriska och elektroniska utrustningar, öka återvinningen av elektriska och elektroniska utrustningar och begränsa den totala mängden WEEE som skickas för avyttring.
- Den överkorsade papperskorgen som fästs på produkten visar att denna produkt kan lyder under direktivet.
- Användaren ansvarar för att ta produkten till lämplig miljöstation enligt specifikationer från kommun eller leverantör. När det gäller installation av en ny produkt är det möjligt att återförsäljaren kan hämta gammal WEEE direkt.
- Tillverkaren, importören och återförsäljaren ansvarar för att hämta och behandla WEEE, antingen direkt eller via ett uppsamlingsystem. Ditt lands distributör visas nedan.
- Brott mot direktivet innebär straffpåföljder i varje land.
- Vi följer allmänt CECED:s tolkning som anser att WEEE-direktivet är tillämpligt på bärbara enheter, avfuktare, fönsterluft till vattenvärmepumpar, uppdelade system på upp till 12kW, kylskåp och frysboxar.
- Det kan dock finnas skillnader mellan de olika medlemsländernas lagar. Vid händelse av att nationella lagar utesluter produkter som omfattas av WEEE måste dessa lagar följas. I länder där dessa produkter inte omfattas av WEEE, behöver WEEE:s förpliktelser inte följas.
- WEEE-direktivet gäller inte produkter som säljs utanför Europeiska Unionen. I dessa fall behöver WEEE:s förpliktelser inte följas, men man måste säkerställa att övriga lokala bestämmelser följs.
- Kontakta den kommunala anläggningen, affären/handlaren/återförsäljaren/installatören som har sålt produkten eller tillverkaren om du behöver ytterligare information.

SV



## LUFT-TIL-VANN VARMEPUMPESYSTEM

### HUSHOLDNINGS-VANNSYLINDER MED LUKKET AVLØP (UVENTILERT)

## INSTALLASJONS- OG VEDLIKEHOLDSHÅNDBOK

#### VIKTIG

DISSE INSTRUKSJONENE MÅ LESES OG FORSTÅS FØR VANNSYLINDER INSTALLERES. FEILAKTIG INSTALLASJON KAN GJØRE GARANTIEEN UGYLDIG. VANNSYLINDER MÅ INSTALLERES AV EN KVALIFISERT INSTALLATØR I OVERENSSTEMMELSE MED LOKALE FORSKRIFTER FOR SANITÆRANLEGG, BYGGARBEID OG ELEKTRISITET. OPPBEVAR HÅNDBOKEN VED ENHETEN FOR FREMTIDIG REFERANSE.

#### TEKNISKE SPESIFIKASJONER

Nominelt trykk	1,0 MPa (10 bar)
Testtrykk (hydraulisk)	1,5 MPa (15 bar)
Minimalt anbefalt tilførselstrykk	0,1 MPa (1 bar)
Maks. arbeidstrykk i primærkretsen	0,35 MPa (3,5 bar)
Elektriske data (sylindervermer)	2,75kW @ 230V~
Vekt (full)	150 liter indirekte 181 kg
	210 liter indirekte 251 kg
	300 liter indirekte 360 kg

#### LEVERTE KOMPONENTER

- Vannsylinder som inneholder elektrisk sylindervermer og varmekontroll.
- Sikkerhetsgruppe som inneholder en trykkbegrensningsventil, sikkerhetsventil (tilbakeslag) og isolasjonsventil.
- Omløpsmutter og beslag.
- Skiftenøkkel for sylindervermer.

**NO**

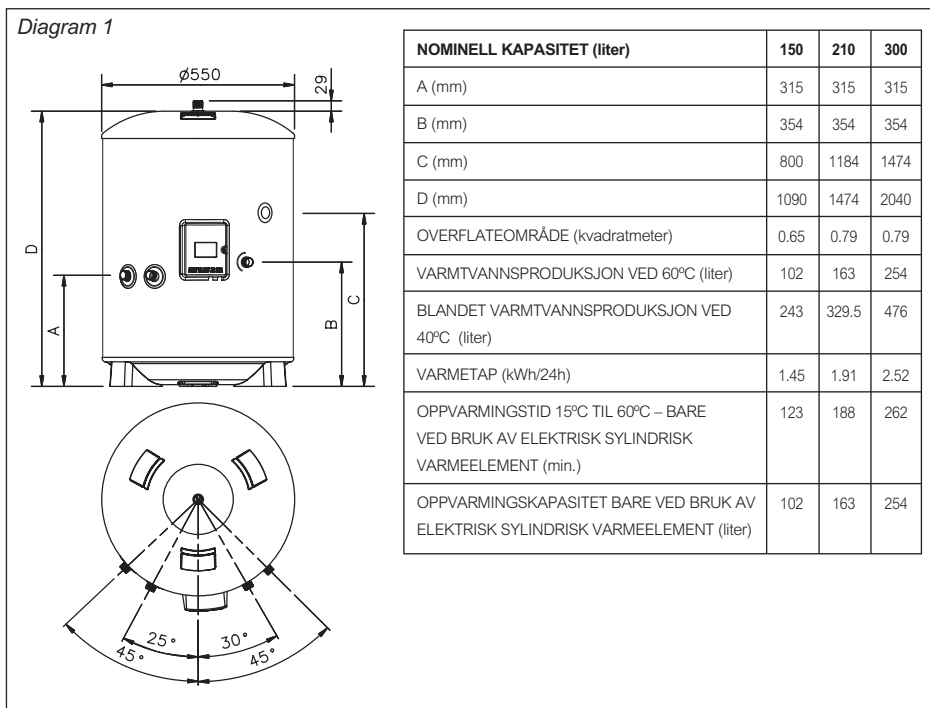
## 1.0 VIKTIGE INSTALLASJONSOPPLYSNINGER

- 1.1 Denne enheten, for bruk sammen med ESTIA luft-til-vann varmepumpesystem, er en spesialdesignet uventilert vannkolbe.
- 1.2 Vannbeholderen **MÅ** være utstyrt med en trykkavlastningsventil som tilfredsstiller kravene i de lokale VVS- og bygningsvedtektene. **MANGLENDE INSTALLASJON AV ADEKVAT TRYKKAVLASTNING VIL GJØRE GARANTIE UGYLDIG OG VIL FØRE TIL EN FARLIG INSTALLASJON.**
- 1.3 Dersom inngangstrykket overskrider 0,6 MPa (6 bar), bør en trykkreduksjonsventil (innstilt på 0,5 MPa (5 bar)) monteres i tilførselsinngangen til vannsylinder. Denne **MÅ IKKE** monteres mellom trykkavlastningsventilen og vannsylinder.
- 1.4 En tilbakeslagsventil bør monteres på vanntilførselsinngangen til varmtvannsberederen. Denne **MÅ IKKE** monteres mellom trykkavlastningsventilen og vannsylinder.
- 1.5 Dette utstyret er ikke beregnet på bruk av personer (inkludert barn) med reduserte fysiske, sensoriske eller mentale evner, manglende erfaring eller kunnskaper, med mindre en person som er ansvarlig for deres sikkerhet har gitt veiledning eller instruksjon i bruk av utstyret. Barn må ikke få leke med utstyret.

## 2.0 INSTALASJON — GENERELLE KRAV

- 2.1 Nasjonale forskrifter for elektrisk installasjon kan omfatte bregrensninger med hensyn til installasjon av disse enhetene i enkelte områder, f.eks. badetrom.
- 2.2 Enheten **MÅ** installeres vertikalt.
- 2.3 Enheten må plasseres på en jevn overflate.
- 2.4 Man må sørge for tilstrekkelig plass rundt enheten for rørforbindelser og tilgang til kontroller og eventuelle installerte sikkerhetsventiler. Se diagram 1 og dimensjonstabellen for å bestemme en egnet posisjon for varmtvannsberederen.
- 2.5 **MERK:** Forsikre deg om at gulvet kan bære hele vekten av enheten (se **TEKNISKE SPESIFIKASJONER**).
- 2.6 **IKKE** installer enheten der den kan utsettes for frost.
- 2.7 Hovedvanntilførselen vil tilføre både varmt og kaldt vann samtidig. Det anbefales at makskrav på vann fastsettes og at vanntilførselen sjekkes for å sikre at dette kravet kan møtes på en tilstrekkelig måte. **MERK:** et sterkt trykk på hovedvanntilførselen vil ikke alltid garantere et høyt vanntrykk. Vi anbefaler at minstekrav til tilførseltrykk bør være 0,1MPa (1,0 bar) og 20 liter/min strømråde. Men utløpets strømråde kan bli svakt hvis flere utløp brukes samtidig. Jo høyere trykk og strømråde, jo bedre systemytelse.”
- 2.8 **BEGRENSNINGER:**  
Vannsylinderen bør ikke brukes ved noen av følgende:
  - Situasjoner hvor vedlikehold antas å ville neglisjeres, eller sikkerhetsutstyr kan bli ødelagt.
  - Vanntilførselen kan ha utilstrekkelig trykk eller tilgangen kan bli avbrutt.
  - Situasjoner hvor det ikke er mulig å på en trygg måte kanalisere vekk utløp fra sikkerhetsventiler.
  - Områder hvor vanntilførselen kan inneholde en høy andel tørrstoff eller slam over tid, med mindre tilstrekkelig filtrering kan sikre innløpet til vanntilførselen.

**NO**



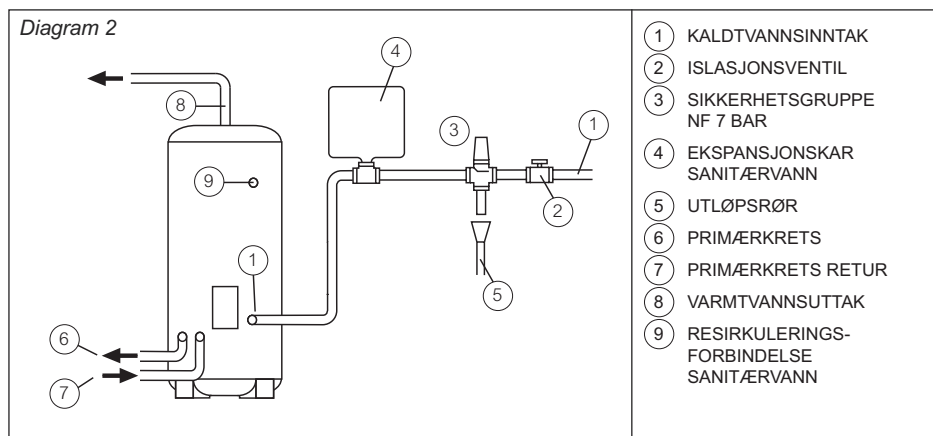
### 3.0 INSTALLASJON – RØRLEGGERARBEID

- 3.1 Se avsnittet **VIKTIGE INSTALLASJONSOPPLYSNINGER**. Monter ventilene i den rekkefølgen som er vist i diagram 2. Sørg for at ventilene installeres i riktig retning ved hjelp av strømningspilene som er markert på dem. Vannbeholderen **MÅ** være utstyrt med en trykkavlastningsventil som tilfredsstiller kravene i de lokale **VVS-** og bygningsvedtektene (Sikkerhetsgruppe levert). **MANGLENDE INSTALLASJON AV ADEKVAT TRYKKAVLASTNING VIL GJØRE GARANTIEEN UGYLDIG OG VIL FØRE TIL EN FARLIG INSTALLASJON.** Ethvert avløpsrør som kobles til trykkavlastningsenheten må installeres i en kontinuerlig nedadgående retning i frostfrie omgivelser.
- 3.2 Vannkoblingene på enheten aksepterer direkte tilkobling av rør med 22mm utvendig diameter; muttre og skjæreringer for dette er vedlagt. Gjengene på koblingene er G3/4 for å muliggjøre bruk av G3/4 hukoblinger om nødvendig. **BRUK IKKE** sinkbelagte vannrør. Hvis stålrør brukes bør røret isoleres fra den rustfrie stålbekholderen ved elektrisk isolerende koblinger.
- 3.3 Sanitærvanninntaket er markert **BLÅTT**, uttaket er markert **RØDT**. Flere varmtvannsuttak kan tilkobles, imidlertid bør man vurdere den individuelle plasseringen når man velger kapasitet og antall tilkoblede uttak.
- 3.4 Det anbefales å montere en avstengningsventil på kaldtvannstilførselen til varmtvannsberederen.
- 3.5 En tappekran bør monteres i rørledningen under varmtvannsberederen. Den må plasseres mellom varmtvannsberederen og tilbakeslagsventilen.
- 3.6 Et ekspansjonskar for sanitærkretsen kan monteres til kaldtvannstilførselen som vist i diagram 2 for å forhindre spill av ekspandert vann. Følgende dimensjoner anbefales:
  - 150 liter    12 liters ekspansjonskar
  - 210 liter    18 liters ekspansjonskar
  - 300 liter    24 liters ekspansjonskar

**NO**



- 3.7 En resirkulasjonskrets kan installeres på sanitærvannkretsen. En tilkobling for returledning fra resirkulasjonskretsen (gjenget G3/4 hunn) er vedlagt.
- 3.8 Den primære varmekretsen **MÅ** tilkobles via Hydro Unit. Se installasjonsinstruksjonene som følger med Hydro Unit for fullstendig informasjon.

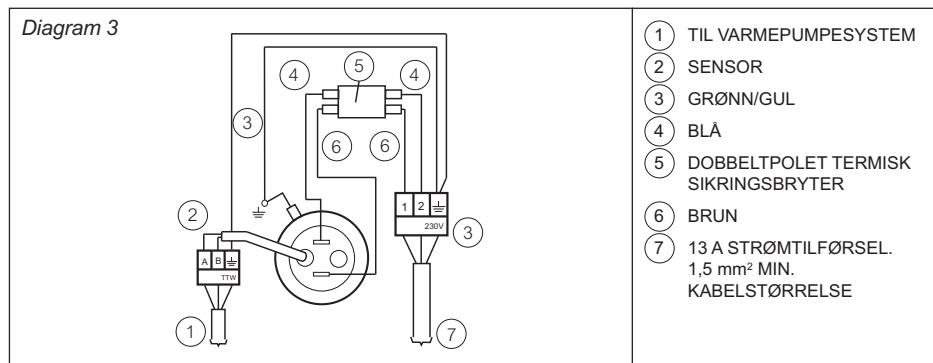


## 4.0 ELEKTRISKE KRAV

- 4.1 Enheten er utstyrt med en fabrikkmontert sylindervarmer komplett med varmesensor og overtemperaturutkobling. Sylindervarmer har en effekt på 2,75kW ved 230V ~.
- 4.2 Sylindervarmer er plassert bak det hvite terminaldekselet på forsiden av enheten. Dekselet er sikret av 2 skruer på hver side av dekslet og en gjenget hettemutter foran dekslet. **ISOLER STRØMTILFØRSELEN FØR DEKSELET TAS AV.**
- 4.3 Sylindervarmer **MÅ** jordes.
- 4.4 Alt elektrisk arbeid skal utføres av en kvalifisert elektriker og i overensstemmelse med de seneste nasjonale installasjonsforskriftene. Kretsen må beskyttes av en egnet skring og dobbeltpolet isolasjonsbryter med en kontaktavstand på minst 3 mm i begge poler.
- 4.5 Sylindervarmer bør tilkobles i henhold til diagram 3 og installasjonshåndboken for varmepumpen. Tilførselskabelen må gå via varmepumpens kontrollboks, direkte tilkobling til strømmettet vil gjøre garantien ugyldig og vil føre til en farlig installasjon. Tilførselskabelen må forlegges gjennom den vedlagte høyre kabelmuffen og den ytre kabelmantelen må festes godt ved å skru til skruene på kabelmuffen. Anbefalt kabeltype er 2,5mm<sup>2</sup> 3-kjernet varmemotstandig skjermet.
- 4.6 Varmesensoren bør kobles til varmepumpens kontrollboks i henhold til diagram 3 og installasjonshåndboken for varmepumpen. Kabelen til varmesensoren må forlegges gjennom den vedlagte venstre kabelmuffen og den ytre kabelmantelen må festes godt ved å skru til skruene på kabelmuffen. Sensorkabelen bør være 0,75mm<sup>2</sup> 2-kjerne + jordnet, med maksimal nominell strømstyrke på 100mA. Kabelen bør ikke være lenger enn 5meter.
- 4.7 Sett terminaldekselet på igjen før drift.
- 4.8 Enheten **MÅ IKKE** varmes opp før varmtvannsberederen har blitt fullstendig fylt med vann.

**NO**

- 4.9 Varmekontroll av vannsylinderen blir gjort av Hydro Unit kontrollene. Konferer med installasjonsmanualen for Luft- til vann-varmepumpen for innstilling av temperaturen på varmtvannbeholderen.
- 4.10 Strømtilførselen fra varmepumpen til sylindervarmer omfatter en termisk overtemperaturbryter som slår av sylindervarmer dersom varmekontrollen svikter. Den termiske sikringsbryteren **MÅ IKKE** under noen omstendigheter forbikobles.



## 5.0 IDRIFTSETTING

**ADVARSEL:** Vann som blir stående i en vannsylinder av rustfritt stål i lang tid uten avtapping vil bli de-oksygenert, noe som kan føre til korrosjon av kolbematerialet. Dersom installasjonen skal stå ubrukt etter installasjon og ferdigstilling, bør vannsylinder tømmes jevnlig (en gang i uken) og gjennomskylles med friskt vann.

Når enheten settes i drift bør fremgangsmåten for fylling og systemsjekk som er beskrevet nedenfor gjentas.

- 5.1 **IKKE** slå varmepumpen på før enheten har blitt fylt med vann og kontrollert for lekkasjer.
- 5.2 Kontroller at alle installasjonskrav, elektriske krav og krav til utløpsrør er imøtekommet.
- 5.3 Kontroller at alle vann- og strømtilkoblinger er korrekt foretatt og fastsittende.
- 5.4 Åpne en varmtvannskran koblet til enheten, åpne kaldtvannstilførselen til enheten.
- 5.5 La enheten bli fylt opp, og la varmtvannskranen renne en kort stund for å luften ut luft og skylle rørledningene. Steng varmtvannskranen.
- 5.6 Åpne de etterfølgende varmtvannskranene for å luften ut luft fra systemet.
- 5.7 Når alle varmtvannskranene er stengt, kontroller systemet for vannlekkasje, og fjern lekkasjene om nødvendig.
- 5.8 Foreta en manuell funksjonskontroll av trykkavlastningsventilen. Kontroller at vann strømmer fritt fra ventilen og gjennom utløpsrøret.
- 5.9 Fyll hovedkretsen ved å følge seksjonen "Vannrør" i installasjonsmanualen for Hydro Unit. Slipp ut innestengt luft ved å åpne utsugningsventilen eller den automatiske luftventilen.

**NO**

- 5.10 Slå strømtilførselen til varmepumpen på og sørg for at programmet er satt i **VARMTVANNSMODUS**. Kontroller at eventuelle motoriserte ventiler eller primærpumper fungerer, og la enheten varmes opp. Temperaturen på varmtvannet kan varieres ved å bruke fjernkontrollen til Hydro Unit. Les Brukermanualen for Luft- til vann-varmepumpen for detaljer.

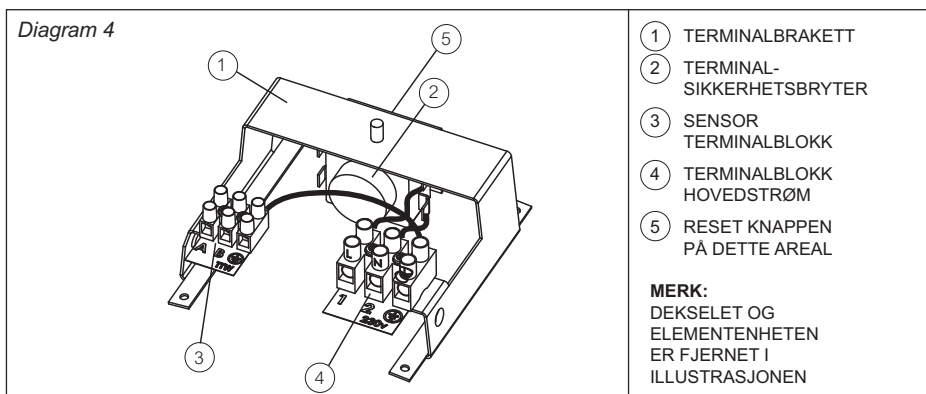
## 6.0 VEDLIKEHOLD – AVKALKE SYLINDERVARMER

---

- 6.1 Lite vedlikehold er påkrevet. I områder med hardt vann vil imidlertid enheten kreve periodisk avkalking for å sikre effektiv funksjon. For å avkalke enheten:
- 6.2 Slå av og frakoble strømtilførselen og slå av varmepumpen. Steng vanntilførselen til enheten.
- 6.3 Åpne en varmtvannskran tilkoblet enheten for å frigjøre eventuelt trykk i systemet. Tøm enheten ved å åpne tappeventilen i innløpsrøret.
- 6.4 Åpne terminaldekselet. Frakoble forbindelsesledningene som kobler den termiske skringsbryteren til sylindervarmer. Ta den termiske sensoren forsiktig ut av lommen på sylindervarmer ved å trekke den utover.
- 6.5 Ta sensorføleren på den termiske sikringsbryteren forsiktig ut av lommen på sylindervarmer ved å trekke den utover. Vær forsiktig slik at kapillærrøret ikke knekkes.
- 6.6 Ta av isolasjonsdekselet på elementhalen ved å trekke det av fra elementet.
- 6.7 Skru av kontramutteren på sylindervarmer. En skrunøkkel er vedlagt enheten for enkel fjerning/tilstramming av kontramutteren på sylindervarmer. Ta sylindervarmer av fra enheten. **MERK** Over tid kan pakningen på sylindervarmer bli sittende fast på berøringsflaten. For å løsne pakningen, stikk en rundfladet skrutrekker inn i en av lommene på sylindervarmer og lirk forsiktig opp og ned.
- 6.8 Fjern all rusk omhyggelig fra elementoverflaten. **IKKE BRUK** et skarpt redskap, det kan skade elementoverflaten.
- 6.9 Kontroller at forseglingsflatene er rene og at pakningen er uskadd. Bruk en ny pakning dersom du er i tvil.
- 6.10 Sørg for at bakenden av elementet er i **VERTIKALT** plan ved montering av berederen (se diagram 3). Monter igjen ved å remontere kontramutteren på sylindervarmer, og trekk til. Et nyttig tips kan være å støtte sylindervarmer ved å sette en rund skrutrekker inn i en av elementlommene mens kontramutteren trekkes til.
- 6.11 Sett isolasjonsdekselet på elementhalen på plass ved å skyve det forsiktig over elementhalene til det er i kant med forsiden på elementmonteringsplaten.
- 6.12 Monter det varmesikrende hårrøret inn i den **VENSTRE** lommen på berederen. Pass på at den er helt inne, og at kapillærrøret ikke er knekt. Pass på at kapillærrøret er plassert slik at det ikke kommer i kontakt med elementendene.
- 6.13 Sett den termiske sensoren i den **VENSTRE** lommen på berederen, bak varmesikringsbryteren. Pass på at den er helt inne, og at sikkerhetsstroppen er stukket inn i den åpne enden.

A black square containing the white text "NO".

- 6.14 Monter forbindelsesledningene til sylindervarmer igjen ved å stikke hannterminalene inn i hunnterminalene på elementhalene i henhold til diagram 3. Kontroller at ledninger er sikkert festet. Sett på terminaldekselet igjen og fest det.
- 6.15 **IKKE SLÅ PÅ VERKEN VARMEPUMPEN ELLER SYLINDERVARMER FØR ENHETEN ER FYLLET OPP IGJEN MED VANN.** Sett enheten i drift igjen i henhold til instruksjonene for installasjon og **IDRIFTSETTING**.



## 7.0 VEDLIKEHOLD – SIKKERHETSVENTILER

- 7.1 Trykkavlastningsventilen og eventuelle andre monterte sikkerhetsventiler bør funksjonskontrolleres med jevne mellomrom.
- 7.2 Betjen ventilen(e) manuelt og sørg for at vannet strømmer fritt fra ventilen og gjennom utløpsrøret. **MERK:** Vannet som renner ut kan være svært varmt. Kontroller at ventilene går korrekt tilbake i utgangsposisjon når de slippes.

## 8.0 BRUKERINSTRUKSJONER

- 8.1 Temperaturen på varmelageret ved systemvannsynderen til Luft- til vann-varmepumpen stilles i kontrollpanelet på Hydro Unit. Dette kan settes for temperaturer mellom 40°C og 75°C. Anbefalt temperatur er 60°C. Les installasjonsmanualen for Hydro Unit for detaljer om hvordan lagringstemperaturen stilles om dette skulle bli nødvendig.
- 8.2 For å unngå risikoen for frost ved lengre perioder uten bruk i vintermånedene, anbefales det at varmepumpens hovedtilførsel og sylindervarmer skrues av og at vannvarmeren tømmes. **MERK:** dette vil ikke beskytte andre deler av rørsystemet. Hvis dette gjøres må vannvarmeren gjennomgås på nytt før varmepumpen og sylindervarmer skrues på igjen Hvis ikke kan skade oppstå.
- 8.3 For å sikre at varmtvannsberederen fortsetter å fungere optimalt, bør den vedlikeholdes periodisk i henhold til instruksjonene i avsnittet **VEDLIKEHOLD**.
- 8.4 **VIKTIGE MERKNADER TIL BRUKEREN**
- Ikke blokker eller begrensn utløp fra noen av de monterte sikkerhetsventilene
  - Det må ikke tukles med noen av de monterte sikkerhetsventilene
  - Den termiske sikringsbryteren må ikke under noen omstendigheter forbikobles
  - Dersom man mistenker at det foreligger en feil, kontakt en kvalifisert tekniker for å kontrollere systemet

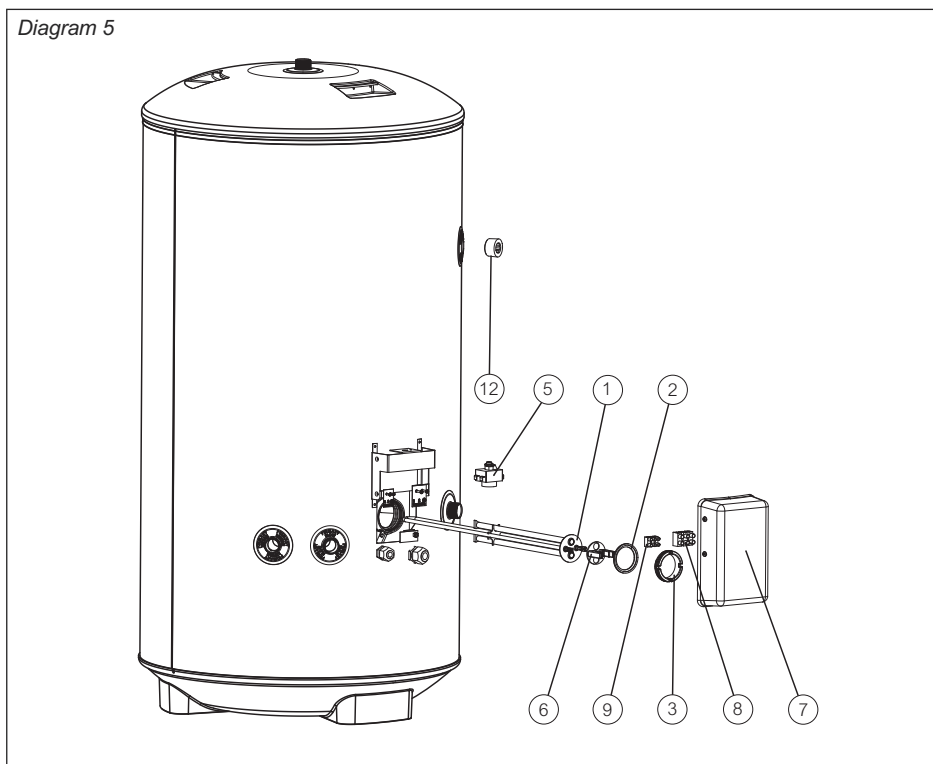
**NO**

## 9.0 REVERVEDELER

- 9.1 Reservedelene som er tilgjengelig for varmepumpe-vannsylinder er oppført i følgende liste. Se etiketten med tekniske data på enheten for å identifisere den installerte modellen og sørg for at det bestilles korrekte reservedeler.
- 9.2 **IKKE BRUK** deler som ikke er anbefalt av produsenten, det vil gjøre garantien ugyldig og kan føre til at installasjonen blir farlig.

9.3	<b>Beskrivelse</b>	<b>Delnr.</b>
	① Sylindervarmer .....	95:606:967
	② Sylindervarmerpakning .....	95:611:012
	③ Kontramuter til sylindervarmer.....	95:607:118
	Skrunøkkel for sylindervarmer .....	95:607:119
	⑤ Termisk skningsbryter (Sylindervarmer) .....	95:612:038
	⑥ Isolasjonsdeksel på elementhalen .....	95:607:115
	⑦ Terminaldeksel.....	95:614:109
	⑧ Terminalblokk (sylindervarmer-forbindelse) .....	95:607:113
	⑨ Terminalblokk (termisk sensor-forbindelse).....	95:607:114
	Termisk sensor .....	95:612:037
	Sett med kompresjonsmuttere og skjæreringer .....	95:607:116
	⑫ Koblingslugg for sekundær resirkulasjon .....	95:607:117
	Sikkerhetsgruppe .....	95:605:073

Diagram 5



**NO**

## 10.0 FEILSØKING

Noen vanlige feil, deres mulige årsaker og feilretting er oppført i tabellen nedenfor. Enhver service på varmtvannsberederen og varmepumpesystemet må utfres av en erfaren og kompetent installatør.

FEIL	MULIG ÅRSAK	FEILRETTING
Ingen varmtvannsstrøm	1. Hovedvannkranen er stengt	1. Kontroller hovedvannkranen og åpne den
	2. Hovedvannfilteret (hvis installert) er tett	2. Steng hovedvannkranen. Ta ut filteret og rengjør det i henhold til produsentens instruksjoner.
	3. Kontrollventilene for vanninntaket er feilaktig installert	3. Kontroller filteret og sett det inn igjen
Vannet fra varmtvannskranene er kaldt	1. Kontrolleren på varmepumpehydro Unit er satt til bare romoppvarming	1. Kontroller instillingen
	2. Varmepumpen fungerer ikke	2. Kontroller at varmepumpen fungerer. Se håndboken for varmepumpen dersom man har mistanke om at det foreligger en feil
	3. Feil på temperatursensoren i vannsylinder	3. Foreta funksjonskontroll av sensoren Bytt om nødvendig
Vannet fra varmtvannskranene er bare varmt	1. Den termiske sikringsbryteren for sylindervarmer er utløst	1. Kontroller. Tilbakestill ved å trykke på knappen på sikringsbryteren
	2. Feil på temperatursensoren i vannsylinder	2. Foreta funksjonskontroll av sensoren Bytt om nødvendig
Vannet fra varmtvannskranene er for varmt	1. Vanntemperaturen på vannsylinder er innstilt for høyt	1. Kontroller og juster etter behov
	2. Feil på temperatursensoren i vannsylinder	2. Foreta funksjonskontroll av sensoren Bytt om nødvendig
Det renner vann fra trykkavlastningsventilen kontinuerlig	1. Trykket i hovedvannledningen er for høyt	1. Se avsnittet Viktige installasjonsopplysninger for korrekt trykk. Installer en trykkreduksjonsventil på vanntilførselsinngangen om nødvendig
	2. Ventilfestet på trykkavlastningsventilen er skadet	2. Demonter og bytt

**NO**

## 11.0 GARANTI

---

For garantiopplysninger, vennligst kontakt din ESTIA varmpumpeforhandler.

- 11.1 Enheten er installert i henhold til disse instruksjonene, og alle nødvendige inntakskontroller og sikkerhetsventiler er montert korrekt.
- 11.2 Alle ventiler og kontroller er av en type som er anbefalt av produsenten.
- 11.3 Det er ikke blitt tuklet med enheten, og den har fått jevnlig vedlikehold i henhold til disse instruksjonene.
- 11.4 Enheten er bare blitt brukt til oppvarming av vann fra drikkevannsledningen (maks. 250mg/l klorid).
- 11.5 Enheten har ikke blitt utsat for høye klornivåer i vanntilførselen eller ukorrekte desinfiseringsmetoder.
- 11.6 Etter ferdigstilling bør enheten tas i bruk i løpet av en periode på 7 dager. I motsatt fall må den enten tømmes eller skylles jevnlig som beskrevet i avsnittet "Idriftsetting – Advarsel".
- 11.7 Garantien gjelder ikke mot frost eller kalavleiringer.
- 11.8 Denne garantien påvirker ikke kundens lovfestede rettigheter.

Denne garantien **DEKKER IKKE** utendørsenheten for ESTIA luft-til-vann varmpumpe eller ESTIA Hydro Unit.

## 12.0 MILJØINFORMASJON

---

- 12.1 Dette produktet er laget av mange gjenvinningsbare materialer. Av miljøhensyn bør produktet leveres til et lokalt autorisert gjenvinningsanlegg for gjenvinning.
- 12.2 Isolasjonsmaterialet er CFC/HCFC-fritt ekspandert polyuretanskum som ikke utgjør noen fare for ozonlaget.

**Av hensyn til produktutviklingen forbeholder vi oss retten til å endre produktsesifikasjonene uten varsel. Vi bestreber oss imidlertid på å sørge for at all informasjon i denne brosjyren er presis på utgivelsesdatoen.**

## VIKTIG INFORMASJON OG ADVARSEL

**LES DETTE FØR ENHETEN INSTALLERES. OPPBEVAR PÅ ET TRYGT STED. INFORMASJONEN I DISSE MERKNADENE TRENGS VED AVHENDING ETTER ENDT LEVETID OG VED GJENBRUK AV ENHETEN.**

- Vi er svært opptatt av miljøet og ønsker direktiv 2002/96/EC WEEE (om avfall fra elektrisk og elektronisk utstyr) velkommen.
- Dette produktet oppfyller kravene til EU-direktiv 2002/96/EC. Produktet må kildesorteres separat etter endt bruk, og må ikke håndteres som usortert husholdningsavfall.
- Hensikten med EU-direktiv 2002/96/EC er å håndtere den raskt økende mengden av elektrisk og elektronisk utstyrsavfall, øke resirkulering av elektrisk og elektronisk utstyr ("EEE") og begrense den totale mengden vraket EEE ("WEEE").
- Sjøppelkasse-symbolet med kryss over, festet på produktet, indikerer at dette produktet kan falle inn under direktivet.
- Brukeren er ansvarlig for å innlevere produktet til et egnet innsamlingsanlegg, anvist av kommunen eller distributøren. Ved installering av et nytt produkt er det mulig at distributøren kan hente det gamle WEEE-produktet direkte.
- Produsenten, importøren og distributøren er ansvarlige for innsamling og håndtering av gamle WEEE-produkter, enten direkte eller gjennom et fellessystem. Distributøren i ditt land vises nedenfor.
- Ved brudd på direktivet utøves straffetiltak i hvert enkelt land.
- Vi følger generelt CECEDs tolkning, som anser at WEEE-direktivet gjelder for transportable enheter, avfuktingsapparater, vindusmonterte luft-til-vann-varmepumper, Split-systemer opptil 12 kW, kjøleskap og fryserer med støpsel.
- Det kan imidlertid være ulikheter i de forskjellige medlemslandenes lovgivning. I tilfelle der nasjonale lover utelukker enkelte produkter fra WEEE-direktivet, må disse lovene følges. I land der disse produktene ikke dekkes av WEEE-direktivet, er det ikke nødvendig å etterleve WEEE-kravene.
- WEEE-direktivet gjelder ikke for produkter som selges utenfor EU. I slike tilfeller er det ikke nødvendig å følge WEEE-kravene, men alle lokale forskrifter må følges.
- For ytterligere informasjon ber vi deg kontakte kommunen, butikken/forhandleren/distributøren/installatøren som har solgt produktet, eller produsenten.

**NO**





## SYSTEM TEPELNÉHO ČERPADLA VZDUCH-VODA

# TLAKOVÁ NÁDOBA NA HORÚCU VODU SPÔSOB NEPRIAMEHO OHRIEVANIA UZAVRETÝ VÝSTUP (BEZ VETRANIA)

## NÁVOD NA INŠTALÁCIU A OBSLUHU

### DÔLEŽITÉ UPOZORNENIE

PRED INŠTALÁCIOU TEJTO TLAKOVEJ NÁDOBY NA VODU JE POTREBNÉ POZORNE SI PREČITAŤ A POROZUMIEŤ TÝMTO POKYONOM. NESPRÁVNA INŠTALÁCIA MÔŽE SPÔSOBIŤ NEPLATNOSŤ ZÁRUKY. INŠTALÁCIU TLAKOVEJ NÁDOBY NA VODU MÔŽE VYKONAŤ LEN KVALIFIKOVANÝ INŠTALATÉR V SÚLADE S MIESTNYMI INŠTALAČNÝMI, STAVEBNÝMI A ELEKTROINŠTALAČNÝMI PREDPISMI. TENTO NÁVOD NA INŠTALÁCIU A OBSLUHU ULOŽTE V BLÍZKOSTI ZARIADENIA, ABY SA DAL POUŽIŤ V BUDÚCNOSTI.

### TECHNICKÉ ÚDAJE

Menovitý tlak	1,0 MPa (10 bar)
Skúšobný tlak (hydraulický)	1,5 MPa (15 bar)
Minimálny odporúčaný prívodný tlak	0,1 MPa (1 bar)
Maximálny prevádzkový tlak v primárnom okruhu	0,35 MPa (3,5 bar)
Elektrická výkonnostná trieda (ponorný ohrievač)	2,75kW @ 230V~
Hmotnosť (úplná)	150 litrov, nepriama 181 kg
	210 litrov, nepriama 251 kg
	300 litrov, nepriama 360 kg

### DODANÉ KOMPONENTY

- Tlaková nádobna na vodu so zabudovaným elektrickým ohrievačom a prvkami na reguláciu teploty.
- Bezpečnostná skupina so zabudovaným bezpečnostným tlakovým ventilom, spätným ventilom a zatváracím ventilom.
- Armatúry (tvarovky).
- Kľúč na matice pre ohrievač tlakovej nádoby.

SK

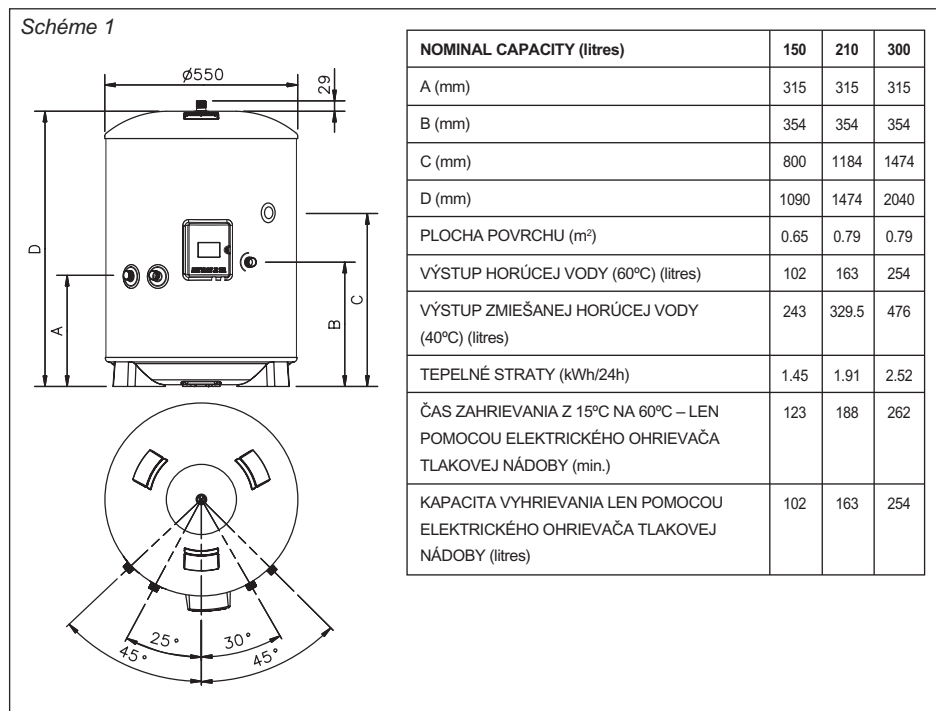
## 1.0 DÔLEŽITÉ INŠTALAČNÉ BODY

- 1.1 Toto zariadenie, ktoré sa používa v systéme tepelného čerpadla ESTIA vzduch/voda, je účelovo skonštruovaná tlaková nádoba na vodu bez odvzdušnenia.
- 1.2 Na tlakovej nádobe musí byť namontovaný bezpečnostný tlakový ventil, ktorý vyhovuje vašim miestnym inštalatérskym a stavebným predpisom.  
**NENAINŠTALOVANIE PRIMERANÉHO TLAKOVÉHO POISTNÉHO VENTILU VEDIE K NEPLATNOSTI ZÁRUKY A NEBEZPEČNEJ INŠTALÁCII.**
- 1.3 Ak je vstupný tlak vyšší ako 0.6 MPa (6 bar), na prívodné potrubie do ohrievača sa musí nainštalovať redukčný ventil (nastavený na maximálnu hodnotu 0.5 MPa (5 bar)). Tento ventil sa **NESMIE** inštalovať medzi bezpečnostný tlakový ventil a tlakovú nádobu na vodu.
- 1.4 Na prívodné potrubie do tlakovej nádoby na vodu sa musí namontovať uzatvárací (jednosmerný) ventil. Tento ventil sa **NESMIE** inštalovať medzi bezpečnostný tlakový ventil a tlakovú nádobu na vodu.
- 1.5 Toto zariadenie nesmú používať osoby (vrátane detí) so zníženými fyzickými, zmyslovými a duševnými schopnosťami alebo osoby, ktoré nemajú s týmto zariadením skúsenosti alebo vedomosti, bez dozoru alebo poučenia o jeho používaní osobou, ktorá zodpovedá za ich bezpečnosť. Deti musia byť pod dozorom, aby sa zabezpečilo, že s týmto zariadením sa nebudú hrať.

## 2.0 INŠTALÁCIA – VŠEOBECNÉ POŽIADAVKY

- 2.1 Národné predpisy o elektrickej inštalácii môžu zahrňovať obmedzenia týkajúce sa inštalácie týchto zariadení v určitých miestach, ako sú napr., kúpeľne.
- 2.2 Toto zariadenie sa **MUSÍ** nainštalovať vo zvislej polohe.
- 2.3 Zariadenie musí byť umiestnené na rovnom povrchu.
- 2.4 Okolo zariadenia sa musí ponechať dostatočný priestor na pripojenie rúrok a na prístup k ovládacím prvkom a k namontovaným bezpečnostným ventilom. Pri určovaní vhodnej polohy pre ohrievač si pozrite schému č. 2 a tabuľku s rozmermi.
- 2.5 **POZNÁMKA:** Podlaha musí byť dostatočne pevná, aby uniesla úplnú hmotnosť zariadenia (pozrite si časť **TECHNICKÉ ÚDAJE**).
- 2.6 Zariadenie sa **NESMIE** inštalovať na mieste, kde by mohlo zamrznúť.
- 2.7 Napojené vodovodné potrubie privádza do tohto zariadenia súčasne teplú aj studenú vodu. Odporúča sa odhadnúť maximálnu spotrebu vody a skontrolovať prívod vody, či spĺňa túto požiadavku. **POZNÁMKA:** Vysoký tlak vo vodovodnom potrubí nemusí vždy zaručovať vysokú prietokovú rýchlosť. Aby sa splnili minimálne požiadavky na prívod vody, odporúčame nastaviť tlak 0,1 MPa a prietokovú rýchlosť 20 l/min. Tieto hodnoty prietokových rýchlostí však nemusia byť na odtoku postačujúce, ak sa súčasne používa viac odtokov. Vyšší tlak a prietoková rýchlosť zabezpečujú lepší výkon systému.
- 2.8 **OBMEDZENIA:** Tlaková nádoba na vodu sa nesmie používať v žiadnej z nasledujúcich situácií:
  - Situácie, v ktorých je pravdepodobné zanedbanie údržby alebo manipulácia s bezpečnostnými zariadeniami.
  - Nedostatočný tlak prívodu vody alebo miesto s možnosťou prerušovania prívodu vody.

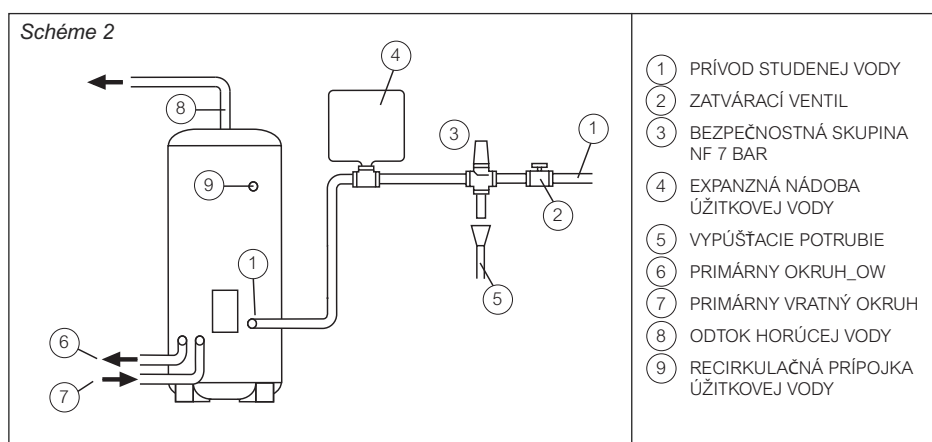
- Situácie, v ktorých sa odtok z bezpečnostných ventilov nedá bezpečne odvieť mimo zariadenie.
- Miesta, kde prívod vody trvalo obsahuje vysoký podiel tuhých látok alebo suspendovaných látok, pokiaľ sa na prívodné potrubie nenainštaluje primeraný filter.



### 3.0 INŠTALÁCIA – VODOVODNÉ ARMATÚRY

- 3.1 Pozrite si časť **DÔLEŽITÉ INŠTALAČNÉ BODY**. Ventily nainštaluje do zvislej polohy za sebou podľa schémy č. 1. Ventily musia byť nainštalované v správnom smere, ktorý je vyznačený šípkami smeru toku. Na tlakovej nádobe musí byť namontovaný bezpečnostný tlakový ventil, ktorý vyhovuje vašim miestnym inštalatérskym a stavebným predpisom (dodaná bezpečnostná skupina). **NENAINŠTALOVANIE PRIMERANÉHO TLAKOVÉHO POISTNÉHO VENTILU VEDIE K NEPLATNOSTI ZÁRUKY A NEBEZPEČNEJ INŠTALÁCII.** Každá odpadová trubka, ktorá je napojená do zariadenia na znižovanie tlaku, musí byť v prostredí chránenom proti zamrznutiu trvalo namontovaná v smere dolu.
- 3.2 Vodovodné prípojky na zariadení sa môžu priamo pripojiť na potrubie s vonkajším priemerom 22 mm; pre tento účel sú dodané príslušné armatúry (tvarovky). Na spojkách je závit G3/4, ktorý v prípade potreby umožňuje použitie zásuvných spojok so závitom G3/4. **NEPOUŽÍVAJTE** pozinkované rúrky. Keď sa používajú oceľové rúrky, musia sa nevodivými spojkami oddeliť od nádoby s nerezovými rúrkami.
- 3.3 **PRÍVOD** úžitkovej vody je označený **MODROU FARBOU** a **ODTOK** je označený **ČERVENOU FARBOU**. Môže sa napojiť niekoľko odtokov teplej vody. Pri výbere kapacity a počtu napojených odtokov sa však musia zväžiť odbery na konkrétnom mieste.
- 3.4 Na prívod studenej vody do ohrievača sa odporúča namontovať zatvárací ventil.
- 3.5 Pod ohrievač sa musí na prívodné potrubie namontovať vypúšťací kohút. Tento kohút musí byť nainštalovaný medzi tlakovou nádobou a spätným ventilom.

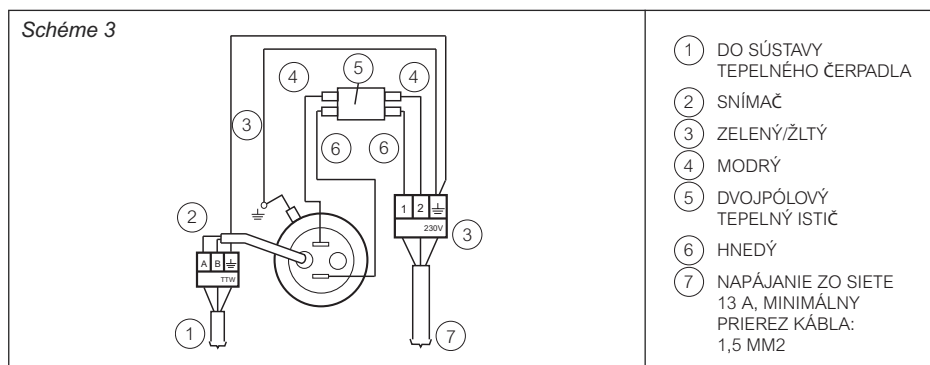
- 3.6 Na prívod studenej vody sa môže nainštalovať expanzná nádoba pre okruh úžitkovej vody, ako je znázornené na schéme č. 2, aby sa zabránilo zbytočným stratám expandovanej vody. Odporúčajú sa nasledovné objemy:
- |       |             |
|-------|-------------|
| 150 l | nádoba 12 l |
| 210 l | nádoba 18 l |
| 300 l | nádoba 24 l |
- 3.7 Do okruhu úžitkovej vody sa môže nainštalovať recirkulačný okruh. Pre vratné potrubie recirkulačného okruhu je dodaná spojka (vnútorný závit G3/4).
- 3.8 Primárny vykurovací okruh sa **MUSÍ** napojiť pomocou zariadenia Hydro Unit. Podrobný popis nájdete v návode na inštaláciu, ktorý je dodaný spolu so zariadením Hydro Unit.



## 4.0 POŽIADAVKY NA ELEKTRICKÚ INŠTALÁCIU

- 4.1 Toto zariadenie sa z výroby dodáva s ohrievačom nainštalovaným na tlakovej nádobe, snímačom tepla a tepelným ističom proti prehriatiu. Ohrievač tlakovej nádoby má výkon 2,75 kW pri 230 V ~ .
- 4.2 Ohrievač tlakovej nádoby je umiestnený za bielym tepelným krytom v prednej časti zariadenia. Tento kryt je upevnený pomocou dvoch skrutiek na každej strane a vypuklou maticou na prednej strane krytu. **PRED ODMONTOVANÍM KRYTU SA ZARIADENIE MUSÍ ODPOJIŤ OD ZDROJA ELEKTRICKÉHO NAPÁJANIA.**
- 4.3 Ohrievač tlakovej nádoby **MUSÍ** byť uzemnený.
- 4.4 Elektrickú inštaláciu môže vykonať len kvalifikovaný elektrikár a musí byť v súlade s najnovším vydaním národných predpisov týkajúcich sa elektrickej inštalácie. Okruh musí byť zabezpečený vhodnou poistkou a dvojpólovým vypínačom s medzerou medzi kontaktmi minimálne 3 mm na oboch pólloch.
- 4.5 Ohrievač tlakovej nádoby sa musí zapojiť v podľa schémy č. 3a návodu na inštaláciu tepelného čerpadla vzduch-voda. Prívodný kábel sa musí zapojiť cez zariadenie Hydro. Priame zapojenie do hlavného prívodu elektriny vedie k neplatnosti záruky a nebezpečnej inštalácii. Prívodný kábel sa musí viesť cez dodanú káblovú upchávku na pravej strane a vonkajší obal kábla musí byť pevne zaistený utiahnutou skrutkou na upchávke. Odporúča sa použiť trojžilový kábel prierezu 2,5 mm<sup>2</sup> s ochranným puzdrom odolným voči teplu.

- 4.6 Na zariadenie Hydro sa musí zapojiť tepelný snímač podľa schémy č. 3 a návodu na inštaláciu tepelného čerpadla vzduch-voda. Kábel, ktorý vedie k tomuto snímaču tepla, sa musí viesť cez dodanú káblovú upchávku na ľavej strane a vonkajší obal kábla musí byť pevne zaistený utiahnutou skrutkou na upchávke. Na zapojenie snímača tepla sa odporúča dvojžilový kábel s prierezom 0,75 mm<sup>2</sup> s ochranným puzdrom (uzemnenie) pre maximálny menovitý prúd 100 mA. Tento kábel nesmie byť dlhší ako 5 metrov.
- 4.7 Pred prevádzkou založte kryt svorkovnice.
- 4.8 Zariadenie sa **NESMIE** zahrievať, kým nebude tlaková nádoba na vodu úplne naplnená vodou.
- 4.9 Teplota vody v tlakovej nádobe sa reguluje pomocou ovládacích prvkov na zariadení Hydro Unit. Postup nastavovania skladovacej teploty vody nájdete v návode na inštaláciu tepelného čerpadla vzduch-voda.
- 4.10 V prívode elektrického napájania zo zariadenia Hydro Unit do ohrievača tlakovej nádoby je zabudovaný tepelný istič proti prehriatiu, ktorý v prípade poruchy tepelnej regulácie vypne ohrievač tlakovej nádoby. Tepelný istič sa v žiadnom prípade **NESMIE** obchádzať.



## 5.0 UVEDENIE DO PREVÁDZKY

**VAROVANIE:** Ak v ohrievači vody z nerezovej ocele dlhodobo zostáva voda bez vypustenia, voda bude odkysličená a môže spôsobiť koróziu materiálu nádoby. Z ohrievača vody sa musí pravidelne (raz za týždeň) alebo vždy, keď sa zariadenie nebude po nainštalovaní a uvedení do prevádzky používať, úplne vypustiť voda a ohrievač sa musí dôkladne prepláchnuť čerstvou vodovodnou vodou.

Pri uvádzaní zariadenia do prevádzky sa musí dodržiavať nižšie uvedený postup naplňovania zariadenia a kontroly systému.

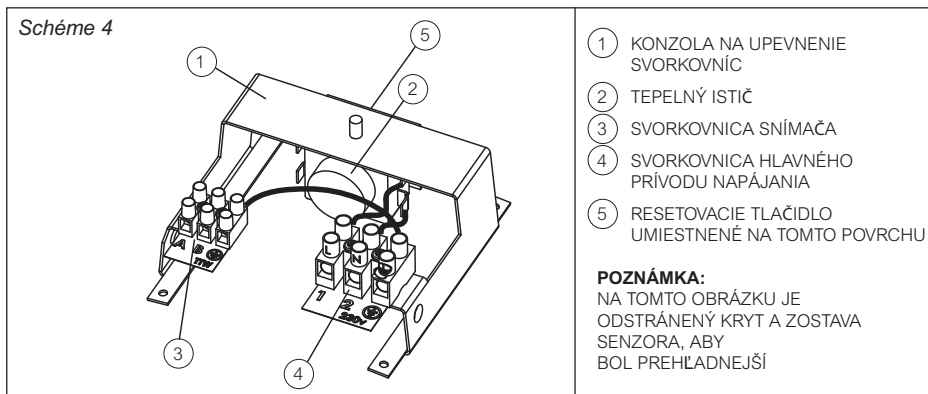
- 5.1 Tepelné čerpadlo vzduch-voda **NEZAPÍNAJTE**, kým sa tlaková nádoba na vodu nenaplní vodou a neskontrolujú sa netesnosti.
- 5.2 Skontrolujte, či sú splnené všetky požiadavky na inštaláciu, elektrické zapojenie a odtokové potrubie.
- 5.3 Skontrolujte, či sú všetky vodovodné a elektrické spojky správne nainštalované a utiahnuté.
- 5.4 Otvorte kohút dodávky teplej vody z tlakovej nádoby a otvorte prívod studenej vody do zariadenia.

- 5.5 Počkajte, kým sa zariadenie naplní vodou, a kohút na teplú vodu ponechajte otvorený na krátku dobu, aby sa vytlačil všetok vzduch a aby sa prepláchno potrubie. Zatvorte kohút na teplú vodu.
- 5.6 Postupne otvárajte kohúty na teplú vodu, aby sa zo systému vytlačil všetok vzduch.
- 5.7 Keď sú zatvorené všetky kohúty na teplú vodu, skontrolujte netesnosti systému a v prípade potreby závady odstráňte.
- 5.8 Činnosť bezpečnostného tlakového ventilu odskúšajte manuálne. Voda musí z ventilu a cez vypúšťacie potrubie voľne odtekať.
- 5.9 Primárny okruh naplňte vodou podľa časti „Vodovodné potrubie“ v návode na inštaláciu zariadenia Hydro Unit. Otvorením odvzdušňovacieho otvoru alebo automatickým odvzdušňovaním vypustíte všetok zachytený vzduch.
- 5.10 Zapnite prívod elektrického prúdu do tepelného čerpadla vzduch-voda a programátor nastavte do režimu **TEPLÁ VODA**. Skontrolujte, či správne fungujú všetky elektromagnetické ventily alebo primárne čerpadlá a počkajte, kým sa zariadenie zahreje. Pomocou diaľkového ovládača zariadenia Hydro unit sa môže meniť teplota teplej vody. Podrobnosti nájdete v príručke pre majiteľa vodného tepelného čerpadla.

## 6.0 ÚDRŽBA – ODSTRAŇOVANIE VODNÉHO KAMEŇA Z OHRIEVAČA

- 6.1 Toto zariadenie si vyžaduje len malú údržbu, avšak v oblastiach s tvrdou vodou sa z neho musí pravidelne odstraňovať vodný kameň, aby sa zabezpečila účinná prevádzka. Postup pri odstraňovaní vodného kameňa:
- 6.2 Vypnite a odpojte prívod elektrického prúdu a zastavte tepelné čerpadlo vzduch-voda. Zatvorte prívod vody do zariadenia.
- 6.3 Otvorte kohút na prívode teplej vody do zariadenia, aby sa zo systému uvoľnil tlak. Vypustíte zariadenie otvorením vypúšťacieho ventilu na prívodnom vodovodnom potrubí.
- 6.4 Odmontujte kryt svorkovnice. Odpojte káble, ktorými je tepelný istič pripojený k ohrievaču tlakovej nádoby. Z priehradky na ohrievači tlakovej nádoby opatrne vyberte tepelný snímač tak, že ho potiahnete smerom von.
- 6.5 Z priehradky na ohrievači tlakovej nádoby opatrne vyberte snímací senzor tepelného ističa tak, že ho potiahnete smerom von. Kapilárna rúrka sa nesmie skrúcať.
- 6.6 Vyberte izolačné puzdro konca senzora tak, že ho potiahnete smerom od senzora.
- 6.7 Odskrutkujte poistnú maticu ohrievača tlakovej nádoby. Spolu s týmto zariadením sa dodáva aj kľúč na matice na ľahké odskrutkovanie a dotiahnutie poistnej matice ohrievača tlakovej nádoby. Zo zariadenia odmontujte ohrievač tlakovej nádoby. **POZNÁMKA:** Tesnenie ohrievača tlakovej nádoby sa môže časom prilepiť k opačnej dosadacej ploche. Toto tesnenie môžete uvoľniť tak, že do jednej z priehradiek na ohrievači tlakovej nádoby vsuniete skrutkovač so zaobleným hrotom a jemným pohybom hore a dolu tesnenie uvoľníte.
- 6.8 Z povrchu senzora opatrne odstráňte všetok vodný kameň. **NEPOUŽÍVAJTE** ostré predmety, aby sa nepoškodil povrch senzora.

- 6.9 Tesniace plochy musia byť čisté a tesnenia nesmú byť poškodené. V prípade pochybností použite nové tesnenie.
- 6.10 Ohrievač znovu založte na tlakovú nádobu tak, aby konce senzora boli vo **VERTIKÁLNEJ** polohe (viď schéma č.3). Ohrievač zaistíte na tlakovej nádobe utiahnutím poistnej matice. Počas uťahovania poistnej matice môže byť vhodné podoprieť ohrievač tlakovej nádoby pomocou skrutkovača so zaobleným hrotom zasunutým do jednej z priehradiek senzora.
- 6.11 Založte izolačné puzdro senzora. Puzdro opatrne zatláčajte ponad konce senzora, kým nebude zapustené v prednej časti montážnej podložky senzora.
- 6.12 **V ĽAVEJ** priehradke ohrievača tlakovej nádoby vymeňte kapilárnu rúrku tepelnej poistky. Táto kapilárna rúrka musí byť úplne zasunutá a nesmie byť skrútená. Kapilárna rúrka musí byť nasmerovaná tak, aby sa nedotýkala koncov čidla.
- 6.13 Tepelný snímač vložte do **ĽAVEJ** priehradky ohrievača tlakovej nádoby za tepelnou poistkou. Tepelný snímač musí byť úplne zasunutý a do otvoreného konca priehradky sa musí zasunúť poistný krúžok.
- 6.14 Znovu zapojte káble ohrievača tlakovej nádoby. Zástrčky zasunúť do zásuviek na koncoch senzora podľa schémy č. 3. Skontrolujte, či sú všetky koncovky utiahnuté a zaistené. Znovu založte a zaistíte kryt svorkovnice.
- 6.15 **TEPELNÉ ČERPADLO VZDUCH-VODA ANI OHRIEVAČ TLAKOVEJ NÁDOBY NEZAPÍNAJTE, KÝM SA DO ZARIADENIA NENAPUSTÍ VODA.** Zariadenie znovu uvedte do prevádzky podľa návodu na inštaláciu a časti **UVEDENIE DO PREVÁDZKY.**



## 7.0 ÚDRŽBA – POISTNÉ VENTILY

- 7.1 Správna činnosť bezpečnostných tlakových ventilov a všetkých ostatných poistných ventilov sa musí pravidelne kontrolovať.
- 7.2 Ventily manuálne otvorte a zatvorte a skontrolujte, či z ventilu a cez vypúšťacie potrubie voľne vyteká voda. **POZNÁMKA:** Vypúšťaná voda môže byť veľmi horúca. Keď je voda vypustená, ventil musí znovu správne dosadať.

## 8.0 POKYNY PRE POUŽÍVATEĽA

- 8.1 Skladovacia teplota vody v tlakovej nádobe na vodu v systéme tepelného čerpadla vzduch-voda sa nastavuje na ovládacom paneli zariadenia Hydro Unit. Táto teplota sa môže nastaviť v rozsahu 40°C až 75°C, odporúča sa teplota 60°C. V prípade potreby si podrobne o spôsobe nastavenia skladovacej teploty pozrite v návode na inštaláciu zariadenia Hydro Unit.
- 8.2 Aby sa zabránilo zamrznutiu vody, keď sa tlaková nádoba dlhodobo nepoužíva počas zimných mesiacov, odporúča sa odpojiť primárny okruh tepelného čerpadla vzduch-voda a ohrievač tlakovej nádoby a vodu z tlakovej nádoby vypustiť. **POZNÁMKA:** Toto opatrenie nestačí na ochranu ostatných častí potrubia. Po takomto vypustení sa tlaková nádoba na vodu musí pred zapojením tepelného čerpadla vzduch-voda a ohrievača tlakovej nádoby úplne uviesť do prevádzky, aby nedošlo k ich poškodeniu.
- 8.3 Na zabezpečenie trvalého optimálneho výkonu tlakovej nádoby sa musí pravidelne vykonávať jeho údržba podľa pokynov, ktoré sú uvedené v časti **ÚDRŽBA**.
- 8.4 **DÔLEŽITÉ UPOZORNENIA POUŽÍVATEĽA**
  - Vypúšťací odtok všetkých nainštalovaných poistných ventilov sa nesmie blokovat' ani obmedzovať.
  - Nemanipulujte so žiadnym namontovaným poistným ventilom.
  - Tepelný istič sa v žiadnom prípade nesmie obchádzať.
  - V prípade poruchy požiadajte kvalifikovaného technika, aby vykonal kontrolu systému.

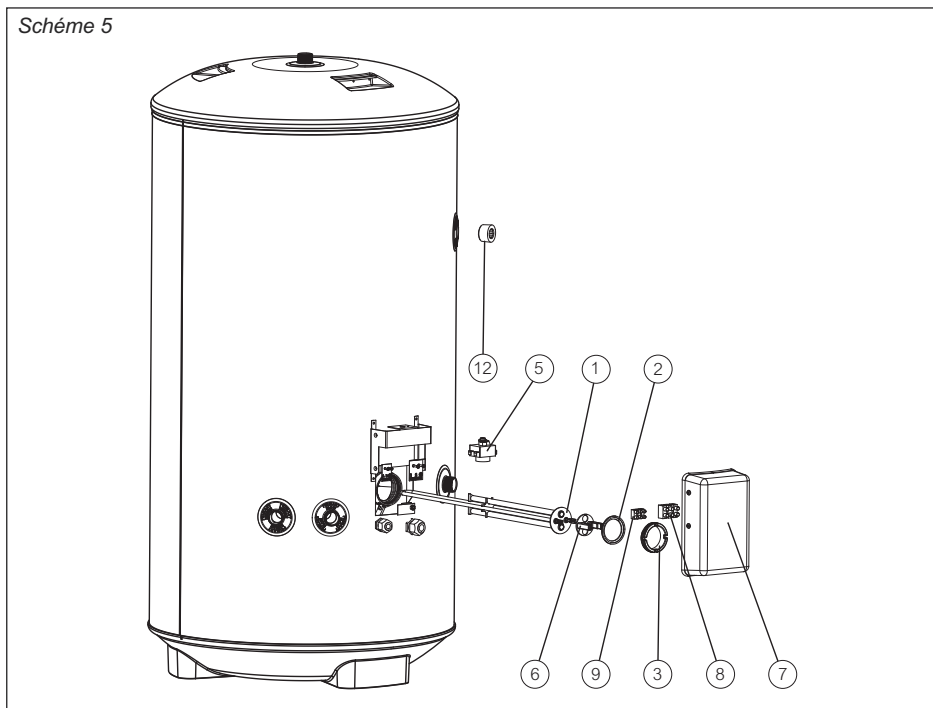


## 9.0 NÁHRADNÉ DIELY

- 9.1 Pre tlakovú nádobu na horúcu vodu je k dispozícii nasledovný zoznam náhradných dielov. Aby sa objednali správne náhradné diely, pozrite si informáciu o modeli nainštalovaného zariadenia na štítku s technickými údajmi.
- 9.2 **NEPOUŽÍVAJTE** náhradné diely, ktoré neodporúča výrobca: Mohlo by to viesť k zrušeniu záruky a zariadenie by mohlo byť nebezpečné.

9.3	Popis	Číslo dielu
	① Ohrievač tlakovej nádoby .....	95:606:967
	② Tesnenie ohrievača tlakovej nádoby .....	95:611:012
	③ Poistná matica ohrievača tlakovej nádoby .....	95:607:118
	Kľúč na matice pre ohrievač tlakovej nádoby.....	95:607:119
	⑤ Tepelný istič (ohrievač tlakovej nádoby).....	95:612:038
	⑥ Izolačné puzdro konca senzora.....	95:607:115
	⑦ Kryt svorkovnice .....	95:614:109
	⑧ Svorkovnica (pripojenie ohrievača tlakovej nádoby).....	95:607:113
	⑨ Svorkovnica (pripojenie tepelného snímača) .....	95:607:114
	Tepelný snímač.....	95:612:037
	Sada armatúr (tvarovky) .....	95:607:116
	⑫ Sekundárna recirkulačná prípojka.....	95:607:117
	Bezpečnostná skupina .....	95:605:073

Schéma 5



## 10.0 ODSTRAŇOVANIE PROBLÉMOV

V nasledujúcej tabuľke sú uvedené niektoré bežné závady, ich možné príčiny a spôsob odstránenia. Servis systému tepelného čerpadla vzduch-voda a tlakovej nádoby na vodu môže vykonávať len zaškolený kvalifikovaný inštalatér

ZÁVADA	MOŽNÁ PRÍČINA	OPRAVA
<b>Netečie teplá voda</b>	1. Zatvorený vodovodný kohút	1. Skontrolujte a otvorte vodovodný kohút
	2. Zablokovaný filter (ak je namontovaný) na vodovodnom potrubí	2. Zatvorte prívod vody. Vyberte filter a vyčistite podľa návodu od výrobcu
	3. Nesprávne namontované regulačné ventily na prívodnom potrubí	3. Skontrolujte a podľa potreby znovu namontujte
<b>Z vodovodných batérií tečie studená voda</b>	1. Regulátor na zariadení Hydro Unit je nastavený len na priestorové vyhrievanie	1. Skontrolujte nastavenie
	2. Nefunkčné tepelné čerpadlo	2. Skontrolujte činnosť tepelného čerpadla. Ak sa vyskytne porucha, pozrite si návod na obsluhu tepelného čerpadla
	3. Vadný tepelný snímač na ohrievači vody	3. Skontrolujte funkčnosť snímača. V prípade potreby snímač vymeňte
<b>Z vodovodných batérií tečie len teplá voda</b>	1. Zapnutý je samočinný tepelný vypínač ponorného ohrievača	1. Vykonajte kontrolu. Resetujte tlačidlom na istíči
	2. Vadný tepelný snímač na ohrievači vody	2. Skontrolujte funkčnosť snímača. V prípade potreby snímač vymeňte
<b>Z vodovodných batérií tečie príliš horúca voda</b>	1. Na zariadení Hydro Unit je nastavená príliš vysoká skladovacia teplota vody	1. Skontrolujte a podľa potreby znovu nastavte
	2. Vadný tepelný snímač na ohrievači vody	2. Skontrolujte funkčnosť snímača. V prípade potreby snímač vymeňte
<b>Z bezpečnostného tlakového ventilu stále vyteká voda</b>	1. Príliš vysoký tlak vo vodovodnom potrubí	1. Správny tlak zistíte v časti Dôležité inštaláčne body. V prípade potreby na prívodné vodovodné potrubie nainštalujte redukčný ventil
	2. Poškodené sedlo bezpečnostného tlakového ventilu	2. Odmontujte a vymeňte

## 11.0 ZÁRUKA

---

Podrobnosti o záruke si prosím vyžiadať od svojho dodávateľa tepelného čerpadla ESTIA.

- 11.1 Zariadenie musí byť nainštalované v súlade s týmto návodom a všetky potrebné regulačné prvky a poistné ventily musia byť správne namontované na prívodnom potrubí.
- 11.2 Musia sa nainštalovať výrobcom odporúčané typy všetkých ventilov a regulačných prvkov.
- 11.3 So zariadením sa nesmie manipulovať a musí sa pravidelne vykonávať jeho údržba podľa týchto pokynov.
- 11.4 Zariadenie sa môže používať len na ohrievanie pitnej vody (obsah chlóru maximálne 250 mg/l).
- 11.5 Voda, ktorá sa privádza do zariadenia, nesmie mať vysoký obsah chlóru a nesmie byť dezinfikovaná nesprávnym spôsobom.
- 11.6 Zariadenie sa musí po uvedení do prevádzky spustiť do skúšobného chodu na dobu 7 dní. Ak sa nevykoná skúšobná prevádzka, zo zariadenia sa musí vypustiť voda alebo sa musí pravidelne preplachovať podľa požiadaviek uvedených v časti „Uvedenie do prevádzky – Varovanie“.
- 11.7 Tlaková nádoba **NIE JE** zabezpečená proti poškodeniu zamrznutím ani proti poškodeniu spôsobenému usadzovaním vodného kameňa.
- 11.8 Táto záruka nemá vplyv na zákonné práva zákazníka.

Táto záruka sa **NEVZŤAHUJE** na tepelné čerpadlo voda/vzduch pre vonkajšiu inštaláciu alebo Hydro Unit ESTIA.

## 12.0 INFORMÁCIE TÝKAJÚCE SA ŽIVOTNÉHO PROSTREDIA

---

- 12.1 Tento výrobok je vyrobený z mnohých recyklovateľných materiálov. Aby sa využili všetky ekologické prednosti, na konci životnosti sa toto zariadenie musí odovzdať na likvidáciu miestnemu recyklačnému stredisku.
- 12.2 Izolačný materiál obsahuje expandovanú polyuretánovú penu bez obsahu freónov (CFC) a hydrofluorchlorohvodíkov (HCFC) a má nulový faktor poškodzovania ozónovej vrstvy.

Vzhľadom na rýchle tempo vývoja výrobku si vyhradujeme právo na zmenu technických parametrov bez predbežného oznámenia. Snažíme sa však zabezpečiť, aby všetky informácie obsiahnuté v tomto dokumente boli v čase jeho vydania presné.

## DÔLEŽITÉ INFORMÁCIE A UPOZORNENIE

**PRED INŠTALÁCIOU TOHTO ZARIADENIA SI POZORNE PREČÍTAJTE TIETO POKYNY. UCHOVAJTE NA BEZPEČNOM MIESTE. INFORMÁCIE, KTORÉ SA UVÁDZAJÚ V NASLEDOVNÝCH POZNÁMKACH, SÚ POTREBNÉ NA LIKVIDÁCIU ZARIADENIA PO SKONČENÍ JEHO ŽIVOTNOSTI ALEBO NA JEHO OPĀTOVNÉ POUŽITIE.**

- Voči životnému prostrediu sme veľmi vnímaví a preto sme uvítali smernicu č. 2002/96/EC WEEE (odpad z elektrických a elektronických zariadení).
- Tento produkt je v súlade so smernicou EÚ číslo 2002/96/ES. Po skončení jeho životnosti sa musí zbierať samostatne a nesmie sa likvidovať ako netriedený komunálny odpad.
- Cieľom tejto smernice EÚ číslo 2002/96/ES je riešiť rýchlo rastúcu záplavu odpadu z elektrických a elektronických zariadení, zvýšiť recyklovanie elektrických a elektronických zariadení ("EEE") a obmedziť celkové množstvo odpadu EEE určeného na likvidáciu.
- Štítok so symbolom prečiarknutého odpadového koša, ktorý je na tomto produkte prilepený, znamená, že na tento výrobok sa môže vzťahovať uvedená smernica.
- Používateľ je povinný odovzdať tento výrobok príslušnej zberni druhotných surovín podľa toho, ako to určuje váš obecný úrad alebo distribútor. Keď sa inštaluje nový produkt, odpad zo starých použitých elektrických a elektronických zariadení sa môže odovzdať distribútorovi.
- Výrobca, dovozca a distribútor sú povinní zbierať a spracovať odpad z elektrických a elektronických zariadení buď priamo alebo prostredníctvom zberného systému. Distribútor pre vašu krajinu je uvedený nižšie.
- Každá krajina stanovuje sankcie pre prípad porušenia tejto smernice.
- Obvykle dodržiavame výklad CECED, podľa ktorého sa smernica o odpade z elektrických a elektronických zariadení považuje za platnú pre prenosné zariadenia, odvlhčovače vzduchu, WRAC (tepelné čerpadlá vzduch/voda pre okenné/izbové klimatizéry), Delené systémy až do 12kW, výmenné chladničky a mrazničky.
- Napriek tomu sa môžu medzi zákonmi rôznych členských štátov vyskytovať rozdiely. V prípadoch, keď národné zákony vylučujú niektoré produkty z rozsahu odpadu elektrických a elektronických zariadení, tieto zákony sa musia dodržiavať. Povinnosti vyplývajúce z odpadu elektrických a elektronických zariadení sa nemusia plniť v tých krajinách, kde tieto produkty nespádajú do rozsahu odpadu elektrických a elektronických zariadení.
- Smernica o odpade z elektrických a elektronických zariadení sa nevzťahuje na tie produkty, ktoré sa predávajú mimo Európskeho spoločenstva. V takýchto prípadoch sa nemusia dodržiavať povinnosti vyplývajúce z odpadu elektrických a elektronických zariadení, avšak musí sa zabezpečiť súlad so všetkými miestnymi predpismi.
- Ďalšie informácie si môžete vyžiadať od miestneho úradu, obchodu/obchodného zástupcu/distribútora/montážnika, ktorý tento produkt predáva, prípadne od výrobcu.

**SK**



## SISTEM TOPLOTNE ČRPALKE ZRAK–VODA

# (PRETOČNI) GRELNİK SANITARNE VODE Z ZAPRTIM ODTOKOM – METODA POSREDNEGA OGREVANJA

## PRIROČNIK ZA MONTAŽO IN VZDRŽEVANJE

### POMEMBNO

PRED MONTAŽO BOJLER ZA VODO MORATE PREBRATI IN RAZUMETI TA NAVODILA. V PRIMERU NEPRAVILNE MONTAŽE JE GARANCIJA NEVELJAVNA. BOJLER ZA VODO MORA MONTIRATI USPOSOBLJEN SERVISER V SKLADU Z LOKALNIMI PREDPISI ZA VODOVODNE NAPELJAVE, GRADNJO IN ELEKTRIKO. TA PRIROČNIK SHRANITE OB NAPRAVI, ČE BI GA KASNEJE MOREBITI POTREBOVALI.

### TEHNIČNE PODATKI

Nominalni tlak	1,0 MPa (10 bar)
Testni tlak (hidravlični)	1,5 MPa (15 bar)
Minimalni priporočeni oskrbni tlak	0,1 MPa (1 bar)
Maks. primarni delovni tlak kroga	0,35 MPa (3,5 bar)
Električni podatki (grelnik vode)	2,75kW @ 230V~
Teža (polna)	150 litrov posredna 181 kg
	210 litrov posredna 251 kg
	300 litrov posredna 360 kg

### PRILOŽENE KOMPONENTE

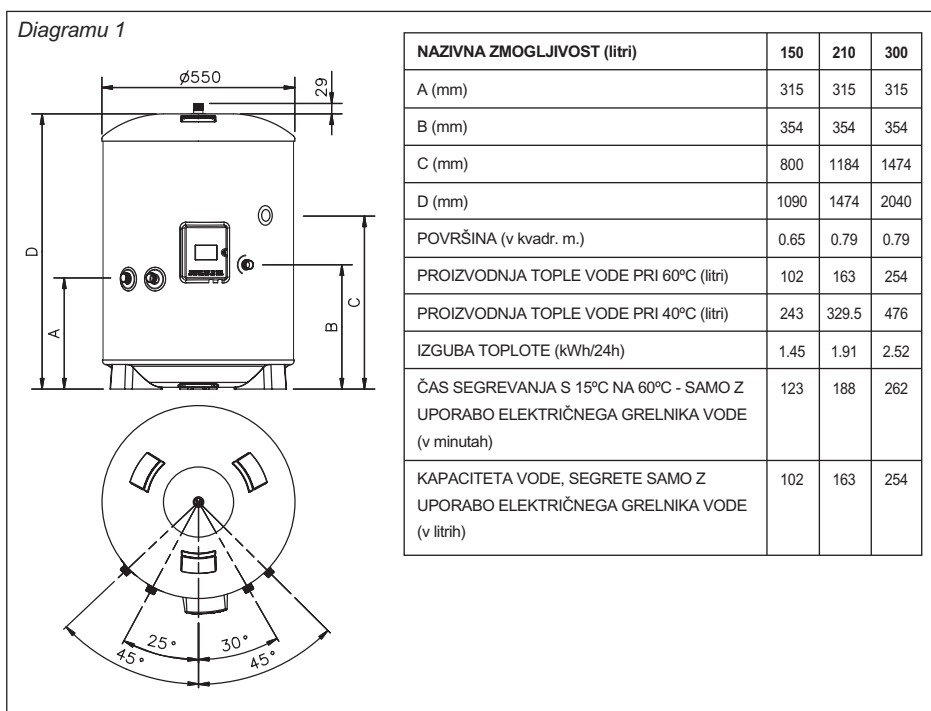
- Grelnik vode z vgrajenim električnim grelnikom vode in krmilnike za nadzor toplote.
- Skupina varnostnih komponent, ki vsebujejo razbremenilni ventil, kontrolni (nepovratni) ventil in izolirni ventil.
- Tesnilne matice in obročki.
- Napenjalni ključ za grelnik vode.

## 1.0 POMEMBNE TOČKE PRI MONTAŽI

- 1.1 Ta enota, ki se uporablja s toplotno črpalko zrak-voda ESTIA, je namensko oblikovani zaprti grelnik vode.
- 1.2 Grelnik vode **MORA** biti opremljen z ustreznim tlačnim varnostnim ventilom, ki ustreza lokalnim vodovodnim in gradbenim predpisom. **ČE PRIDE DO NAPAK V DELOVENJU RAZBREMENILEGA VENTILA, JE VSAKRŠNA GARANCIJA NEVELJAVNA, POLEG TEGA PA JE MONTAŽA JE LAHKO CELO NEVARNA.**
- 1.3 Če vhodni tlak presega 0,6 MPa (6 bar), morate v napajalni dotok grelnika namestiti reducirni ventil tlaka (nastavljenega na maks. 0,5 MPa (5 bar)). Reducirnega ventila **NE SMETE** namestiti med razbremenilni ventil in grelnik vode.
- 1.4 Kontrolni (protipovratni) ventil morate namestiti v napajalni dotok grelnika vode. Kontrolnega ventila **NE SMETE** namestiti med razbremenilni ventil in grelnik vode.
- 1.5 Otroci, osebe z zmanjšanimi fizičnimi, čutnimi in mentalnimi sposobnostmi ali osebe z nezadostnimi izkušnjami ali znanjem lahko napravo uporabljajo samo pod nadzorom ali po navodilih osebe, ki je odgovorna za njihovo varnost. Nadzirajte otroke in ne dovolite, da se z napravo igrajo.

## 2.0 MONTAŽA – SPLOŠNI POGOJI

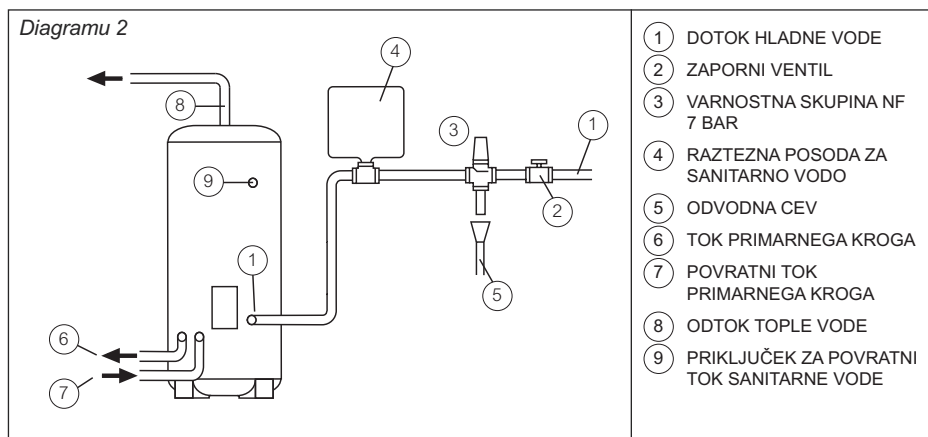
- 2.1 Nacionalni predpisi za električne napeljave lahko vsebujejo omejitve glede montaže teh naprav v določenih območjih, npr. v kopalnicah
- 2.2 Naprava **MORA** biti pritrjena navpično.
- 2.3 Naprava mora biti pritrjena na ravno površino.
- 2.4 Okrog naprave mora biti na voljo dovolj prostora za priklop cevi in za dostop do kontrolnih naprav ter vseh nameščenih razbremenilnih ventilov. Za določitev primernega položaja grelnika glejte diagramu 1 in tabelo z merami.
- 2.5 **POMNITE:** Zagotovite ustrezno nosilnost tal za polno težo naprave (glejte poglavje **TEHNIČNI PODATKI**).
- 2.6 **NE** nameščajte tam, kjer obstaja možnost, da naprava zamrzne.
- 2.7 Glavna oskrba grelnika z vodo bo hkrati zagotavljala tako oskrbo s toplo kot hladno vodo. Za zadovoljiv učinek priporočamo, da zagotovite največji možni dovod vode in redno kontrolo oskrbe z vodo. **OPOMBA:** visok vodni tlak ne zagotavlja vedno velike hitrosti pretoka vode. Priporočamo, da zagotovite minimalnim potrebam za oskrbo z vodo, in sicer najnižji tlak vode 0,1 MPa (1,0 bara) in hitrost pretoka 20 litrov na minuto. Vendar pa bo hitrosti pretoka slabša, če bo hkrati v uporabi več odtočnih cevi. Tem višja sta razpoložljivi tlak vode in hitrost vode, tem boljša je učinkovitost delovanja sistema.
- 2.8 **OMEJITVE:** Grelnika za vodo ne smete uporabljati:
  - ko obstaja možnost, da naprava ni bila servisirana ali da varnostne naprave ne delujejo;
  - Water supplies that have either inadequate pressure or where the supply may be intermittent;
  - ko je vodni tlak dovodne vode prenizek ali ko je motena oskrba z vodo;
  - na območjih, kjer dovedena voda pogosto vsebuje večje količine trdih ali plavajočih delcev, razen če je zagotovljena ustrezna filtracija na dovodni cevi.



### 3.0 MONTAŽA – VODOVOD

- 3.1 Upoštevajte razdelek **POMEMBNE TOČKE PRI MONTAŽI**. Vrstni red montaže ventilov in cevi je prikazan v diagramu 2. Ventili naj bodo pri montaži pravilno obrnjeni glede na smer toka, ki ga označuje puščica na ventilih. Grelnik vode **MORA** biti opremljen z ustreznim tlačnim varnostnim ventilom, ki ustreza lokalnim vodovodnim in gradbenim predpisom (v skupini varnostnih komponent). **ČE PRIDE DO NAPAK V DELOVENJU RAZBREMENILEGA VENTILA, JE VSAKRŠNA GARANCIJA NEVELJAVNA, POLEG TEGA PA JE MONTAŽA JE LAHKO CELO NEVARNA.** Vsako izpustno pipo, ki jo priključite na tlačno varnostno napravo, morate namestiti obrnjeno navzdol in v okolju, kjer ne zamrzuje.
- 3.2 Priklop vode na napravo je možen z neposrednim priklopom cevi z zunanjim premerom 22mm; v ta namen so priložene matice in tesnilni obročki. Navoj na priključku je G3/4, kar po potrebi omogoča uporabo ženskega priključka G3/4. **NE** uporabljajte pocinkanih cevi za vodo. Če uporabljate jeklene cevi, jih izolirajte od posode iz nerjavečega jekla tako, da uporabite dielektrične spoje.
- 3.3 **DOTOK** sanitarne vode je označen z **MODRO, ODTOK** pa z **RDEČO**. Navadno je nekaj odtokov za toplo vodo dovolj, vendar pa je število le-teh in njihova zmogljivost odvisna od posameznega primera in lokacije.
- 3.4 Priporočamo, da zaporni ventil namestite na oskrbni vod grelnika s hladno vodo.
- 3.5 Odtočna pipa naj bo v dovajalni cevovod nameščena pod grelnikom. Nameščena naj bo med grelnikom in protipovratnim ventilom.
- 3.6 Da bi preprečili izgubo odvečne vode, je lahko raztezna posoda za sanitarni krog priključena na dovod hladne vode, kot je prikazano v diagramu 2. Priporočamo naslednje velikosti:
- |            |                   |
|------------|-------------------|
| 150 litrov | 12 litrska posoda |
| 210 litrov | 18 litrska posoda |
| 300 litrov | 24 litrska posoda |

- 3.7 Povratni krog lahko namestite na krog za sanitarno vodo. Omogočen je priključek za namestitev povratne cevi kroga (ženski navoj G3/4).
- 3.8 Primarni grelni vod **MORA** biti priklopljen prek Hydro Unit. Za vse podrobnosti upoštevajte navodila za montažo, ki so priložena Hydro Unit.

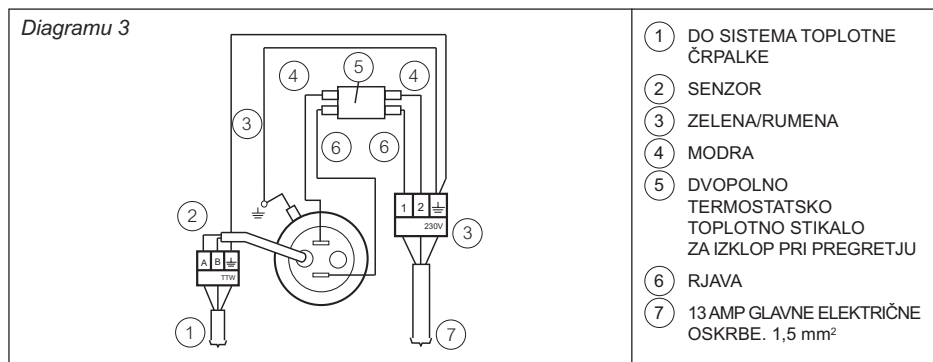


## 4.0 ZAHTEVE ZA ELEKTRIČNE NAPELJAVE

- 4.1 Naprava sestoji iz tovarniško vgrajenega grelnik vode, ki ga dopolnjuje temperaturni senzor in samodejni izklop pri pregretju. Grelnik vode ima nominalno moč 2,75kW pri 230V~.
- 4.2 Grelnik vode se nahaja za belim glavnim pokrovom na sprednji strani naprave. Pokrov je na vsaki strani pritrjen z 2 vijakoma in na sprednji strani pokrova še z izbočeno navojno matico. **PRED ODSTRANITVIJO POKROVA PREKINITE ELEKTRIČNO NAPAJANJE.**
- 4.3 Grelnik vode **MORA** biti ozemljen.
- 4.4 Vso električno napeljavo mora v skladu z najnovejšimi nacionalnimi predpisi za električno varnost opraviti usposobljen električar. Tokokrog mora biti zavarovan z ustrezno varovalko in dvopolnim ločitvenim stikalom, z ločilnim stikom najmanj 3mm na obeh polih.
- 4.5 Grelnik vode mora biti povezan, kot je prikazano na diagramu 3 in v Priročniku za namestitev toplotne črpalke. Napajalni kabel mora biti speljan prek ohišja krmilnika toplotne črpalke. V primeru neposrednega priklopa na električno napajanje je garancija neveljavna, poleg tega pa je priključitev je lahko celo nevarna. Napajalni kabel mora biti speljan skozi pripravljen skoznjik na desni strani, zunanji ovoj kabla pa varno privijačen na skoznjik. Priporočamo trižilni kabel, debeline 2,5mm<sup>2</sup> s termično zaščito.
- 4.6 Temperaturni senzor je potrebno priključiti prek ohišja krmilnika toplotne črpalke, kot je prikazano na diagramu 3 in priročnikom za namestitev toplotne črpalke. Kabel temperaturnega sensorja mora biti speljan skozi pripravljen skoznjik na levi strani, zunanji ovoj kabla pa varno privijačen na skoznjik. Kabel, debeline 0,75mm<sup>2</sup> za povezavo sensorja mora biti dvožilni + zaščita (ozemljitev), z največjo vrednostjo toka 100mA. Kabel naj ne bo daljši od 5-ih metrov.
- 4.7 Pred začetkom uporabe zamenjajte zgornji pokrov.
- 4.8 **NE** segrevajte naprave dokler grelnik vode ni popolnoma napolnjen z vodo.



- 4.9 Nadzor temperature v grelniku vode se izvaja prek krmilnikov vodne enote (Hydro Unit controls). Podrobnejša navodila za nastavitve višine temperature vode v grelniku najdete v Priročniku za namestitev sistema toplotne črpalke zrak–voda.
- 4.10 Električno napajanje od toplotne črpalke do grelnik vode ima vgrajeno temperaturno izklopno stikalo, ki izklopi grelnik vode v primeru napake pri kontroli temperature. V nobenem primeru NE pozabite namestiti stikala za izklop pri pregretju.



## 5.0 ZAGON

**OPOZORILO:** Če vode dlje časa ne iztočite iz nerjavečega grelnika in v njem stoji daljše obdobje, voda ni več obogatena s kisikom in lahko začne razjedati posodo za sanitarno vodo. Če naprave, ki ste jo priključili in jo pripravili na obratovanje, dlje časa ne boste uporabljali, popolnoma izpraznite sistem ali vsaj enkrat tedensko spustite svežo vodo skozenj.

**Pri začetku uporabe posode sledite spodnjim navodilom za polnjenje in natančen pregled sistema.**

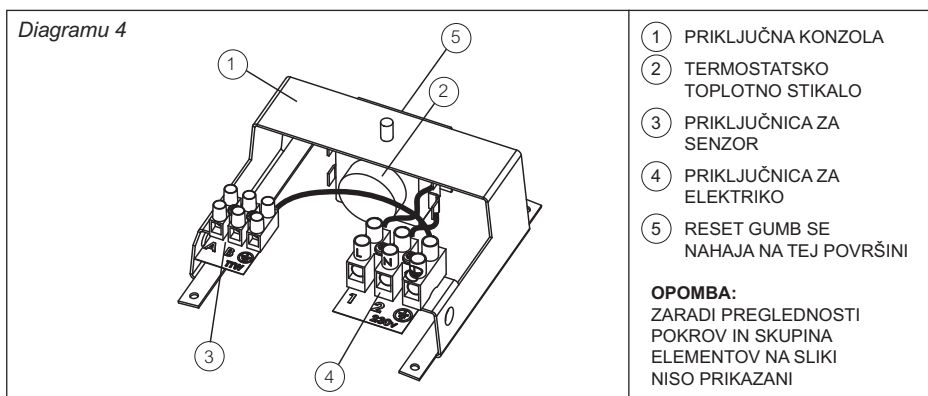
- 5.1 **NE** vklaplajte toplotne črpalke dokler naprava ni napolnjena z vodo in preden ne preverite, če dobro tesni.
- 5.2 Preverite ustreznost zahtev vseh priključkov, električnih vodov in odvodnih cevi.
- 5.3 Preverite pravilno nameščenost in trdno pritost vseh vodovodnih in električnih priključkov.
- 5.4 Odprite pipo za toplo vodo na napravi in odprite dovod hladne vode k napravi.
- 5.5 In za nekaj časa odprite pipo za toplo vodo, da iz sistema odstranite ves morebitni zrak in izplaknete nečistoče. Zaprite pipo za toplo vodo.
- 5.6 Zaporedoma odprite vse pipe za toplo vodo, da iz sistema odstranite zrak.
- 5.7 Pri zaprtih pipah za toplo vodo preverite, da sistem ne pušča vode, in zatesnite morebitna mesta iztekanja.
- 5.8 Ročno preverite delovanje razbremenilnega ventila. Zagotovite, da bo voda nemoteno tekla od ventila skozi odtočno pipo.
- 5.9 Napolnite primarni krog in upoštevajte poglavje "Cev za vodo" v Priročniku za namestitev vodne enote. Odzračite ves zrak tako, da odprete odzračevalne točke ali samodejne odzračevalnike.

- 5.10 Na električnem napajanju vklopite toplotno črpalko in nastavite programator na način **TOPLA VODA**. Preverite delovanje vseh motoriziranih ventilov ali primarnih črpalk, ki omogočajo segrevanje naprave. Temperaturo tople vode lahko nastavite s pomočjo daljinskega upravljalnika vodne enote – za podrobne informacije o tem pogledajte v Priročnik za uporabnike sistema toplotne črpalke zrak–voda.

## 6.0 VZDRŽEVANJE – ODSTRANJEVANJE KOTLOVCA S GRELNİK VODE

- 6.1 Vzdrževanje grelnika ni zahtevno, a na območjih s trdo vodo je potrebno z določenih delov naprave odstraniti kotlovec, da zagotovimo optimalno učinkovitost delovanja. Za odstranitev kotlovca v napravi:
- 6.2 Napravo ugasnite, jo izklopite iz omrežja ter zaprite bojler (posredna naprava). Zaprite napajanje vode do naprave.
- 6.3 Odprite pipo za toplo vodo, da znižate tlak v sistemu. Izpraznite napravo tako, da odprete izpustni ventil v cevovodu dotoka.
- 6.4 Odprite zgornji pokrov. Odklopite povezovalne žice, ki spajajo stikalo za izklop ob pregretju s grelnik vode. Temperaturni senzor previdno odstranite iz žepka na grelnik vode tako, da ga izvlečete.
- 6.5 Temperaturno izklopno stikalo in njegovo senzorsko žarnico na grelnik vode previdno odstranite iz žepka tako, da vse skupaj izvlečete. Bodite previdni, da ne preščipnete kapilarne cevi.
- 6.6 Odstranite zadnji del ločevalnega elementa tako, da ga izvlečete iz elementa.
- 6.7 Odvijte varovalno matico grelnik vode. Ključ za napenjanje je priložen napravi za lažje odstranjevanje/zategovanje varovalne matice grelnik vode. Z naprave odstranite grelnik vode. **POMNITE:** sčasoma lahko tesnilo grelnik vode zaradi oblog zatrdi na onesnaženi površini; da bi prelomili spoj, vstavite križni izvijač v enega od žepkov na grelnik vode in ga nežno dvigujte in spuščajte.
- 6.8 S površine elementa previdno odstranite vso usedlino. **NE** uporabljajte ostrih predmetov, saj lahko poškodujete površino elementa.
- 6.9 Tesnilna površina naj bo čista in tesnila naj bodo nepoškodovana. Če dvomite v brezhibnost le-teh, vstavite nova tesnila.
- 6.10 Pri menjavi cilindričnega grelnika zagotovite, da bodo zadnji deli elementa v **NAVPIČNI** ravnini (glejte Diagramu 3). Fiksirajte grelnik v tem položaju in privijte varovalno matico na grelniku. Med zategovanjem varovalne matice si pomagajte tako, da grelnik vode podprete s križnim izvijačem, ki ga vstavite v enega od žepkov elementa.
- 6.11 Zamenjajte zadnji del ločevalnega elementa tako, da ga skrbno potisnete prek zadnjega dela elementa dokler ni poravnana s srednjim delom elementa montažne plošče.
- 6.12 Zamenjajte tanko žico temperaturnega izklopnega stikala v **LEVEM** žepku cilindričnega grelnika. Zagotovite, da je vstavljena do končnega položaja in da kapilarna cev ni zavozlana. Zagotovite, da je kapilarna cev zavita tako, da ne bo prišla v stik z zadnjimi deli elementa.
- 6.13 Zamenjajte temperaturni senzor v **LEVEM** žepku cilindričnega grelnika za temperaturnim izklopnim stikalom. Prepričajte se, da je vstavljen do končnega položaja in da je varovalni tulec potisnjen v odprt konec žepkov.

- 6.14 Ponovno namestite spoje žic grelnik vode tako, da vstavite moške vtiče v ženske priključke na zadnjem delu elementa, kot je prikazano na diagramu 3. Preverite, če so vsi žični spoji čvrsto priviti in izolirani. Ponovno namestite in privijte zgornji pokrov.
- 6.15 **NE VKLAPLJAJTE TOPLOTNE ČRPALKE ALI GRELNİK VODE DOKLER NAPRAVA NI PONOVO NAPOLNJENA Z VODO.** Napravo ponovno zaženite v skladu z Navodili za namestitev in **ZAGON**.



## 7.0 VZDRŽEVANJE – RAZBREMENILNI VENTILI

- 7.1 Redno morate preverjati pravilno delovanje razbremenilnega ventila in vseh drugih nameščenih razbremenilnih ventilov.
- 7.2 Ročno sprožite ventil (-e) in se prepričajte, če voda neovirano teče od ventila skozi odvodno cev. **POMNITE:** iztekajoča voda je lahko zelo vroča. Zagotovite, da bodo ventili po sprostitvi namešчени pravilno.

## 8.0 NAVODILA ZA UPORABNIKA

- 8.1 Temperaturo hranilnika tople vode na grelniku vode sistema toplotne črpalke zrak–voda nastavite na nadzorni plošči vodne enote. Nastavite lahko temperaturo v temperaturnem območju od 40°C do 70°C – priporočamo 60°C. Če želite nastaviti temperaturo hranilnika tople vode, pogledjte v Priročnik za namestitev vodne enote.
- 8.2 Da bi preprečili morebitno zamrzovanje v zimskih mesecih, ko grelnika dlje časa ne uporabljate, prekinete glavni dovod vode do toplotne črpalke in potopnega grelnika in izpraznite grelnik vode. **OPOMBA:** to ne bo zaščitilo drugih delov sistema cevovoda. Če to storite, morate grelnik vode ponovno usposobiti za zagon preden prižgete toplotno črpalčko in grelnik vode, sicer lahko pride do poškodb grelnika.
- 8.3 Da bi zagotovili optimalno delovanje grelnika, ga je potrebno redno vzdrževati v skladu z navodili, ki so podana v poglavju **VZDRŽEVANJE**.

## 8.4 POMEMBNE OPOMBE ZA UPORABNIKA

- Ne omejujte ali preprečujte izpustov iz katerega koli nameščenega razbremenilnega ventila.
- Ne dotikajte se katerega koli nameščenega razbremenilnega ventila.
- V nobenem primeru **NE** pozabite namestiti temperaturnega izklopnega stikala.
- Če sumite na okvaro, pokličite usposobljenega serviserja, da pregleda sistem.

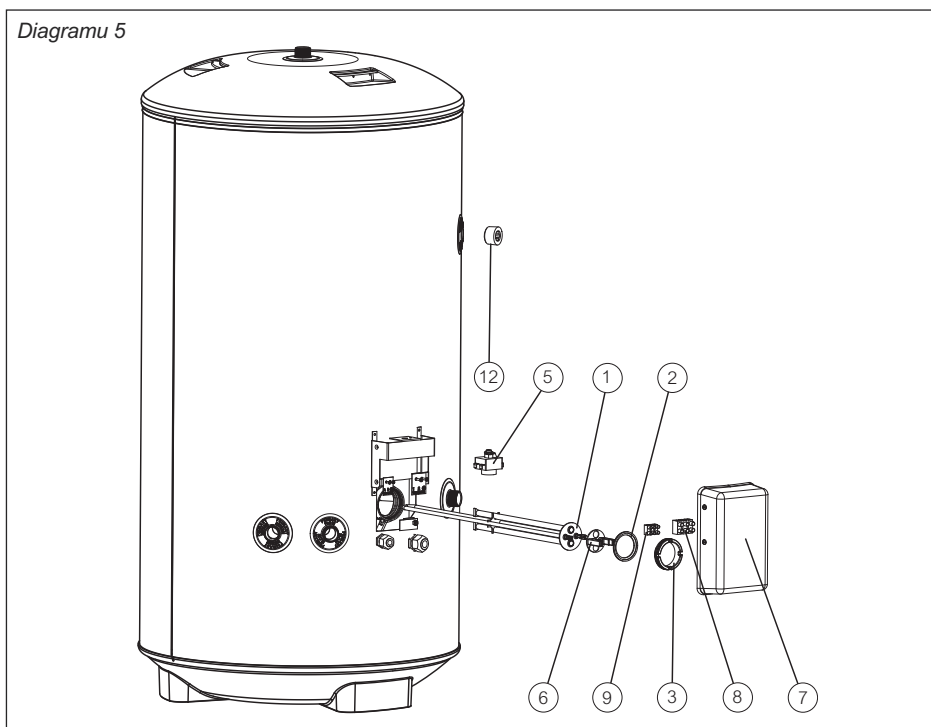
## 9.0 REZERVNI DELI

9.1 Za toplotno črpalko bojler za vodo je na voljo spodnji seznam rezervnih delov. Z nalepke s tehničnimi podatki odčitajte model vašega grelnika in naročite ustrezne rezervne dele.

9.2 **NE** zamenjajte z rezervnimi deli, ki jih izdelovalec in priporočil, ker v tem primeru garancija ne bo veljavna, pa tudi sama vgradnja je lahko nevarna.

9.3 Opis	Del št. ev.
① Grelnik vode .....	95:606:967
② Tesnilo grelnik vode .....	95:611:012
③ Varovalna matica grelnik vode .....	95:607:118
Napenjalni ključ grelnik vode .....	95:607:119
⑤ Temperaturno izklopno stikalo (grelnik vode) .....	95:612:038
⑥ Zadnji del ločevalnega elementa .....	95:607:115
⑦ Zgornji pokrov .....	95:614:109
⑧ Blok terminalov (priključki za grelnik vode) .....	95:607:113
⑨ Blok terminalov (priključki za temperaturni senzor) .....	95:607:114
Temperaturni senzor .....	95:612:037
Set tesnilnih matic in obročkov .....	95:607:116
⑫ Priključni vtič sekundarnega povratnega voda .....	95:607:117
Skupina varnostnih komponent .....	95:605:073

Diagramu 5



## 10.0 ISKANJE NAPAK

Spodnja tabela prikazuje seznam nekaterih najpogostejših napak, morebitne vzroke zanje in odpravljanje teh napak. Vsako popravilo grelnika vode in sistema toplotne črpalke mora opraviti usposobljen serviser.

NAPAKA	MOREBITEN VZROK	POPRAVILO
Ni pretoka tople vode	1. Glavna oskrba z vodo je onemogočena	1. Preverite in vklopite glavni dovod vode
	2. Glavni vodni filter (če je vgrajen) je blokiran	2. Izklopite dovod vode. Odstranite filter in ga očistite v skladu z navodili izdelovalca
	3. Protipovratni ventili na dovodu vode ni pravilno nameščen	3. Preverite in ponovno namestite v skladu z navodili
Voda iz pip za toplo vodo je hladna	1. Krmilnik na Hydro Unit toplotne črpalke je nastavljen le na ogrevanje prostora	1. Preverite nastavitvev
	2. Toplotna črpalka ne deluje	2. Preverite delovanje toplotne črpalke. Če sumite na napako, pogledajte v Priročnik toplotne črpalke
	3. Pokvarjen senzor temperature bojler za vodo	3. Preverite delovanje senzorja. Zamenjajte, če je potrebno
Voda iz pip za toplo vodo je le mlačna	1. Temperaturno izklopno stikalo grelnik vode se je vklopilo	1. Preverite. Ponastavitev s pritiskom gumba na izklopnem stikalu.
	2. Pokvarjen senzor temperature bojler za vodo	2. Preverite delovanje senzorja. Po potrebi zamenjajte
Voda iz pipe za toplo vodo je prevroča	1. Temperatura shranjene vode je na krmilniku toplotne črpalke nastavljena previsoko	1. Preverite in ponovno namestite v skladu z navodili
	2. Pokvarjen senzor temperature bojler za vodo	2. Preverite delovanje senzorja. Po potrebi zamenjajte
Voda nenehno izteka iz razbremenilnega ventila	1. Tlak vode v sistemu je previsok	1. Pogledajte v razdelek Pomembne točke namestitve za nastavitvev ustreznega tlaka. Po potrebi v napajalni dovod vode vstavite tlačni reducirni ventil
	2. Žepek razbremenilnega ventila je poškodovan	2. Odstranite in zamenjajte

## 11.0 GARANCIJA

---

Za podrobne informacije o garanciji se obrnite na dobavitelja vaše toplotne črpalke ESTIA.

- 11.1 Naprava je vgrajena v skladu s temi navodili in tudi vsi dovodni krmilniki in razbremenilni ventili so pravilno vgrajeni.
- 11.2 Vsi ventili in krmilniki ustrezajo tipu, ki ga je priporočil izdelovalec.
- 11.3 Naprava ni bila manipulirana in je bila redno pravilno vzdrževana v skladu s temi navodili.
- 11.4 Naprava je bila uporabljena le za gretje pitne vode (največ 250 mg/l klorida).
- 11.5 Naprava ni bila napolnjena z vodo, ki bi vsebovala visoke vrednosti klora ali bila nepravilno dezinficirana.
- 11.6 Ko je naprava pripravljena na obratovanje, se začne uporabljati v roku 7-ih dni. Če temu ni tako, popolnoma izpraznite sistem ali redno zagotavljajte pretok sveže vode skozenj, kot je navedeno v poglavju "Zagon–Opozorilo".
- 11.7 Naprava **NIMA** garancije za poškodbe zaradi mraza ali zaradi tvorbe kotlovca.
- 11.8 Ta garancija ne vpliva na zakonite pravice uporabnika.

Ta garancija **NE VKLJUČUJE** zunanje enote toplotne črpalke zrak-voda ESTIA ali Hydro Unit ESTIA.

## 12.0 OKOLJSKA INFORMACIJA

---

- 12.1 Ta izdelek je narejen iz številnih materialov, ki se lahko reciklirajo. Po koncu uporabe izdelka, ga morate zavreči med odpadke pri pooblaščenem zbirnem centru za recikliranje odpadkov, da bi zagotovili ustrezno skrb za okolje.
- 12.2 Izolacijski material je poliuretanska pena, ki ne vsebuje CFC/HCFC, ki nima vpliva na tanjšanje ozonskega plašča.

**Glede na hitrost razvoja izdelka si pridržujemo pravico do sprememb lastnosti izdelka brez najave. Vsekakor pa si prizadevamo posodobiti informacije v tej brošuri glede na čas izdaje.**

## POMEMBNE INFORMACIJE IN OPOZORILA

**PREBERITE PRED NAMESTITVIJO ENOTE. NAVODILA SKRIBNO HRANITE. TUKAJ SO ZAJETE INFORMACIJE, POTREBNE DO ODSTRANITVE ENOTE OB KONCU UPORABE ALI ZA PONOVO UPORABO ENOTE.**

- Zavedamo se skrbi za okolje in delujemo v skladu s standardi Direktive 2002/96/ES o odpadni električni in elektronski opremi (OEEO).
- Ta izdelek je v skladu z Direktivo EU 2002/96/ES. Po koncu uporabe sodi med posebne odpadke, zato ga ne smete zavreči med običajne nesortirane komunalne odpadke.
- Cilji Direktive EU 2002/96/ES so obvladati naraščanje količine odpadkov električne in elektronske opreme, povečati stopnjo recikliranja električne in elektronske opreme („EEO“), in omejiti skupne količine odpadne EEO („OEEO“), namenjene za odlaganje.
- Na izdelku nalepljen prečrtan znak smetnjaka na kolesih pomeni, da morate s tem izdelkom ravnati v skladu s prej omenjeno Direktivo.
- Uporabnik mora izdelek odložiti na ustreznem mestu za zbiranje odpadkov, ki ga določita občina ali distributer. V primeru namestitve novega izdelka se morda lahko dogovorite z distributerjem, da vam odpelje staro OEEO.
- Izdelovalec, uvoznik in distributer so neposredno ali prek zbirnega sistema odgovorni za zbiranje in ravnanje z OEEO. Distributer za vašo državo je naveden spodaj.
- V primeru kršenja Direktive so v vsaki državi določene posebne sankcije.
- V splošnem sledimo razlagi CECED o Direktivi OEEO, ki se uporablja za premične enote, razvlaževalnike, sisteme WRAC (okenski sistemi toplotnih črpalk zrak-voda), deljene sisteme do 12kW, hladilnike in zamrzovalnike.
- Vendar lahko obstajajo razlike med zakonodajami različnih držav. V primerih, ko nacionalna zakonodaja izključuje nekatere izdelke iz okvira OEEO, je treba upoštevati to zakonodajo. V državah, kjer ti izdelki niso vključeni v okvir OEEO, določil Direktive OEEO ni treba upoštevati.
- Direktiva OEEO ne velja za izdelke, prodane zunaj Evropske skupnosti. V teh primerih določil Direktive OEEO ni treba upoštevati, vendar je treba zagotoviti ravnanje v skladu z lokalnimi predpisi.
- Za vse nadaljnje informacije se obrnite na svojo občino, poslovalnico/trgovca/distributerja/serviserja, ki vam je izdelek prodal, ali na izdelovalca.

## NOTES

---



## NOTES

---

**France**

Carrier S.A. Route de Thil  
BP 49 01122 Montiuél  
Cedex France

**Germany / Deutschland**

Carrier GmbH & Co. KG  
Edisonstrasse 2 85716  
Unterschleissheim

**Czech Republic / Česko**

AIRCOND, Klimaanlagen  
Handelsgesellschaft m.b.H  
Petersgasse 45, A-8010  
Graz Austria

**Croatia / Hrvatska**

AIRCOND, Klimaanlagen  
Handelsgesellschaft m.b.H  
Petersgasse 45, A-8010  
Graz Austria

**Austria / Österreich**

AIRCOND, Klimaanlagen  
Handelsgesellschaft m.b.H  
Petersgasse 45, A-8010  
Graz Austria

**Hungary / Magyar**

AIRCOND, Klimaanlagen  
Handelsgesellschaft m.b.H  
Petersgasse 45, A-8010  
Graz Austria

**Greece / Ελλάδα**

Carrier Hellas  
Airconditioning S.A. - 4g  
Andersen street-11525  
Athens Greece

**Sweden / Sverige**

Carrier AB - P.O.BOX 8946-  
Arods Industrivag 32. S-402  
73 Gothenburg Sweden

**Norway / Norge**

Carrier AB - P.O.BOX 8946-  
Arods Industrivag 32. S-402  
73 Gothenburg Sweden

**Slovakia / Slovensko**

AIRCOND, Klimaanlagen  
Handelsgesellschaft m.b.H  
Petersgasse 45, A-8010  
Graz Austria

**Slovenia / Slovenija**

AIRCOND, Klimaanlagen  
Handelsgesellschaft m.b.H  
Petersgasse 45, A-8010  
Graz Austria