



Electric fire pump controller, supply 24VAC, built-in RS485, not expandable FFL...EP

Product designation

Product type designation

Auxiliary supply

Rated auxil. supply voltage	24VAC
Operating auxil. supply voltage range	19.2...28.8VAC
Operating frequency range	Hz 45...66Hz

Voltage inputs

Rated voltage Us	min	VAC	100
	Max	VAC	600
Measurement range		V	100...720
Frequency range		Hz	45...66

NTC probe input

Sensor type	NTC (LOVATO code NTC01)
Measuring range	°C -40...+85
Maximum connection length	mt 3m

Digital inputs

Number of digital input	Nr.	8
Digital input type		Negative
Digital input current	mA	≤6
High digital input signal	V	≥4.9V (typical 3.8V)
Low digital input signal	V	≤1.25V (typical 2.3V)
Digital input signal delay	ms	≥50

Current inputs

Rated current (Ie)	A	/1A or /5A
--------------------	---	------------

Relay outputs

Number of relay output	Nr.	7
Mechanical endurance		10 ⁷
Electrical endurance		10 ⁵

Static Outputs

Number of static output		1 (OUT10)
Static output type		NO
Operating voltage	V	10...30VDC
Maximum current	mA	50mA

RS485 serial interface

Interface type		Isolated RS485 serial interface
Baud rate	bps	1200...115200
Insulation voltage (RS485-Vbatt)		1kVDC

Connections

Type of terminal	Removable screw-type		
Conductor cross section	AWG/Kcmil	min	AWG 24
		Max	AWG 12
	IEC	min	mm ² 0.2
		Max	mm ² 2.5
Tightening torque for terminals	max	Nm	0.56
	max	lbin	5

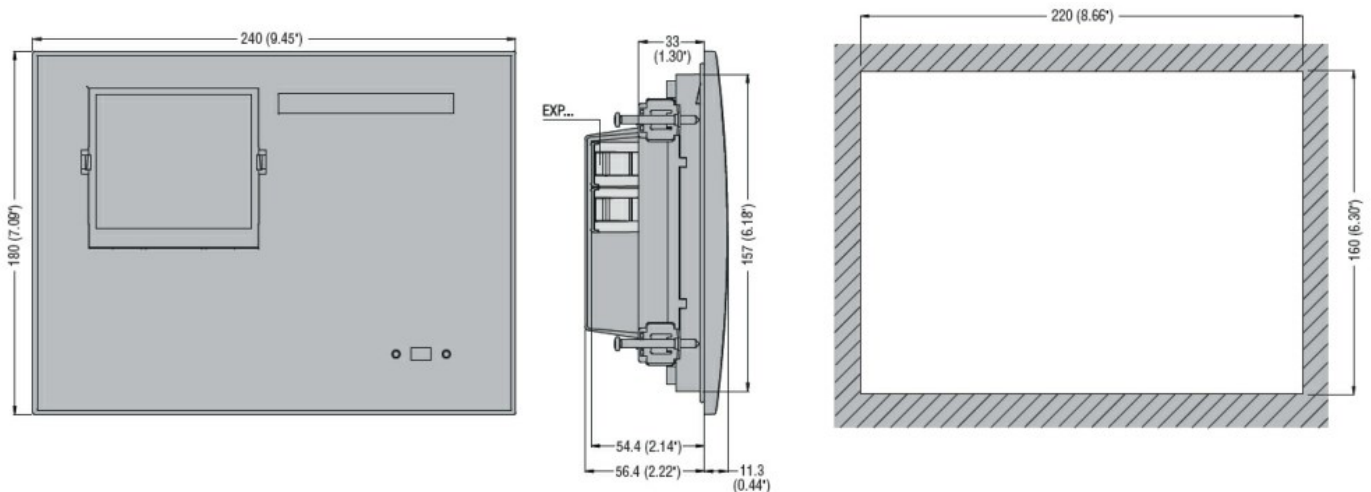
Ambient conditions

Temperature	Operating temperature	min	°C	-25
		max	°C	+70
	Storage temperature	min	°C	-30
		max	°C	+80
Relative humidity		%	<80% (IEC/EN 60068-2-78)	

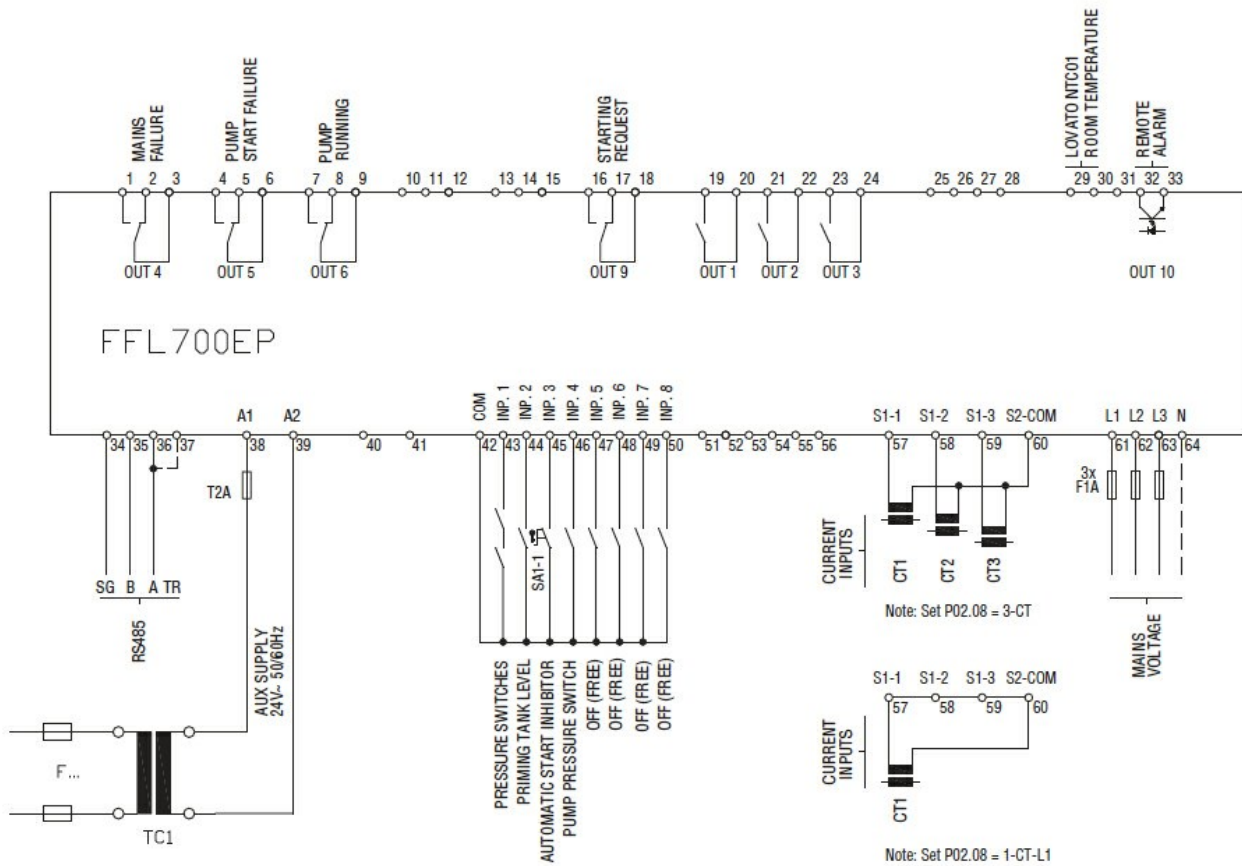
Housing

Execution	Flush-mount		
Material	Polycarbonate		
Degree of protection	IP65 Frontal; IP20 on terminals		
Dimensions (W x H x D)	mm	240 x 180 x 43.9	
Weight	g	980	

Dimensions



Wiring diagrams



Certifications and compliance

Compliance

- IEC/EN 61000-6-2

- IEC/EN 61000-6-3

- IEC/EN 61010-1

- IEC/EN 61010-2-030

- UNI EN 12845

Certificates

/

ETIM classification

ETIM 8.0

EC002685 -
Central fire alarm
control panel