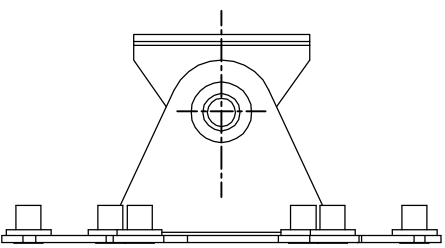
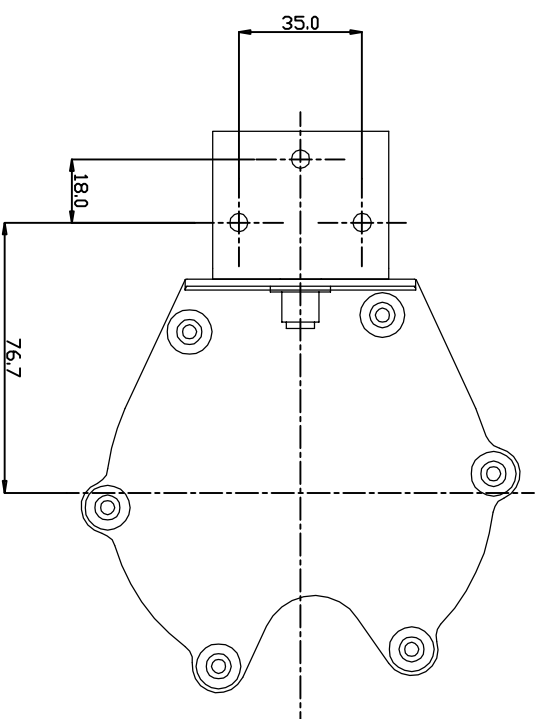
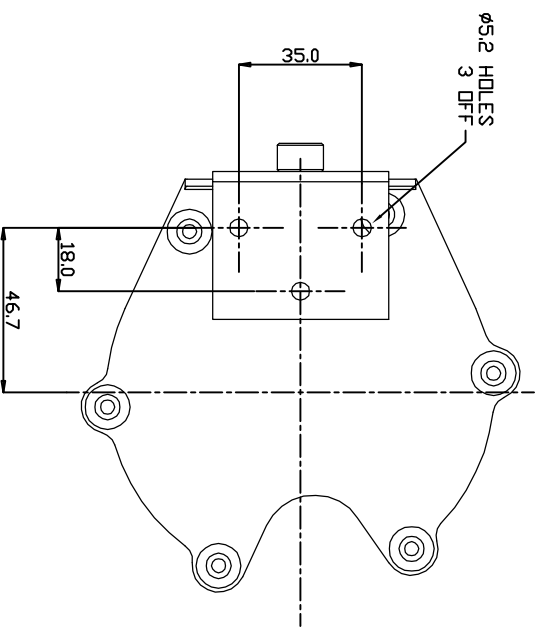
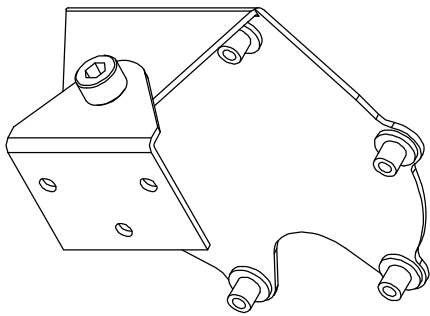
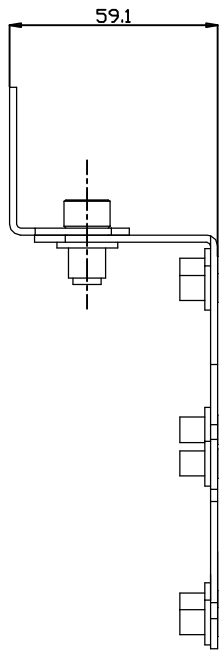
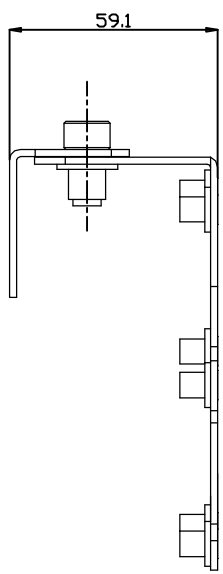


ISSUE	NO. 13	REGION - INTERNAL - AITE
A		INTRODUCTION OF PART REV. 2509908



DRAWING TO BE APPROVED BY THE CUSTOMER LIMITED DIMENSIONS MATERIAL DIMENSIONS, THIS IS 2P	DESIGNED	DATE	2509908	SURFACE FINISH	VERTICAL Ø40	THIS DRAWING AND ALL INFORMATION IS EXCLUSIVE PROPERTY OF GEMTEK SYSTEMS LTD. ANY REUSE OR REPRODUCTION OF THIS DRAWING WITHOUT THE WRITTEN PERMISSION OF GEMTEK SYSTEMS LTD. IS STRICTLY PROHIBITED.	 GEMTEK SYSTEMS LTD. LONDON W10 7PH VANZOSION	SCALE	3:1	ALL DIMENSIONS IN MM UNLESS OTHERWISE SPECIFIED	 A2
	APPROVED	DATE	2509908	ALTERNATIVE MATERIAL	TITLE <b>B450 BRACKET INSTALLATION</b> DRAWING NUMBER <b>SK0039</b>						

