

Part number

MBO 10.40



Hood, BIG series, with 4 pegs, M40 side cable entry, size "57.27"

Product description

| | |
|---------------------|-------------------------|
| Product type | Hood |
| Series | BIG |
| Closing type | With 4 pegs |
| Size | Size 57.27 |
| Cable entry | Side cable entry M40 |

Technical data

| | |
|--------------------------------|------|
| IP degree of protection | IP66 |
|--------------------------------|------|

Further technical details

| | |
|---|----------------|
| Weight | 440,00 g |
| Operating temperature range (min, max) | -40°C...+125°C |

Material properties

| | |
|------------------------------|---------------|
| Other materials | Gasket: NBR |
| Colour | RAL 7040 grey |
| RoHs conformity | Compliant |
| China RoHs - EFUP | E |
| REACH SVHC substances | No |

Approvals / Standards

| | |
|-----------------------|---------|
| Certifications | DNV, BV |
| UL | ECBT2 |
| cUL | ECBT8 |

General ordering information

| | |
|-------------------|---------------|
| EAN13 code | 8015747187169 |
| eCl@ss 8.1 | 27440202 |
| ETIM 7.0 | EC000437 |

Packaging Information

| | |
|----------------------------------|----------------------|
| Packaging length | 205,00 mm |
| Packaging height | 135,00 mm |
| Packaging width | 135,00 mm |
| Packaging weight | 1,89 kg |
| Packaging volume | 3,74 dm ³ |
| Packaging description | Carton box |
| Packaging quantity | 4 Pcs |
| Packaging EAN code | 8015747188746 |
| Sub-packaging weight | 0,47 kg |
| Sub-packaging description | Plastic packaging |
| Sub-packaging quantity | 1 Pcs |
| Sub-packaging EAN barcode | 8015747035880 |

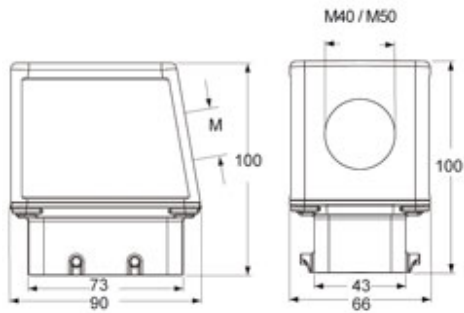
Part number

MBO 10.40

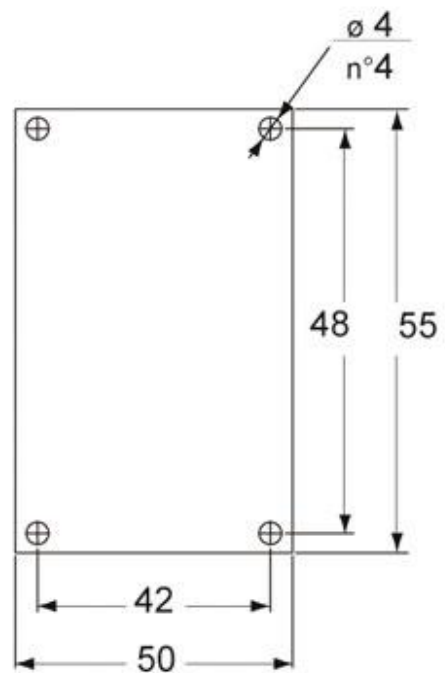
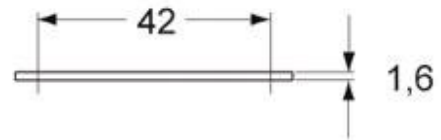


Catalogue drawings

MBO 10



Catalogue drawings



Notes

Dimensions shown in mm are not binding and may be changed without notice.