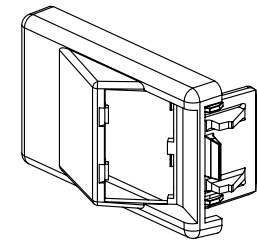
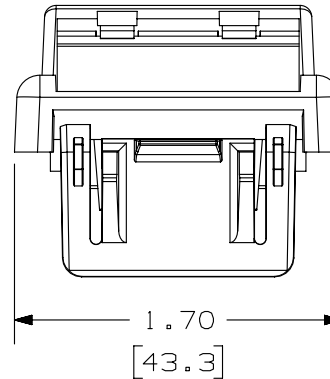
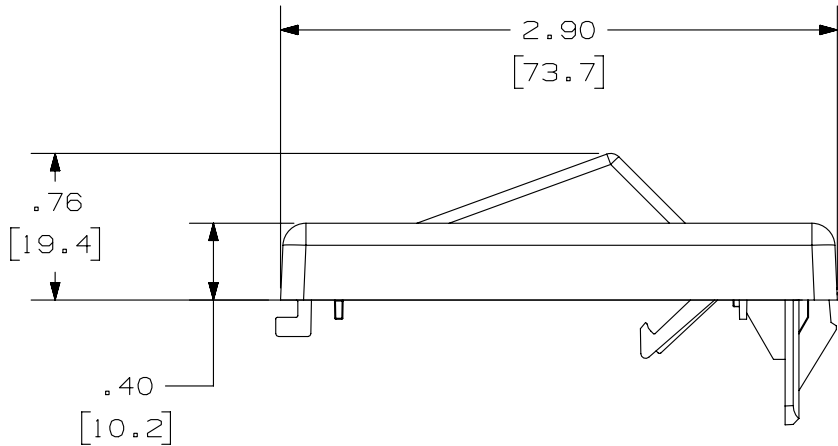


THIS COPY IS PROVIDED ON A RESTRICTED BASIS AND IS NOT TO BE USED IN ANY WAY DETRIMENTAL TO THE INTERESTS OF PANDUIT CORP.

PANDUIT P/N	WEIGHT
CFFPA2**	.31 LB/10 PCS (138.7 g/10 PCS)

NOTES:

- SEE CURRENT CATALOG FOR ADDITIONAL PART NUMBER SUFFIXES TO INDICATE COLOR AND OR PACKAGE QUANTITY.
- SEE CATALOG FOR COMPLETE LIST OF PARTS APPLICABLE FOR USE WITH THIS PART.
- DIMENSIONS IN [] ARE IN METRIC.
- FACEPLATE ACCEPTS 2 MINI-COM MODULES.
- FACEPLATE SNAPS INTO A RANGE OF FURNITURE OPENINGS:
HEIGHT: 1.34"[34.0] TO 1.40"[35.6]
WIDTH: 2.67"[67.8] TO 2.75"[69.9]
MAX. MATERIAL THICKNESS: .090"[2.3]



PART NUMBER		CFFPA2**	
TITLE			
MINI-COM 2 POSITION ANGLED FURNITURE FACEPLATE			
CUSTOMER DRAWING			
ITEM REVISION NAME		M00132BA/06	
DATASET FILE NAME		M00132BA_DC/06D	
UNLESS OTHERWISE SPECIFIED, DIMENSIONAL TOLERANCES ARE: IN [mm]		MATERIAL:	
.x ± .xxx ± .010 [.3]		ABS	
.xx ± .03 [.8]		DRAWING NUMBER:	
ANGLES ±		00132-02	
THIRD ANGLE PROJECTION		SHT 1 OF 1	
DRAWN BY	DATE	CHK	SCALE
JSP	5-18-98	FJDU	NONE
REV	DATE	BY	CHK
3	3/18/14	JSP	REFR
APR	DESCRIPTION		ECN
MMR	A. REVISED AND REDRAWN, ALL OTHER REVISIONS OMITTED.		00132-02

D10100DA/14

2

1

2

1