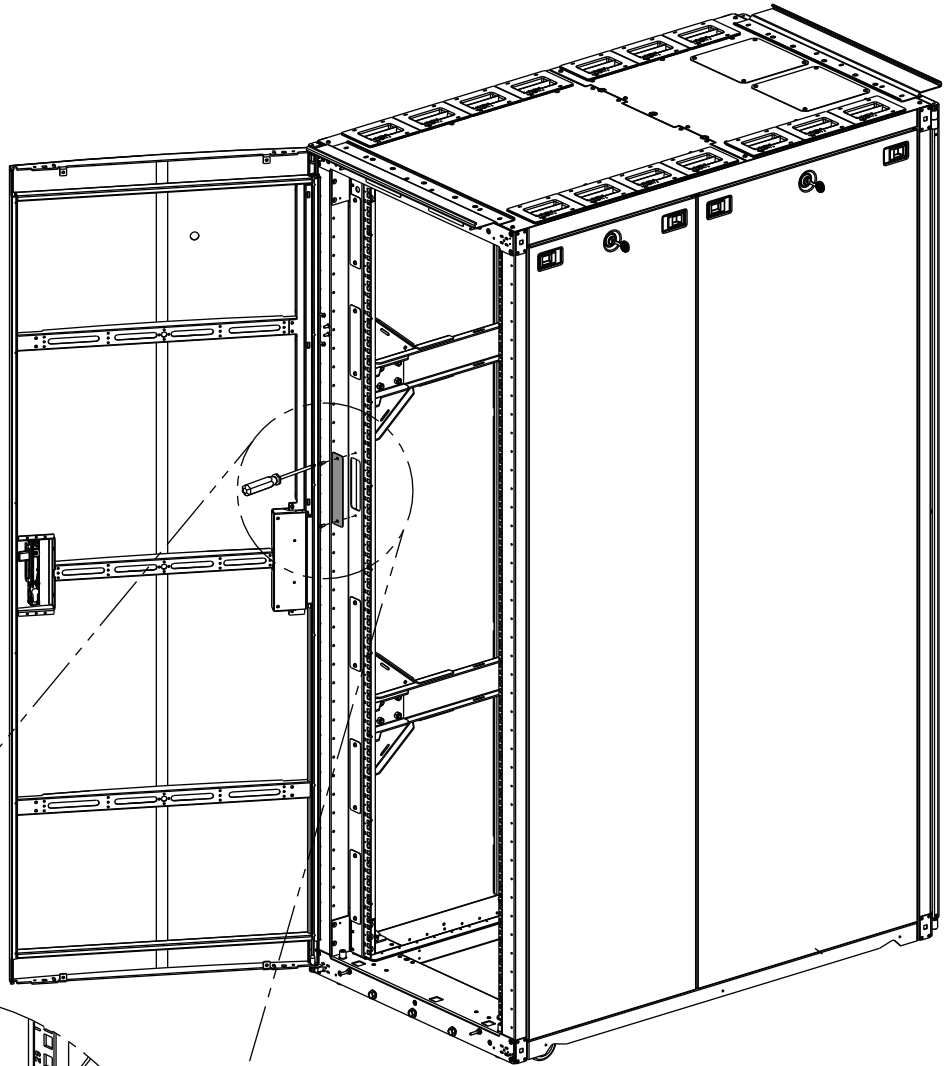
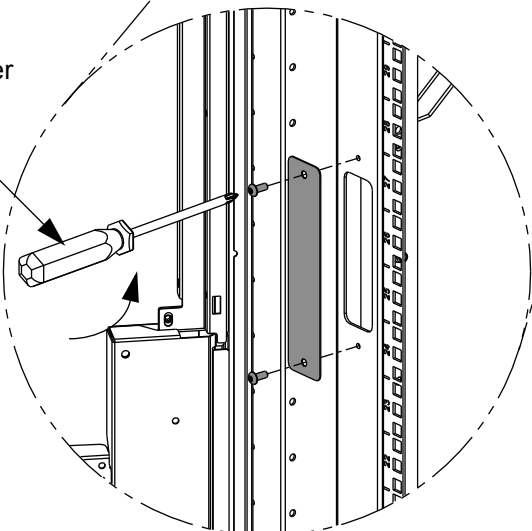


1



T25 Torx driver
2X



Remove desired blanking plate from the Vertical Air Dam using a T25 Torx driver.

