



Product designation				Power contactor
Product type designation				B250
Contact characteristics				
Number of poles	Nr.	3		
Rated insulation voltage U_i IEC/EN	V	1000		
Rated impulse withstand voltage U_{imp}	kV	8		
Operational frequency	min	Hz	25	
	max	Hz	400	
IEC Conventional free air thermal current I_{th}	A	350		
Operational current I_e	AC-1 ($\leq 40^\circ\text{C}$)	A	350	
	AC-1 ($\leq 55^\circ\text{C}$)	A	300	
	AC-1 ($\leq 70^\circ\text{C}$)	A	250	
	AC-3 ($\leq 440\text{V} \leq 55^\circ\text{C}$)	A	265	
	AC-4 (400V)	A	115	
Rated operational power AC-3 ($T \leq 55^\circ\text{C}$)	230V	kW	83	
	400V	kW	140	
	415V	kW	155	
	440V	kW	164	
	500V	kW	176	
	690V	kW	212	
	1000V	kW	156	
Rated operational power AC-1 ($T \leq 40^\circ\text{C}$)	230V	kW	124	
	400V	kW	214	
	500V	kW	282	
	690V	kW	380	
IEC max current I_e in DC1 with $L/R \leq 1\text{ms}$ with 1 poles in series	75V	A	350	
	110V	A	160	
	220V	A	--	
	330V	A	--	
	460V	A	--	
IEC max current I_e in DC1 with $L/R \leq 1\text{ms}$ with 2 poles in series	75V	A	350	
	110V	A	300	
	220V	A	250	
	330V	A	--	
	460V	A	--	
IEC max current I_e in DC1 with $L/R \leq 1\text{ms}$ with 3 poles in series	75V	A	350	
	110V	A	300	
	220V	A	300	

	330V	A	250
	460V	A	--
IEC max current I _e in DC1 with L/R ≤ 1ms with 4 poles in series			
	75V	A	350
	110V	A	300
	220V	A	300
	330V	A	300
	460V	A	250
IEC max current I _e in DC3-DC5 with L/R ≤ 15ms with 1 poles in series			
	75V	A	280
	110V	A	150
	220V	A	--
	330V	A	--
	460V	A	--
IEC max current I _e in DC3-DC5 with L/R ≤ 15ms with 2 poles in series			
	75V	A	280
	110V	A	250
	220V	A	200
	330V	A	--
	460V	A	--
IEC max current I _e in DC3-DC5 with L/R ≤ 15ms with 3 poles in series			
	75V	A	280
	110V	A	280
	220V	A	250
	330V	A	200
	460V	A	--
IEC max current I _e in DC3-DC5 with L/R ≤ 15ms with 4 poles in series			
	75V	A	280
	110V	A	280
	220V	A	280
	330V	A	200
	460V	A	200
Short-time allowable current for 10s (IEC/EN60947-1)		A	2200
Protection fuse			
	gG (IEC)	A	400
	aM (IEC)	A	250
Making capacity (RMS value)		A	2750
Breaking capacity at voltage			
	440V	A	2500
	500V	A	2250
	690V	A	2200
Resistance per pole (average value)		mΩ	0.2
Power dissipation per pole (average value)			
	I _{th}	W	24.5
	AC-3	W	12.5
Tightening torque for terminals			
	min	Nm	35
	max	Nm	35
	min	I _{bin}	25.8
	max	I _{bin}	25.8
Tightening torque for coil terminal			
	min	Nm	1
	max	Nm	1

	min	I _{bin}	0.74
	max	I _{bin}	0.74
Max number of wires simultaneously connectable		Nr.	2
Conductor section			
		AWG/Kcmil	
	max		500 kcmil
Power terminal protection according to IEC/EN 60529			IP00
Mechanical features			
Operating position		normal allowable	Vertical plan ±30°
Fixing			Screw
Weight		g	9115
Conductor section			
		AWG/kcmil conductor section	
	max		500 kcmil
Operations			
Mechanical life		cycles	10000000
Electrical life		cycles	1000000
Safety related data			
Performance level B10d according to EN/ISO 13489-1		rated load mechanical load	cycles 1000000 cycles 10000000
Mirror contacts according to IEC/EN 609474-4-1			yes
EMC compatibility			yes
AC coil operating			
Rated AC voltage at 50/60Hz		V	60
AC operating voltage			
		of 50/60Hz coil powered at 50Hz	
		pick-up	
	min	%U _s	80
	max	%U _s	110
		drop-out	
	min	%U _s	20
	max	%U _s	60
		of 50/60Hz coil powered at 60Hz	
		pick-up	
	min	%U _s	80
	max	%U _s	110
		drop-out	
	min	%U _s	20
	max	%U _s	60
		of 60Hz coil powered at 60Hz	
		pick-up	
	min	%U _s	80
	max	%U _s	110
		drop-out	
	min	%U _s	20
	max	%U _s	60
AC average coil consumption at 20°C			
		of 50/60Hz coil powered at 50Hz	
	in-rush	VA	300
	holding	VA	10

of 50/60Hz coil powered at 60Hz

	in-rush	VA	300
	holding	VA	10
Dissipation at holding $\leq 20^{\circ}\text{C}$ 50Hz		W	10

DC coil operating

DC rated control voltage		V	60
--------------------------	--	---	----

DC operating voltage

pick-up	min	%Us	80
	max	%Us	110

drop-out	min	%Us	20
	max	%Us	60

Average coil consumption $\leq 20^{\circ}\text{C}$

in-rush	W	300
holding	W	10

Max cycles frequency

Mechanical operation	cycles/h	2400
----------------------	----------	------

Operating times

Average time for Us control

in AC	Closing NO	min	ms	80
		max	ms	120
	Opening NO	min	ms	30
		max	ms	75

in DC	Closing NO	min	ms	80
		max	ms	120
	Opening NO	min	ms	30
		max	ms	75

UL technical data

Full-load current (FLA) for three-phase AC motor

at 480V	A	240
at 600V	A	242

Yielded mechanical performance

for three-phase AC motor

200/208V	HP	75
220/230V	HP	100
575/600V	HP	250

General USE

Contactor	AC current	A	350
-----------	------------	---	-----

Short-circuit protection fuse, 600V

Standard fault

Short circuit current	kA	18
Fuse rating	A	800
Fuse class		L

Ambient conditions

Temperature

Operating temperature

min	°C	-50
max	°C	70

Storage temperature

min	°C	-60
max	°C	80

Max altitude

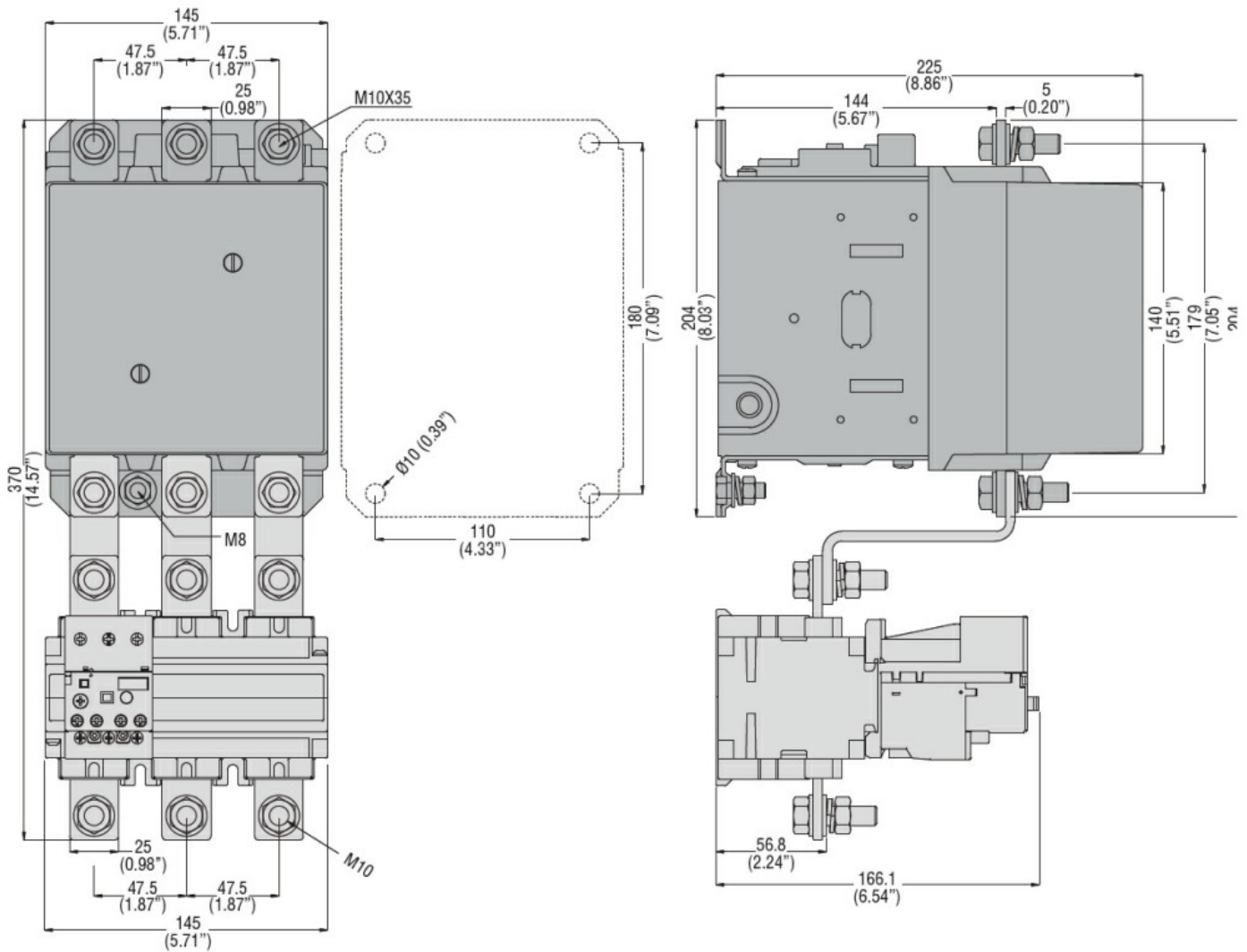
m 3000

Resistance & Protection

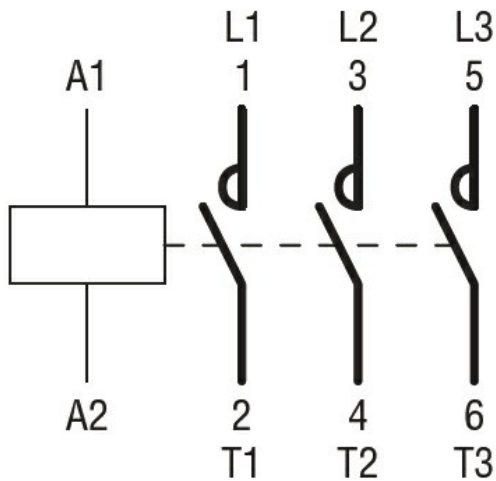
Pollution degree

3

Dimensions



Wiring diagrams



Certifications and compliance

Compliance

CSA C22.2 n° 60947-1

CSA C22.2 n° 60947-4-1

IEC/EN 60947-1

IEC/EN 60947-4-1

UL 60947-1

UL 60947-4-1

Certificates

CCC

cULus

EAC

ETIM classification

ETIM 8.0

EC000066 -
Power contactor,
AC switching