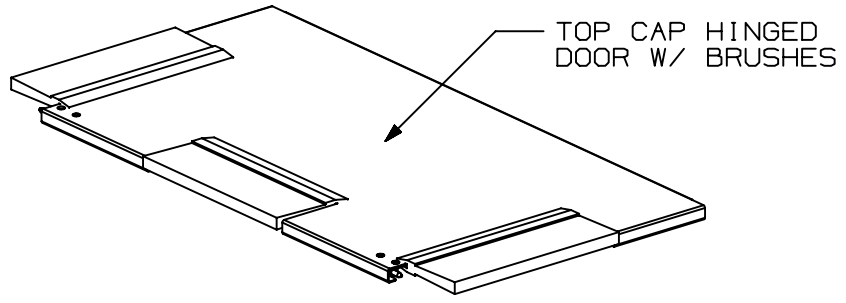


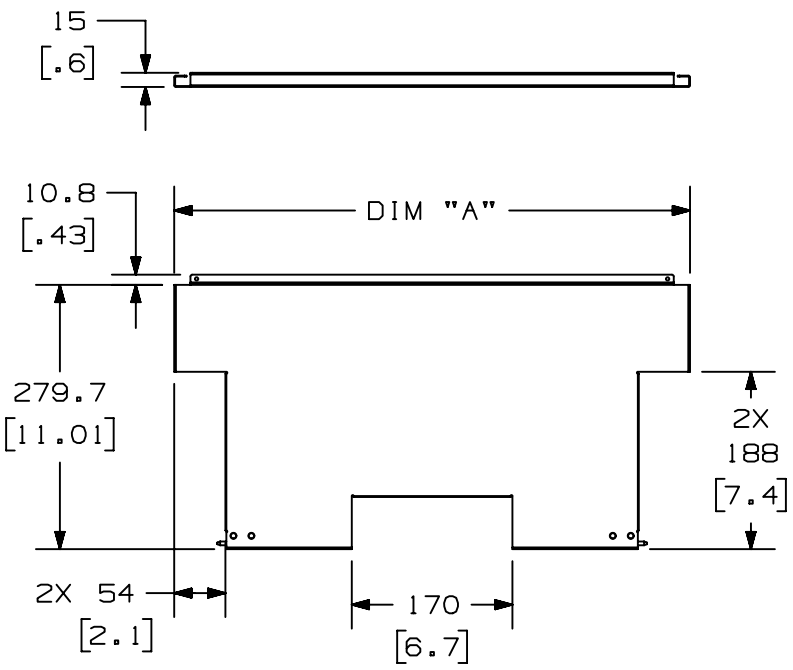
THIS COPY IS PROVIDED ON A RESTRICTED BASIS AND IS NOT TO BE USED IN ANY WAY DETRIMENTAL TO THE INTERESTS OF PANDUIT CORP.



- NOTES:
1. VISIT OUR ON-LINE CATALOG AT [WWW.PANDUIT.COM](http://WWW.PANDUIT.COM) FOR A LIST OF CURRENT PARTS APPLICABLE FOR USE WITH THIS PRODUCT.
  2. PRIMARY DIMENSIONS ARE IN MILLIMETERS.
  3. PARTS SUPPLIED:  
 (1) TOP CAP HINGED DOOR W/ BRUSHES  
 (1) INSTALLATION INSTRUCTIONS (NOT SHOWN)

PART NO.	DESCRIPTION	DIM "A"	WEIGHT
XG-TCR6*	FLEXFUSION 600mm TOP CAP REAR DOOR	546 [ 21.5 ]	1.3 Kg/EACH 2.9 LBS/EACH
XG-TCR7*	FLEXFUSION 700mm TOP CAP REAR DOOR	646 [ 25.4 ]	1.6 Kg/EACH 3.4 LBS/EACH
XG-TCR8*	FLEXFUSION 800mm TOP CAP REAR DOOR	746 [ 29.4 ]	1.8 Kg/EACH 4.0 LBS/EACH

\* DENOTES COLOR  
 ADD SUFFIX "B" FOR BLACK AND "W" FOR WHITE.



\*NOTE: BRUSHES REMOVED FOR CLARITY.

TITLE		FLEXFUSION TOP CAP REAR DOOR (XG-TCR6*, XG-TCR7* & XG-TCR8*)	
ITEM REVISION NAME		00463NGG/00	
DATASET FILE NAME		00463NGG_DC/00A	
MATERIAL:		N/A	
DRAWING NUMBER:		00463NGG-DC	
THIRD ANGLE PROJECTION			
DRAWN BY	DATE	CHK	SCALE
MEX-JAGC	2/17/21	MSH	NONE
REV	DATE	BY	CHK
00A	2/17/21	MEX-JAGC	MSH
DESCRIPTION		DRAWING RELEASE	
ECN		V09002EM/02	
SHT 1 OF 1		A	

XGLOBAL\_ASIZE