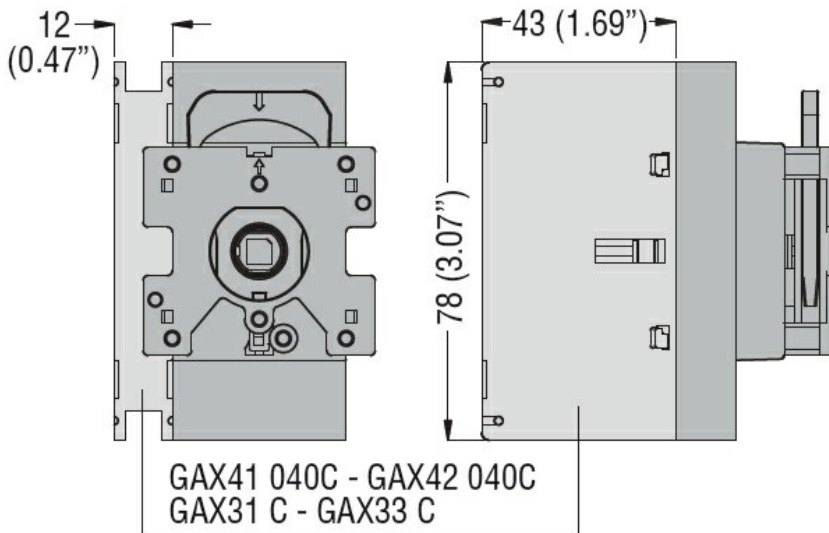




Number of poles	Nr.	1
Operating voltage type		AC
<b>Contact characteristics</b>		
IEC Conventional free air thermal current I <sub>th</sub>	A	40
<b>Mechanical features</b>		
Tightening torque for terminals	min	Nm 1.8
	max	Nm 2
	min	lbin 16
	max	lbin 18

**Dimensions**



**Wiring diagrams**



**Certifications and compliance**

Compliance	CSA C22.2
	IEC/EN 60947-1
	IEC/EN 60947-3

---

UL508

---

UL98

Certifications

---

CCC

---

CSA C22.2 n°14

---

cULus according to UL508

---

EAC

ETIM classification

ETIM 8.0

EC002498 -  
Accessories/spare  
parts for low-  
voltage switch  
technology