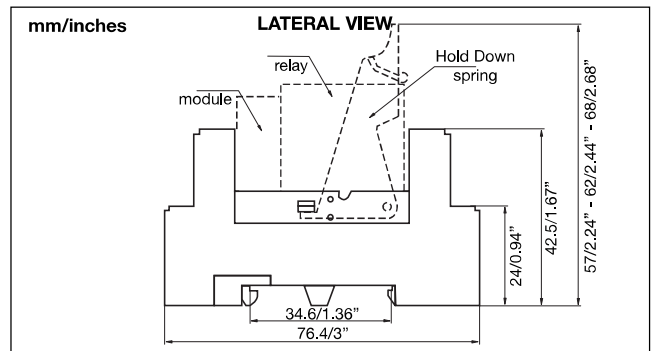
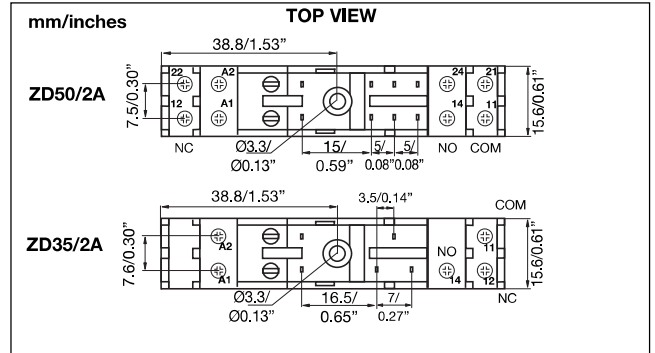


## Sockets for Miniature Relays

### ZD 35/2A ZD 50/2A



## General data

Plastic Material	PA66 +GF – V2
Contact Material	Cu Ni
Contact surface	5µm tin plated
Terminals	8µm zinc plated steel
Terminal type	Screw cage
Screws	5µm nickel plated 8.8 steel
Screw type	M3 with combi head (slotted, Philips Gr.1, Pozi)
Ratings @ 300VAC	12A (ZD 35/2A) 10A x 2 (ZD 50/2A)
UL Rating 300VAC	12A (ZD 35/2A) 10A x 2 (ZD 50/2A)

Operating temp.	-25° to +85°C (-13° to +185°F)
Standard colour	RAL 7035 / Pantone Grey 1C
Insulation voltage	4000V
Between Coil and Contacts	2500V
Between Contacts	
Creepage and Clearance	Gr.C250, VDE 0110b / 2.79
Maximum Screw torque	1N/m
Max Wire section	
Flex / compact wire	0.5-2.5mm <sup>2</sup> (20AWG-14AWG)
Cable End	2 x 1.5mm <sup>2</sup> (16AWG)
Terminal Protection degree	IP 20 (EN60529)

Note:  
Hold down spring not included, remember to order proper one.

Relay Type	Socket P.N.	Hold Down Spring
MZ 100/001 16A MZ 200/002	ZD 50/2A	SZD 25
MZ 100/001 5/10A	ZD 35/2A	SZD 25

## Approvals



Box content: 20 sockets, 20 labels  
Box size: (W 185 x D 160 x H 50) Weight: ~800g  
(W 7.28 x D 6.30 x H 1.97) inches Weight: ~28.2oz

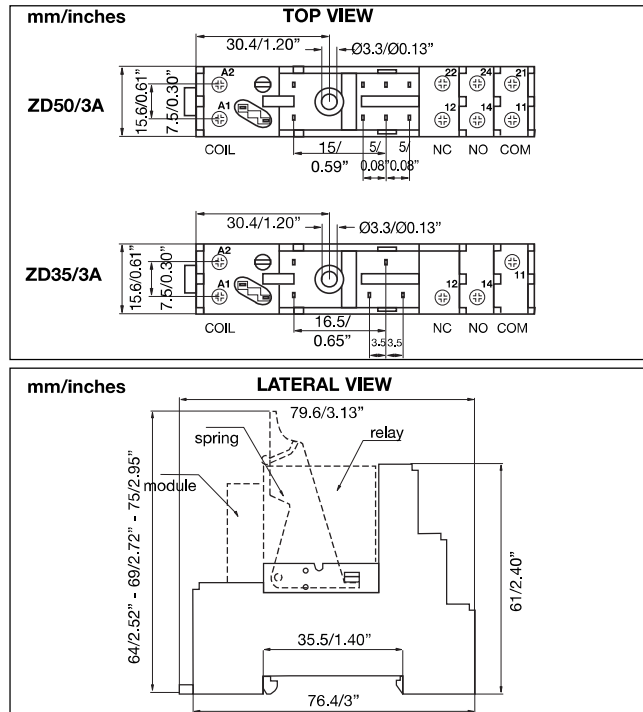
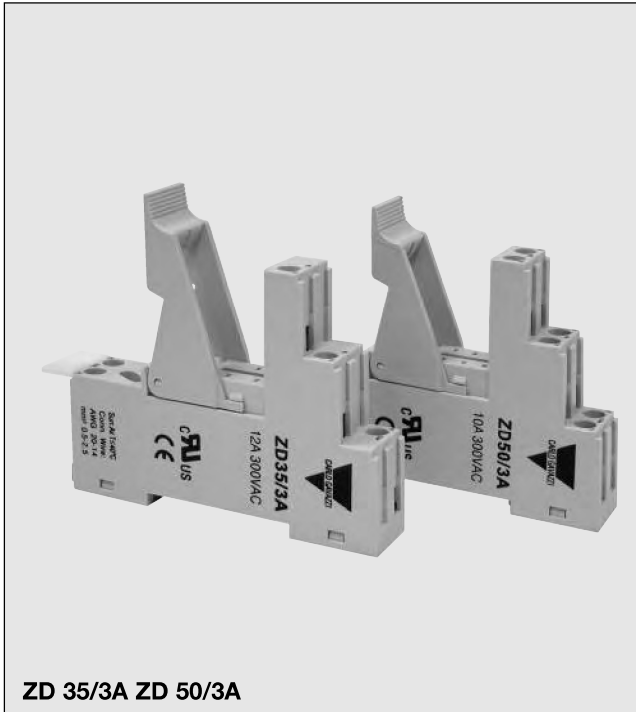
## Optional Accessories (to be ordered separately if required)

Labels	6.73.00.61.2
Bridging bar	ZD-BB (see on page 103)
Modules	(see on page 97)
Hold Down Springs	(see on page 102)

Specifications are subject to change without notice. Pictures are just an example. For special features and/or customization, please ask to our sales network.

## Sockets for Miniature Relays

### ZD 35/3A ZD 50/3A



## General data

Plastic Material	PA66 +GF - V2
Contact Material	Cu Ni
Contact surface	5µm tin plated
Terminals	8µm zinc plated steel
Terminal type	Screw cage
Screws	5µm nickel plated 8.8 steel
Screw type	M3 with combi head (slotted, Philips Gr.1, Pozi)
Ratings @ 300VAC	12A (ZD 35/3A) 10A x 2 (ZD 50/3A)
UL Rating 300VAC	12A (ZD 35/3A) 10A (ZD 50/3A)

Operating temp.	-25° to +85°C (-13° to +185°F)
Standard colour	RAL 7035 / Pantone Grey1C
Insulation voltage	Between Coil and Contacts Between Contacts
Creepage and Clearance	Gr.C250, VDE 0110b / 2.79
Maximum Screw torque	1N/m
Max Wire section	Flex / compact wire Cable End
Terminal Protection degree	IP 20 (EN60529)

Note:  
Hold down spring not included, remember to order proper one.

Relay Type	Socket P.N.	Hold Down Spring
MZ 100/001 16A MZ 200/002	ZD 50/3A	SZD 25
MZ 100/001 5/10A	ZD 35/3A	SZD 25

## Approvals



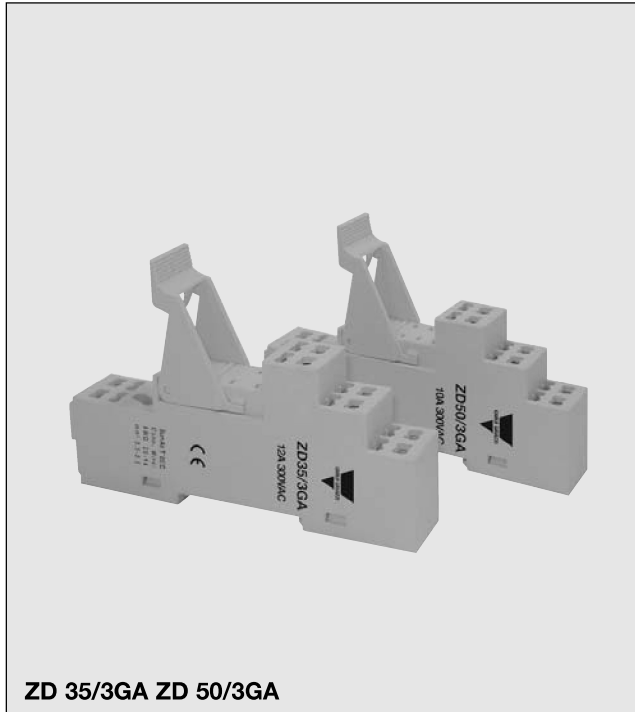
Box content: 20 sockets, 20 labels	
Box size: (W 185 x D 165 x H 70) mm	Weight: ~950g
(W 7.28 x D 6.50 x H 2.75) inches	Weight: ~33.5oz

## Optional Accessories (to be ordered separately if required)

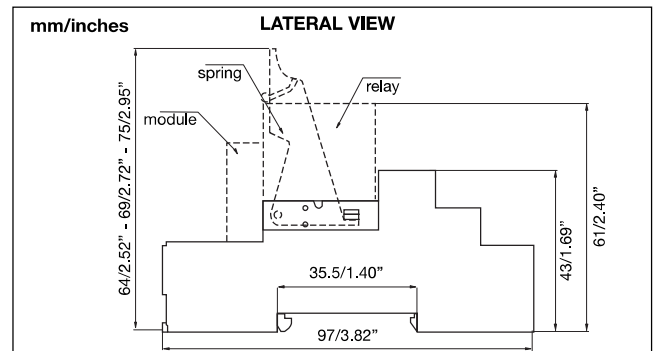
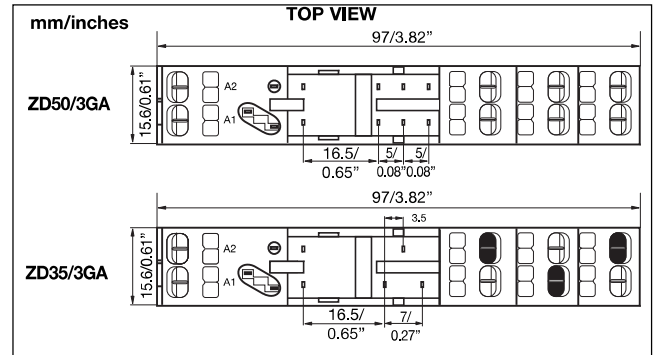
Labels	6.73.00.61.3
Bridging bar	ZD-BB (see on page 103)
Modules	(see on page 97)
Hold Down Springs	(see on page 102)

## Screwless Sockets for Miniature Relays

### ZD 35/3GA ZD 50/3GA



ZD 35/3GA ZD 50/3GA



### General data

Plastic Material	PA66 +GF – V0
Contact Material	CuSn
Contact surface	5µm tin plated
Terminals	8µm zinc plated steel
Terminal type	Spring loaded terminal
Springs terminal	to be opened with a Ø2.5mm/0.10" screwdriver
Ratings @ 300VAC	10A (ZD 35/3GA) 10A x 2 (ZD 50/3GA)
Operating temp.	-25° to +85°C (-13° to +185°F)
Standard colour	RAL 7035 / Pantone Grey1C

Insulation voltage	Between Coil and Contacts Between Contacts	4000V 2500V
Creepage and Clearance		Gr.C250, VDE 0110b / 2.79
Max Wire section	Flex / compact wire Cable End	0.5-2.5mm <sup>2</sup> (20AWG-14AWG) 2 x 1.5mm <sup>2</sup> (16AWG)
Terminal Protection degree		IP 20 (EN60529)

Note:  
Hold down spring not included, remember to order proper one.

Relay Type	Socket P.N.	Hold Down Spring
MZ 100/001 16A MZ 200/002	ZD 50/3GA	SZD 25
MZ 100/001 5/10A	ZD 35/3GA	SZD 25

### Approvals



Box content: 20 sockets, 20 labels  
Box size: (W 185 x D 165 x H 70) mm Weight: ~950g  
(W 7.28 x D 6.50 x H 2.75) inches Weight: ~33.5oz

### Optional Accessories (to be ordered sepately if required)

Labels	6.73.00.61.2
Modules	(see on page 97)
Hold Down Springs	(see on page 102)