

# MULTIVERT® 400A & i-Xtensio 400A

Size 2, 690VAC

## IEC FUSE SWITCH DISCONNECTORS

### NH VERTICAL FUSE SWITCH DISCONNECTOR



MULTIVERT® NH vertical fuse switch disconnectors meet all functions of NH fuse switch disconnectors. They are designed for installation on to bus bars in triple pole arrangements.

MULTIVERT® 400A are for installation on to 185mm bus bar systems.

MULTIVERT® 400A are designed for NH fuse-links in accordance with IEC/EN 60269-2, VDE 0636-2, size 1 and 2, up to 400A..

The system is a modular system, that allows the installation of individual components. MULTIVERT® offer the user the possibility of fast and easy installation as well as a high degree of protection during installation and maintenance.

2 alternative designs are available for a user-friendly and adaptable installation according to the needs:

- The standard design offers a very compact solution with an installation depth of only 123mm, enabling to save space in the Power distribution cabinets

- The i-Xtensio design offers a user-friendly mounting solution for current transformers at the back of the Multivert and more standard installation depth of 150mm

## TECHNICAL DATA OVERVIEW

Voltage AC	690 VAC
Amper (A)	400 A
Size per Standard	2
SCCR	Ue = AC 400 V; Ie = 400 A 120kA Ue = AC 500 V; Ie = 400 A 120kA Ue = AC 690 V; Ie = 315 A 120kA Ue = AC 690 V; Ie = 400 A 100kA
Mounting	bus bar system 185 mm
Switchability	1 x triple pole, 3 x single pole
Number of poles	3

## FEATURES & BENEFITS

- Installation on to 185 mm bus bar system  
Standard design with M 12 screws: M = 35 ±3Nm  
Direct installation without drilling with hooked clamps possible
- Symmetrical switch - top/bottom cable terminal connection
- Touch protection IP 30 with central cover
- Varieties of cable termination: bolt, insert nut, V-terminal
- Integrated measuring transformer with unchanged installation depth
- Safe on load connection/disconnection in accordance with IEC 60947-3
- i-Xtensio new range available for increased installation depth of 150mm and for external Current Transformer mounting possibility

## APPLICATIONS

- Feeder pillars
- Transformer substations
- Switch boards for industrial applications
- Residential and industrial distribution units
- Cable distribution cabinets

## STANDARDS

- IEC/EN 60 947-3  
For NH-fuse links size 1 and 2 in accordance with IEC/EN 60 269-2, VDE 0636-2



# MULTIVERT® 400A & i-Xtensio 400A

Size 2, 690VAC

## FLEXIBLE MULTIVERT OFFERING

2 alternative designs are available for an adaptable mounting solution according to the installation needs:



Multivert standard design offers a compact solution with an installation space of only 123mm, enabling to save space



Multivert i-Xtensio design offers a user-friendly mounting solution for current transformers at the back of the Multivert and more standard installation depth of 150mm

### MAIN TECHNICAL DIFFERENCES OVERVIEW:

Range	Multivert size 1,2 & 3	Multivert i-Xtensio size 2 & 3
Installation depth of product between busbar and central cover	123mm	150mm
Total dimensions - HxWxD Single pole switching version	685x100x158mm	685x100x185mm
Current Transformers utilization	Integrated CTs - specific Multivert references with Factory pre-mounted Current Transformers to be ordered	External Current Transformers can be ordered and installed separately according to needs
Specific Accessories offering	Adjustment accessories for compatibility of Multivert 00 with Multivert size 1, 2 & 3 (depth adapter, height adjustment cover)	- Complete range of CTs - Mounting accessories for the CTs (CT covers, Wiring kits) - Adaptation accessories for Multivert 00 compatibility with i-Xtensio design (depth adapter, height adaptation cover)

# MULTIVERT® 400A & i-Xtensio 400A

Size 2, 690VAC

## PRODUCT RANGE

### MULTIVERT® 400 A size 2 185 mm 3 x single pole switching



1.200.000

Catalog number	Item number	Cable termination components	Design	Package	Weight
1.200.000	J1002187	3 M12 bolts	-	1 piece	4.6 kg
1.210.000	Z1023200	3 M12 insert nuts	-	1 piece	4.52 kg
1.220.000	A1023201	V-terminal for V-terminal clamps size 1,2,3	-	1 piece	4.38 kg
1.220.900	B1023202	V-terminal, 2 terminals per phase for V-terminal clamps size 1,2,3	-	1 piece	5.45 kg
1.200.100	Y1023199	3 M12 bolts	MULTIVERT® 1.200.000 with cabling of instrument leads for indication facilities	1 piece	5.1 kg
1.200.084	E1023205	3 M12 bolts	MULTIVERT® 1.200.000 with integrated C.T. 400/5A, 3,75 VA, class 1 for single pole measurement (ready fitted in pole 1)	1 piece	4.7 kg
1.200.064	C1023203	3 M12 bolts	MULTIVERT® 1.200.000 with integrated C.T. 400/5A, 3,75 VA, class 0,5; calibrated, for single pole measurement (ready fitted in pole 1)	1 piece	4.7 kg
1.200.094	F1023206	3 M12 bolts	MULTIVERT® 1.200.000 with integrated C.T. 400/5A, 3,75 VA, class 1 for triple pole measurement	1 piece	5.4 kg
1.200.074	D1023204	3 M12 bolts	MULTIVERT® 1.200.000 with integrated C.T. 400/5A, 3,75 VA, class 0,5; calibrated, for triple pole measurement	1 piece	4.7 kg
1.230.000	T1023218	M12 bus bar terminal	MULTIVERT® with lateral bus bar terminals bus bar coupler switch cable terminal connection to right or left side possible	1 piece	4.46 kg

### MULTIVERT® i-Xtensio 400 A size 2 185 mm 3 x single pole switching



7.200.000

Catalog number	Item number	Cable termination components	Design	Package	Weight
7.200.000	P1200130	3 M12 bolts	-	1 piece	5.1 kg
7.210.000	Q1200131	3 M12 insert nuts	-	1 piece	5.1 kg
7.220.000	R1200132	V-terminal for V-terminal clamps size 1,2,3	-	1 piece	5.1 kg

# MULTIVERT® 400A & i-Xtensio 400A

Size 2, 690VAC

## PRODUCT RANGE

### MULTIVERT® 400 A size 2 185 mm 1 x triple pole switching



1.250.000 1.270.000



1.270.094 rear

Catalog number	Item number	Cable termination components	Design	Package	Weight
1.250.000	M1002190	3 M12 bolts	-	1 piece	4.76 kg
1.260.000	G1023207	3 M12 insert nuts	-	1 piece	4.68 kg
1.270.000	H1023208	V-terminal for V-terminal clamps size 1,2,3	-	1 piece	4.78 kg
1.270.600	K1023210	V-terminal + 3 V-terminal clamps size 1,2,3	-	1 piece	4.7 kg
1.270.900	L1023211	V-terminal, 2 terminals per phase for V-terminal clamps size 1,2,3	-	1 piece	6.08 kg
1.250.100	X1002199	3 M12 bolts	MULTIVERT® 1.250.000 with cabling of instrument leads for indication facilities	1 piece	5.2 kg
1.270.100	J1023209	V-terminal for V-terminal clamps size 1,2,3	MULTIVERT® 1.270.000 with cabling of instrument leads for indication facilities	1 piece	5.1 kg
1.250.084	P1023214	3 M12 bolts	MULTIVERT® 1.250.000 with integrated C.T. 400/5A, 3,75 VA, class 1 for single pole measurement (ready fitted in pole 1)	1 piece	4.9 kg
1.250.064	M1023212	3 M12 bolts	MULTIVERT® 1.250.000 with integrated C.T. 400/5A, 3,75 VA, class 0,5; calibrated, for single pole measurement (ready fitted in pole 1)	1 piece	4.9 kg
1.250.094	Q1023215	3 M12 bolts	MULTIVERT® 1.250.000 with integrated C.T. 400/5A, 3,75 VA, class 1 for triple pole measurement	1 piece	5.6 kg
1.250.074	N1023213	3 M12 bolts	MULTIVERT® 1.250.000 with integrated C.T. 400/5A, 3,75 VA, class 0,5; calibrated, for triple pole measurement	1 piece	4.9 kg
1.270.094	S1023217	V-terminal for V-terminal clamps size 1,2,3	MULTIVERT® 1.270.000 with integrated C.T. 400/5A, 3,75 VA, class 1 for triple pole measurement	1 piece	5.41 kg
1.270.074	R1023216	V-terminal for V-terminal clamps size 1,2,3	MULTIVERT® 1.270.000 with integrated C.T. 400/5A, 3,75 VA, class 0,5; calibrated, for triple pole measurement	1 piece	4.9 kg
1.280.000	V1023219	M12 bus bar terminal	MULTIVERT® with lateral bus bar terminals bus bar coupler switch cable terminal connection to right or left side possible	1 piece	4.53 kg

### MULTIVERT® i-Xtensio 400 A size 2 185 mm 1 x triple pole switching



7.250.000

Catalog number	Item number	Cable termination components	Design	Package	Weight
7.250.000	S1200133	3 M12 bolts	-	1 piece	5.6 kg
7.260.000	T1200134	3 M12 insert nuts	-	1 piece	5.6 kg
7.270.000	W1200136	V-terminal for V-terminal clamps size 1,2,3	-	1 piece	5.6 kg

# MULTIVERT® 400A & i-Xtensio 400A

Size 2, 690VAC

## TECHNICAL DATA IN ACCORDANCE WITH EN / IEC 60947

	<b>400 A &amp; i-Xtensio 400A 3 x single pole switching</b>	<b>400 A &amp; i-Xtensio 400A 1 x triple pole switching</b>
Number of poles/phases	3	3
Size	2	2
Conventional free air thermal current with NH-fuse links $I_{th}$	400 A	400 A
Max. power dissipation of fuse links $P_n$	34 W	34 W
Conventional free air thermal current with solid links $I_{th}$	630 A	630 A
Max. power dissipation of solid links $P_n$	9 W	9 W
Rated operational voltage $U_e$	690 V	690 V
Utilization category to IEC/EN 60947-3 $U_e = AC 400 V; I_e = 400 A$ $U_e = AC 500 V; I_e = 400 A$ $U_e = AC 690 V; I_e = 400 A$	AC 23 B AC 22 B AC 21 B	AC 23 B AC 22 B AC 21 B
Rated insulation voltage $U_i$	1000 V	1000 V
Rated impulse withstand voltage $U_{imp}$	12 kV	12 kV
Rated frequency	50 ... 60 Hz	50 ... 60 Hz
Degree of protection	IP 30	IP 30
Degree of pollution	3	3
Rated duty	uninterrupted duty	uninterrupted duty
Rated short circuit making capacity with solid links $I_{cm}$	16 kA <sub>sw</sub>	16 kA <sub>sw</sub>
Rated short-time withstand current $I_{cw}$	8 kA / 1 s	8 kA / 1 s
Rated conditional short-circuit current with fuse links $U_e = AC 400 V; I_e = 400 A$ $U_e = AC 500 V; I_e = 400 A$ $U_e = AC 690 V; I_e = 315 A$ $U_e = AC 690 V; I_e = 400 A$	120 kA 120 kA 120 kA 100 kA	120 kA 120 kA 120 kA 100 kA
Power dissipation by $I_{th}$ without NH-fuse links	61 W	61 W
Power dissipation by $I_{th}$ 630A without solid links	151 W	151 W
<b>Cable terminal connection</b>		
Standard cable terminal	M12	M12
for cable lugs Cu max.	300 mm <sup>2</sup>	300 mm <sup>2</sup>
for cable lugs Al max.	300 mm <sup>2</sup>	300 mm <sup>2</sup>
for copper bars with max. dimensions	40 x 10 mm	40 x 10 mm
V-shaped lugs for V-terminal clamps	35 - 240 mm <sup>2</sup>	35 - 240 mm <sup>2</sup>
<b>Bus bar terminal connection</b>		
Standard bus bar terminal	M12	M12
Hooked clamp for bus bar with thickness	5 ... 10 mm	5 ... 10 mm
Hooked clamp mounting possibility	Not possible for MULTIVERT i-Xtensio	Not possible for MULTIVERT i-Xtensio
Bus bar system	185 mm	185 mm
Installation mode	bus bar installation	bus bar installation

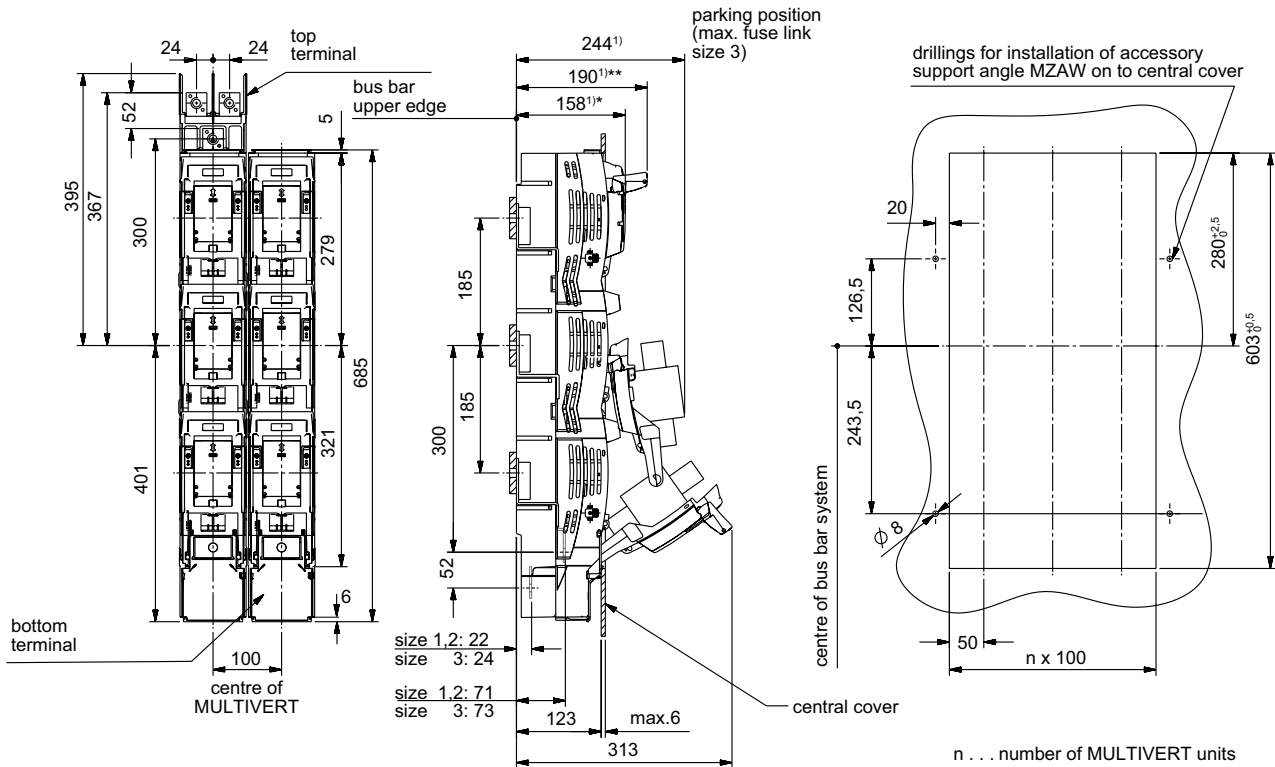
# MULTIVERT® 400A & i-Xtensio 400A

Size 2, 690VAC

## DIMENSIONS

**MULTIVERT® 250A, 400A, 630A NH-vertical fuse switch disconnecter, 3 x single pole switching**  
**direct installation with screws on to 185mm bus bar system**

(M01152b)



1) dimension from upper edge of bus bar

- \* 158 mm handle in closed position (folded) = total installation depth of MULTIVERT
- \*\* 190 mm handle in open position (fixed) = switching position

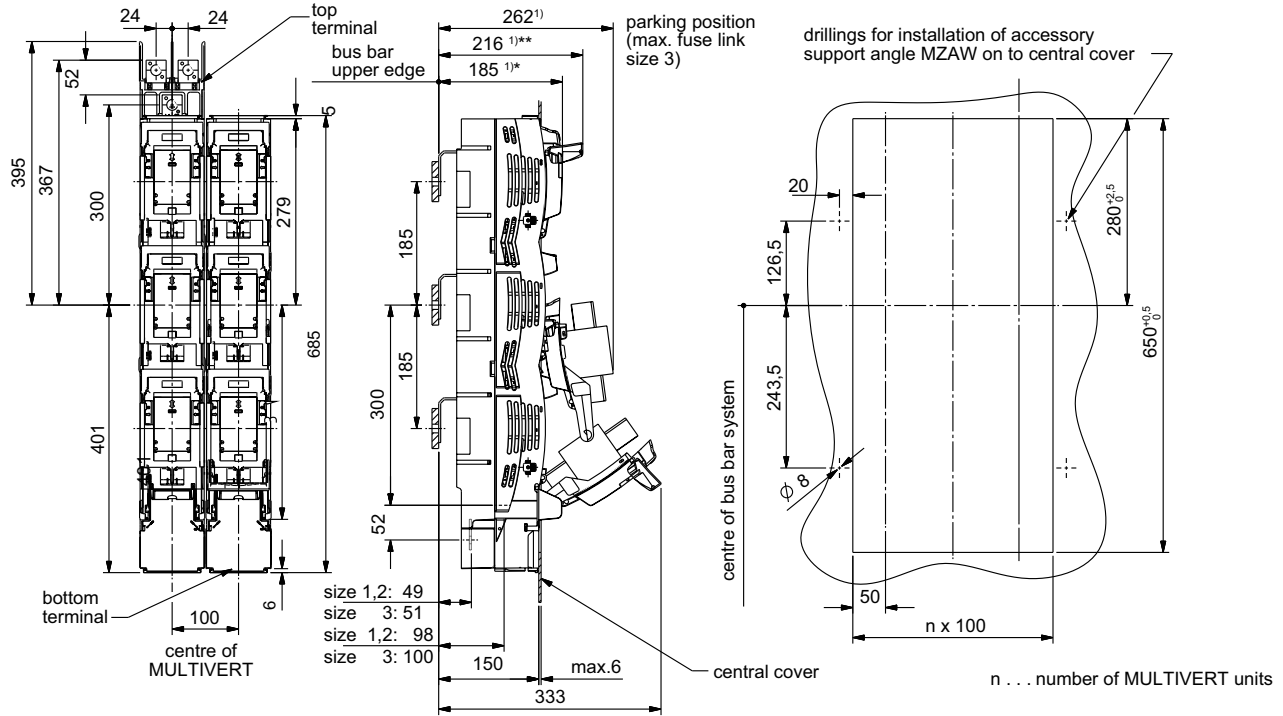
Dimensions in mm

# MULTIVERT® 400A & i-Xtensio 400A

Size 2, 690VAC

## DIMENSIONS

**MULTIVERT® i-Xtensio 400 A size 2 185 mm 3 x single pole switching (M01210)**



Dimensions in mm

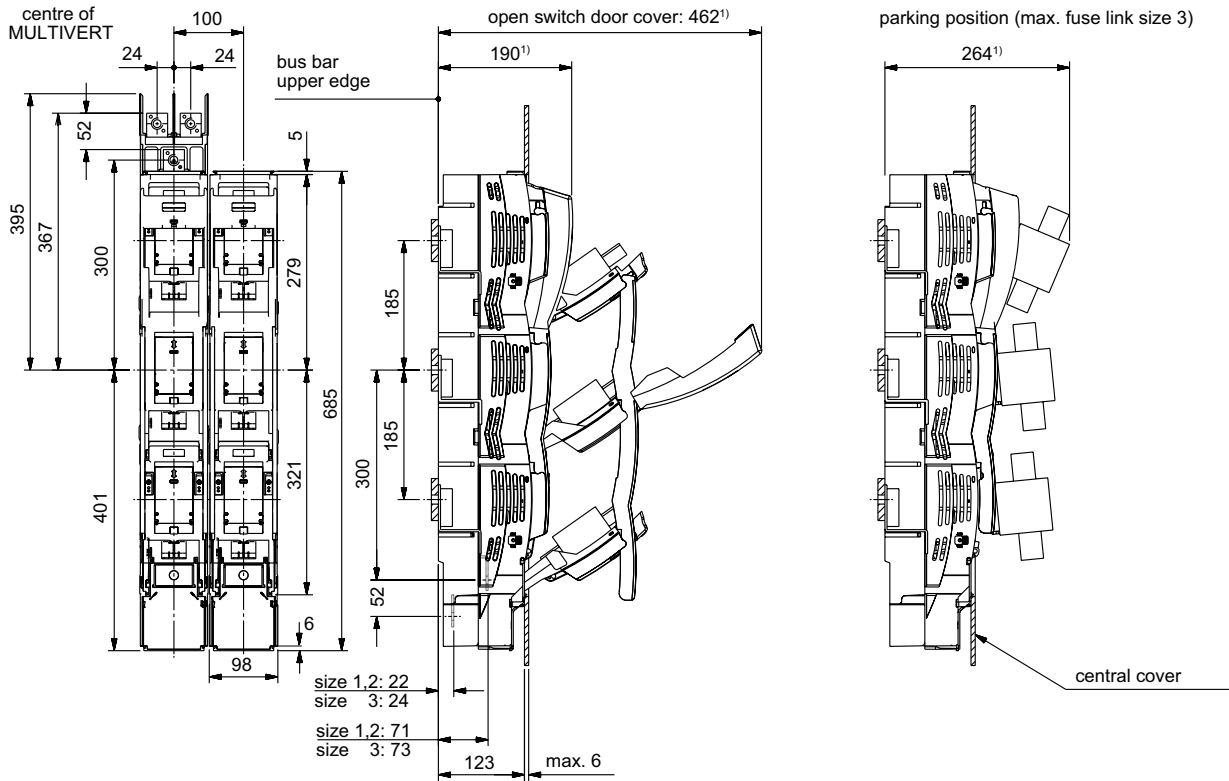
# MULTIVERT® 400A & i-Xtensio 400A

Size 2, 690VAC

## DIMENSIONS

**MULTIVERT® 250A, 400A, 630A NH-vertical fuse switch disconnecter, 1 x triple pole switching**  
**direct installation with screws on to 185mm bus bar system**

(M01153b)



1) dimension from upper edge of bus bar

Dimensions in mm

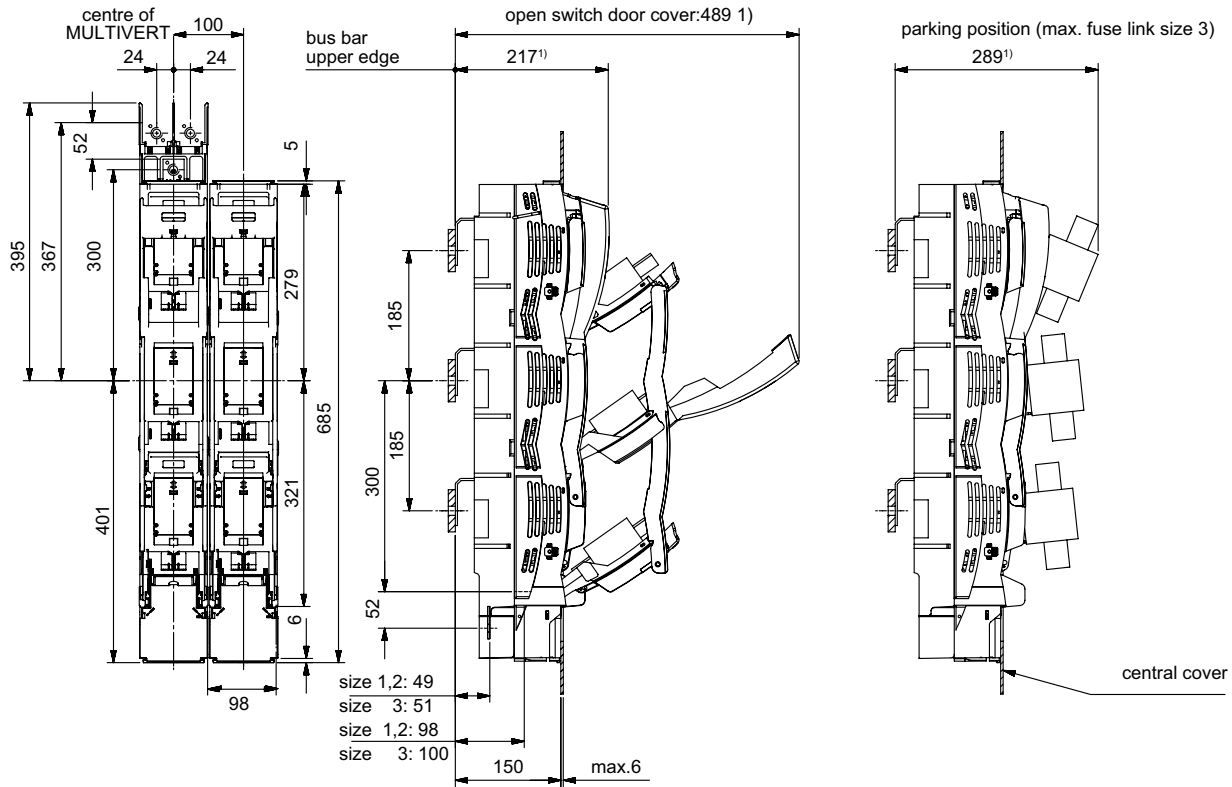


# MULTIVERT® 400A & i-Xtensio 400A

Size 2, 690VAC

## DIMENSIONS

**MULTIVERT® i-Xtensio 400 A size 2 185 mm 1 x triple pole switching** (M01211)



Dimensions in mm

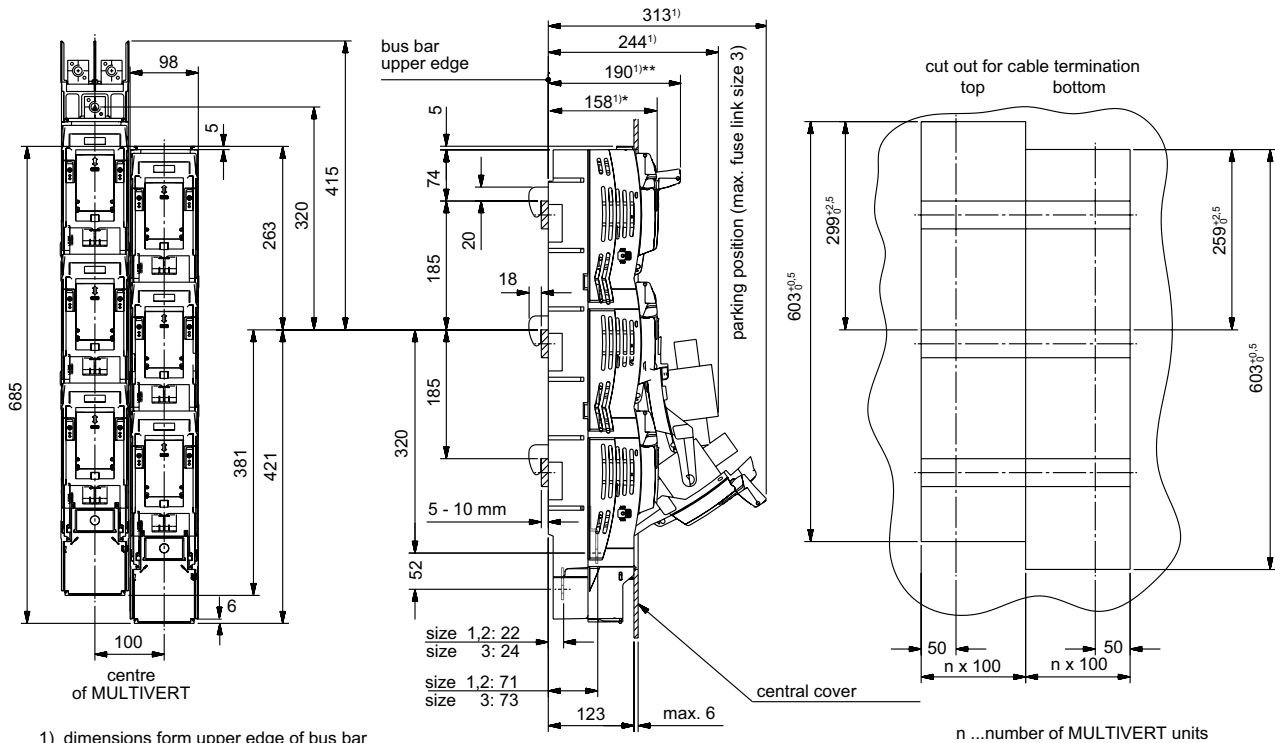
# MULTIVERT® 400A & i-Xtensio 400A

Size 2, 690VAC

## DIMENSIONS

**MULTIVERT® 250A, 400A, 630A NH-vertical fuse switch disconnecter, 3 x single pole switching**  
**direct installation without drilling with hooked clamps on to 185mm bus bar system**

(M01154b)



Dimensions in mm

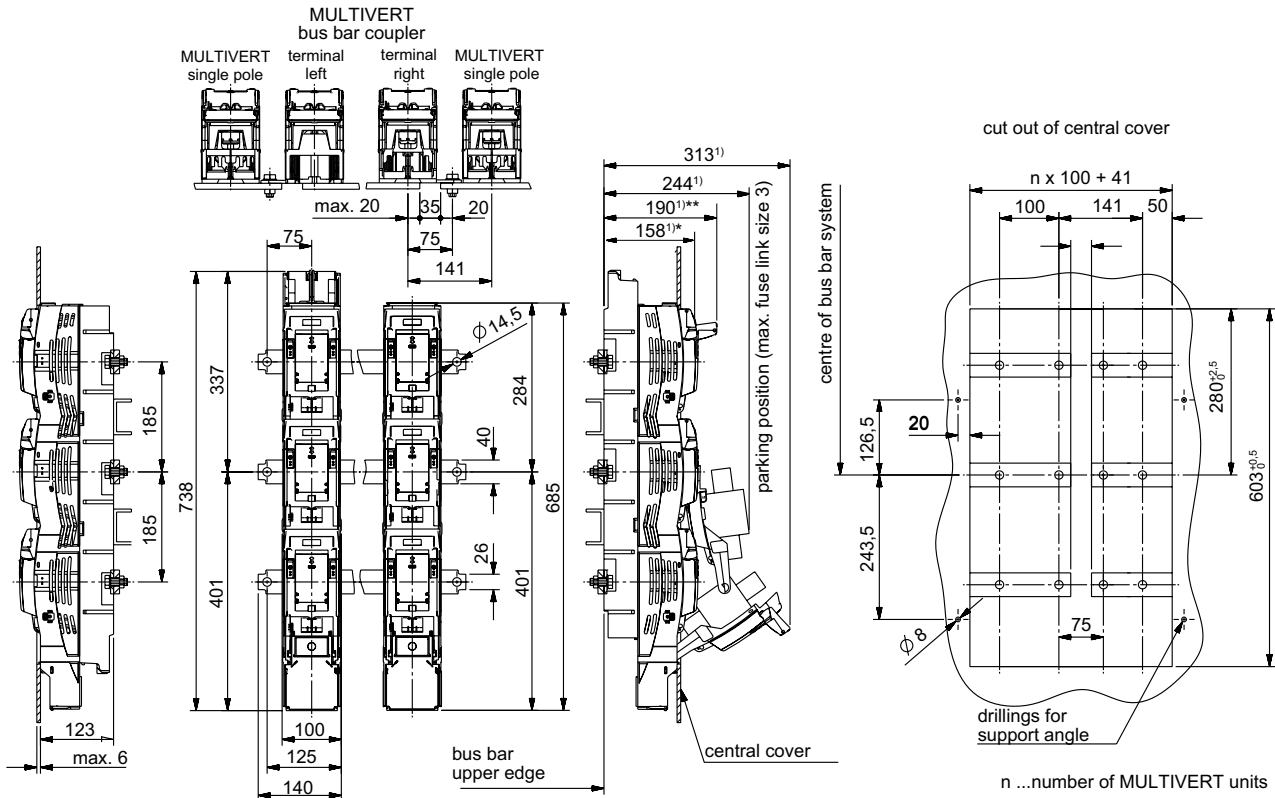
# MULTIVERT® 400A & i-Xtensio 400A

Size 2, 690VAC

## DIMENSIONS

**MULTIVERT® 250A, 400A, 630A bus bar coupler switch with lateral terminals**  
**3 x single pole switching**

(M01159a)



1) dimensions form upper edge of bus bar

\* 158 mm handle in closed position (folded) = total installation depth of MULTIVERT  
 \*\* 190 mm handle in open position (fixed) - switching position

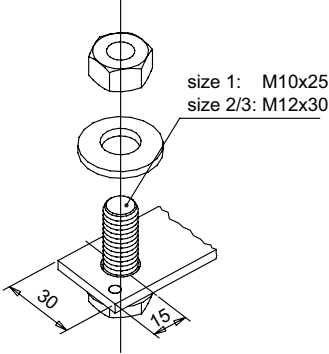
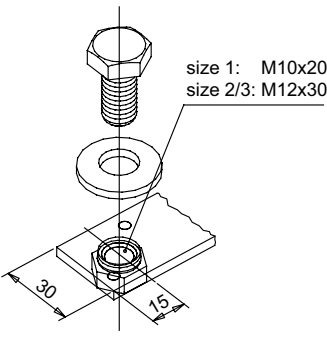
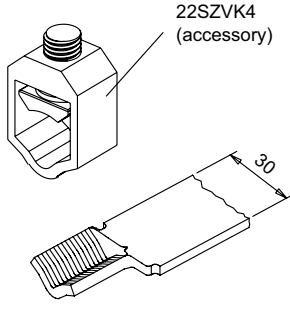
Dimensions in mm

# MULTIVERT® 400A & i-Xtensio 400A

Size 2, 690VAC

## DIMENSIONS

### Cable termination MULTIVERT® 250A, 400A, 630A & i-Xtensio 400A, 630A (M01105b)

reference	B	E	V	
type of terminal	bolt	insert nut	V-terminal	
accessory	cable lug max. width 45 mm	cable lug max. width 45 mm	V-clamp (accessory) 22SZVK4   22SZVK41	
cross section [mm²]	max. 300	max. 300	50 - 240 sectoral solid 50 - 185 sectoral stranded 35 - 70 round stranded 35 - 50 round solid	95 - 300 sectoral solid 70 - 240 sectoral stranded 50 - 185 round stranded 70 - 240 round solid
M [Nm]	35 ±3	35 ±3	25 ±2	25 ±2
	 <p>size 1: M10x25 size 2/3: M12x30</p>	 <p>size 1: M10x20 size 2/3: M12x30</p>	 <p>22SZVK4 (accessory)</p>	

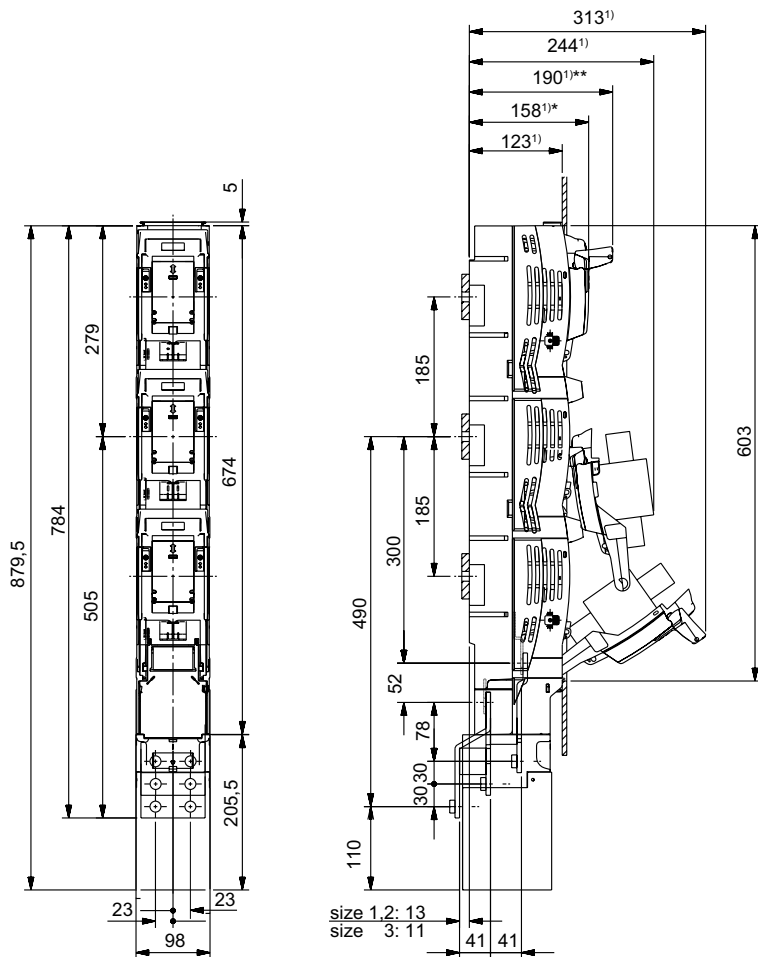
Dimensions in mm

# MULTIVERT® 400A & i-Xtensio 400A

Size 2, 690VAC

## DIMENSIONS

Cable termination MULTIVERT® 250A, 400A, 630A multiple termination (M01156a)



1) dimensions form upper edge of bus bar

\* 158 mm handle in closed position (folded) = total installation depth of MULTIVERT  
\*\* 190 mm handle in open position (fixed) - switching position

Dimensions in mm

# MULTIVERT® 400A & i-Xtensio 400A

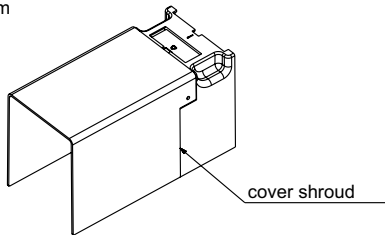
Size 2, 690VAC

## DIMENSIONS

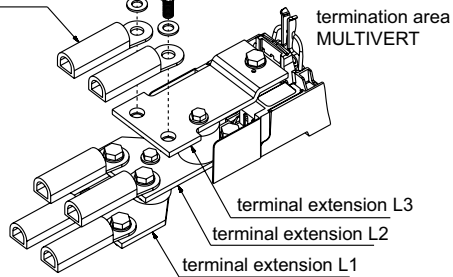
### Cable termination MULTIVERT® 250A, 400A, 630A multiple termination (MA88f)

terminal: 2 cable lugs

Cu: up to max. 300 mm<sup>2</sup> round stranded, sectoral stranded cable lugs in accordance with DIN 46235  
 Al: up to max. 300 mm<sup>2</sup> round stranded, sectoral stranded cable lugs in accordance with DIN 46329  
 M: 32-38 Nm



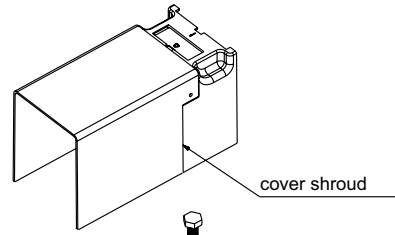
cable lugs in accordance with DIN 46235 and DIN 46329 max. width 46 mm



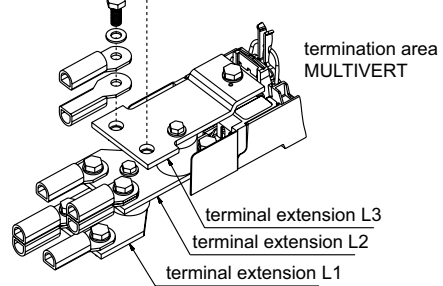
NOTE:  
 Due to safety precautions we suggest to insulate the cable lugs (185, 240 und 300 mm<sup>2</sup>).

terminal: 3 cable lugs

Cu: up to max. 150 mm<sup>2</sup> round stranded, sectoral stranded cable lugs in accordance with DIN 46235  
 M: 32-38 Nm

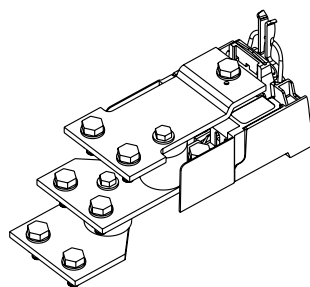


cable lug in accordance with DIN 46235



NOTE:  
 Due to safety precautions we suggest to insulate the cable lugs (95, 120 und 150 mm<sup>2</sup>).

Position of terminals



tightening torque of screws: 32 - 38 Nm

Dimensions in mm

# MULTIVERT® 400A & i-Xtensio 400A

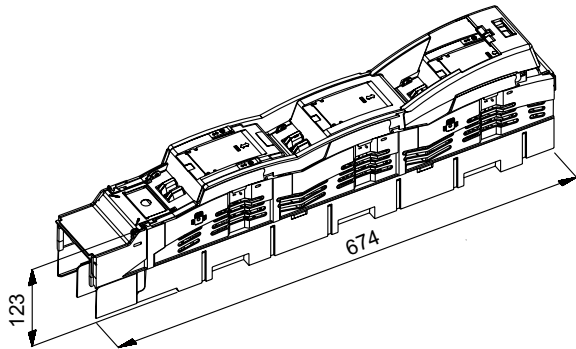
Size 2, 690VAC

## DIMENSIONS

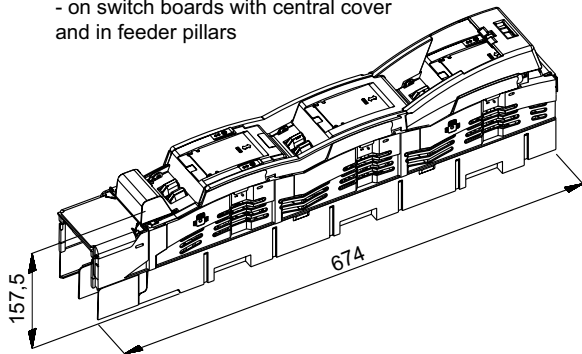
### Cover shrouds for cable termination bottom terminal MULTIVERT® 250A, 400A, 630A (M01160a-1)

#### standard design: integrated shroud for bottom cable termination

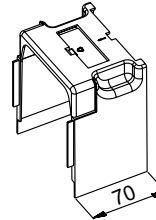
for terminal connections with cable lugs (bolt and insert nut)  
- on switch boards with central cover



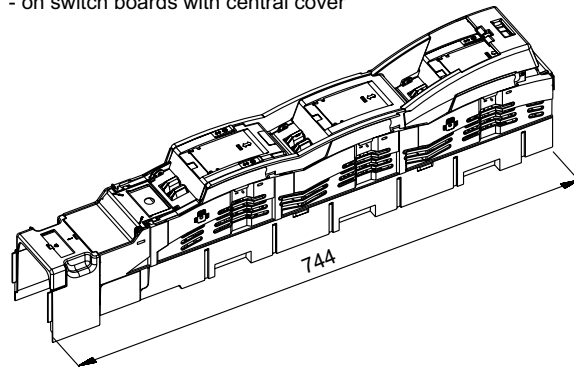
for clamp terminal connections (V-terminal)  
for special "high" clamp terminal connections (double V-clamps)  
- on switch boards with central cover  
and in feeder pillars



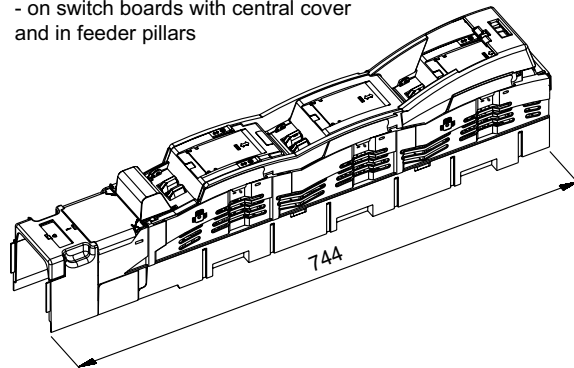
#### Extension shroud for bottom cable termination article number 1.002.095 (accessory)



for extended cover  
for terminal connections with cable lugs (bolt and insert nut)  
- on switch boards with central cover



for extended cover  
for clamp terminal connections (V-terminal)  
for special "high" clamp terminal connections (double V-clamps)  
- on switch boards with central cover  
and in feeder pillars



Dimensions in mm

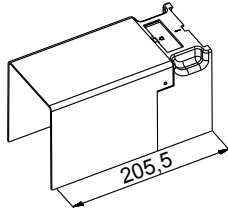
# MULTIVERT® 400A & i-Xtensio 400A

Size 2, 690VAC

## DIMENSIONS

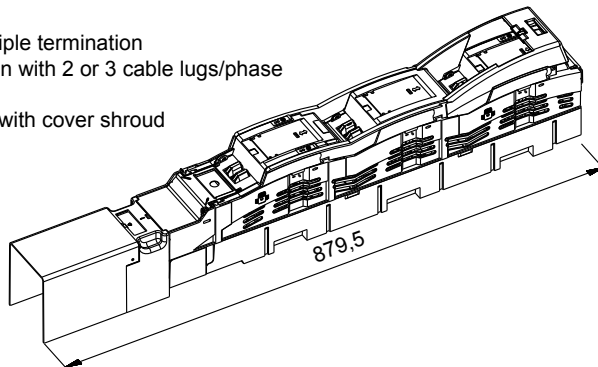
**Cover shrouds for cable termination bottom terminal MULTIVERT® 250A, 400A, 630A multiple termination**

(M01160b-2)

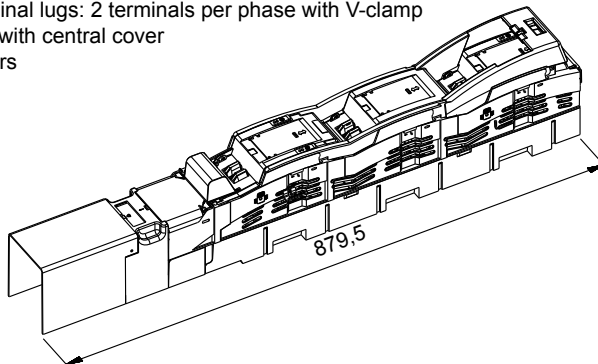


catalogue no. 1.002.458 - accessory

for application multiple termination  
for cable termination with 2 or 3 cable lugs/phase  
see MA 88  
- on switch boards with cover shroud



for application multiple termination  
for V-terminal: terminal lugs: 2 terminals per phase with V-clamp  
- on switch boards with central cover  
and in feeder pillars



Dimensions in mm

Dimensions in mm

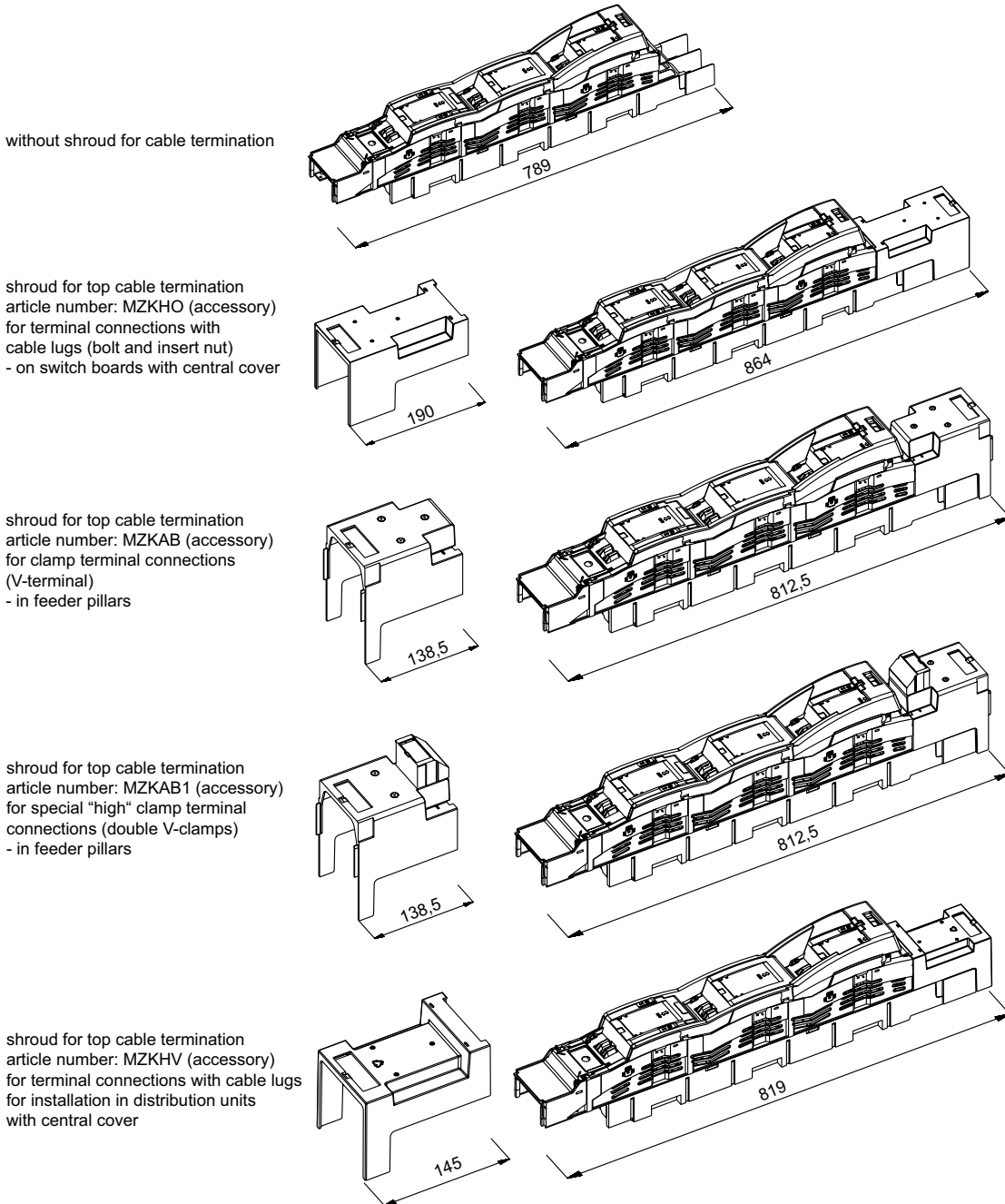


# MULTIVERT® 400A & i-Xtensio 400A

Size 2, 690VAC

## DIMENSIONS

Cover shrouds for cable termination top terminal MULTIVERT® 250A, 400A, 630A (M01160a-3)



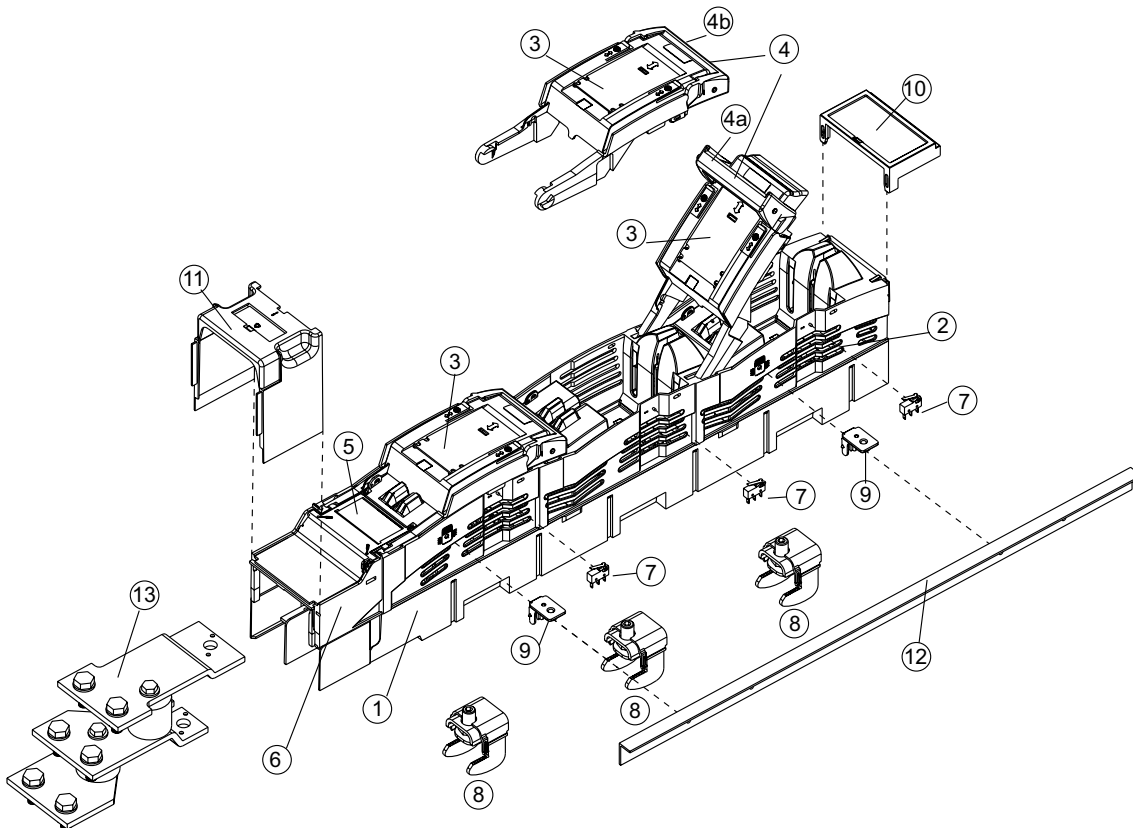
Dimensions in mm

# MULTIVERT® 400A & i-Xtensio 400A

Size 2, 690VAC

## EXPLODED SKETCH

MULTIVERT® 250A, 400A, 630A 3x single pole switching (E 1.002.265a)



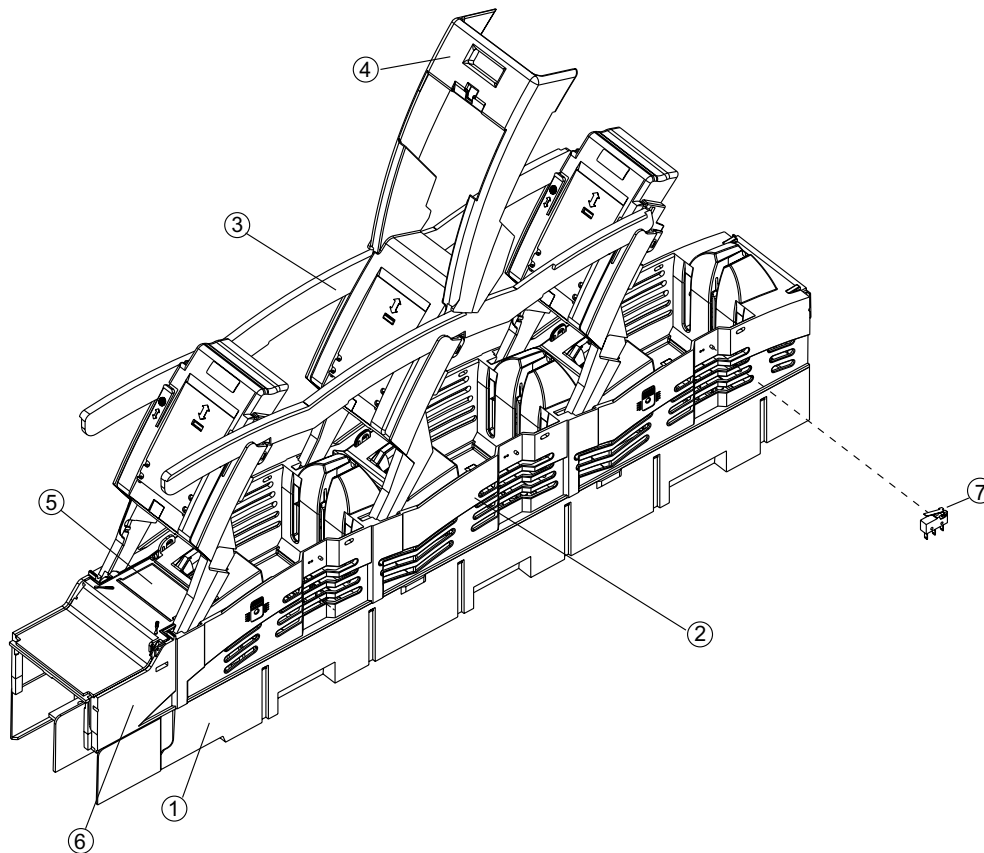
no.	articlenumber	short Description
1		Main base
2		Protection cover (removable)
3		Switch operating cover triple pole
4		Combination handle: 4a. open - switching position; 4b. Closed - installation depth 158mm
5		Labelling area (label)
6		Integrated cover shroud
7	1.000.852	indicator for switch door position
8	1.000.192	Hooked clamp, 1 set = 3 pieces
9	MZAW	Support angle, 1 set = 4 pieces
10	MZBT	Label holder
11	1.002.095	Cover shroud, bottom terminal, 70mm
12	1.001.510	cover shield, length 605mm, set=2 pieces
13	1.002.255	Supplementary set for multiple terminal

# MULTIVERT® 400A & i-Xtensio 400A

Size 2, 690VAC

## EXPLODED SKETCH

MULTIVERT® 250A, 400A, 630A 1x triple pole switching (E 1.002.266)



no.	articlenumber	short Description
1		Main base
2		Protection cover (removable)
3		Switch operating cover triple pole
4		Handle
5		Labelling area (label)
6		Integrated cover shroud
7	1.000.852	indicator for switch door position

# MULTIVERT® 400A & i-Xtensio 400A

Size 2, 690VAC

## ACCESSORIES



1.002.095



1.002.458



MZKAB



MZKAB1



MZKHO



MZKHV



MZVHB

### Covers/shrouds for cable termination

Catalog number	Item number	Application	Design	Package	Weight
1.002.095	J1002279	bottom terminal	cover shroud for extended cover length 70 mm	1 piece	0.12 kg
1.002.458	N1023305	bottom terminal	cover shroud for multiple termination length 205,5mm	1 piece	0.16 kg
MZKAB	J1023301	top terminal	cover shroud for clamp terminal connection in feeder pillars length 138,5 mm	1 piece	0.10 kg
MZKAB1	K1023302	top terminal	cover shroud for special (high) clamp terminal connection in feeder pillars length 138,5 mm	1 piece	0.12 kg
MZKHO	G217655	top terminal	cover shroud for cable terminal connections with cable lugs on switchboards with central cover length 190 mm	1 piece	0.13 kg
MZKHV	A1002202	top terminal	cover shroud for installation in distribution units with central cover (height of supporting edge reduced by 16 mm) length 145 mm	1 piece	85 g
MZVHB	L1023303	top terminal	extended cover shroud length 257 mm	1 piece	0.23 kg



1.001.510



MZAW

### Covers/level & system adjustment covers

Catalog number	Item number	Design	Package	Weight
1.001.510	K1002280	cover shield to support central cover 1 set = 2 pieces	1 set	0.15 kg
MZAW	D218687	support angle for support of cover plate 1 set = 4 pieces	1 set	27 g

# MULTIVERT® 400A & i-Xtensio 400A

Size 2, 690VAC

## ACCESSORIES



1.002.492

1.002.493

1.002.829



1.002.830

MZ01LPAP

MZLPAP

### Covers/spare way covers

Catalog number	Item number	Application	Design	Package	Weight
1.002.492	M1002282	bus bar system 185 mm	spare way cover width 100 mm, length 630 mm for covering of open installation spaces in distribution units with central cover	1 piece	0.20 kg
1.002.493	N1002283	bus bar system 185 mm	spare way cover width 50 mm, length 630 mm for covering of open installation spaces in distribution units with central cover	1 piece	0.14 kg
1.002.829	F1023413	bus bar system 185 mm	spare way cover width 100 mm, length 630 mm with level adjustment 123 mm for bus bar installation set = cover + fixing set (2 distance pieces, 2 screw rivets)	1 set	0.27 kg
1.002.830	E1023412	bus bar system 185 mm	spare way cover width 50 mm, length 630 mm with level adjustment 123 mm for bus bar installation, set = cover + fixing set (2 distance pieces, 2 screw rivets)	1 set	0.20 kg
MZ01LPAP	C1023410	bus bar system 185 mm	spare way cover without level adjustment width 50 mm, length 500 mm including fixing material	1 piece	60 g
MZLPAP	D1023411	bus bar system 185 mm	spare way cover width 100 mm, length 612 mm including 2 pieces M12 fixing screws (distance of fixing holes 185 mm)	1 piece	0.56 kg



1.000.192



1.002.648

### Installation devices/bus bar installation

Catalog number	Item number	Design	Package	Weight
1.000.192	P1002284	hooked clamp size 1, 2, 3, M = 15-20 Nm hexagon socket connection (inbus) for MULTIVERT®/BSL with top or bottom terminal 1 set = 3 pieces	1 set	0.47 kg
1.002.648	T1023448	M12 insert nut, size 2 and 3 1 set = 30 pieces	1 set	0.28 kg

# MULTIVERT® 400A & i-Xtensio 400A

Size 2, 690VAC

## ACCESSORIES



1.000.829



1.000.852



1.002.940



1.000.102



1.000.103



1.000.109

### Indication facilities

Catalog number	Item number	Design	Package	Weight
1.000.829	L1023418	electro-mechanical fuse monitoring (galvanic isolation) MZS size 1,2,3 for MULTIVERT® 250 A, 400 A, 630 A with cabling of instrument leads	1 piece	0.31 kg
1.000.852	Q1002285	indicator for switch door position micro switch, 1 change-over contact 5 A, 250 V	1 piece	90 g
1.002.940	Z1023453	electronic fuse monitoring ESÜ size 1,2,3 for MULTIVERT® 250 A, 400 A, 630 A with cabling of instrument leads (rated voltage 525VAC)	1 piece	0.85 kg

### Amperemeter units

Catalog number	Item number	Design	Package	Weight
1.000.102	M1023281	size 1, 2, 3, 250 A, with drag indicator, single pole measurement	1 piece	83 g
1.000.103	N1023282	size 2, 3, 400 A, with drag indicator, single pole measurement	1 piece	83 g
1.000.108	T1023287	size 1, 2, 3, 250 A, with drag indicator, triple pole measurement (optional L1, L2, L3)	1 piece	83 g
1.000.109	V1023288	size 2, 3, 400 A, with drag indicator, triple pole measurement (optional L1, L2, L3)	1 piece	83 g

### Current transformers/external current transformers

Catalog number	Item number	Application	Design	Package	Weight
1.005.085	X1200183	Multivert i-Xtensio Size 2/3	CT Cover - accessory to increase Touch Protection and to maintain the Current Transformers in position in the back of Multivert i-Xtensio Size 2/3 - 1 set of 3pcs	1 set	0.2 kg
1.005.087	Y1200184	Multivert i-Xtensio Size 2/3	Set of 3 Current transformers up to 250/5A, 5VA, class 1, for Multivert i-Xtensio Size 2/3	1 set	0.4 kg
1.005.088	Z1200185	Multivert i-Xtensio Size 2/3	Set of 3 Current transformers up to 400/5A, 5VA, class 1, for Multivert i-Xtensio Size 2/3	1 set	0.4 kg
1.005.089	A1200186	Multivert i-Xtensio Size 2/3	Set of 3 Current transformers up to 600/5A, 5VA, class 1, for Multivert i-Xtensio Size 2/3	1 set	0.4 kg
1.005.090	B1200187	Multivert i-Xtensio Size 2/3	Set of 3 Current transformers up to 400/1A, 5VA, class 1, for Multivert i-Xtensio Size 2/3	1 set	0.4 kg
1.005.091	C1200188	Multivert i-Xtensio Size 2/3	Set of 3 Current transformers up to 600/1A, 5VA, class 1, for Multivert i-Xtensio Size 2/3	1 set	0.4 kg
1.005.095	D1200189	Multivert i-Xtensio Size 2/3	Set of 3 Current transformers up to 300/5A, 2,5VA, class 0,5s for Multivert i-Xtensio Size 2/3	1 set	0.4 kg
1.005.096	E1200190	Multivert i-Xtensio Size 2/3	Set of 3 Current transformers up to 400/5A, 2,5VA, class 0,5s for Multivert i-Xtensio Size 2/3	1 set	0.4 kg
1.005.097	F1200191	Multivert i-Xtensio Size 2/3	Set of 3 Current transformers up to 600/5A, 5VA, class 0,5s for Multivert i-Xtensio Size 2/3	1 set	0.4 kg
1.005.116	W1200182	Multivert i-Xtensio Size 2/3	CT Wiring kit - Wiring set for 3 Current transformers in the back of Multivert i-Xtensio Size 2/3	1 set	0.1 kg



1.005.085



1.005.090



1.005.116

# MULTIVERT® 400A & i-Xtensio 400A

Size 2, 690VAC

## ACCESSORIES



MZBT

### Labelling facilities

Catalog number	Item number	Design	Package	Weight
MZBT	B222181	label holder size 1, 2, 3	1 piece	30 g



# MULTIVERT® 400A & i-Xtensio 400A

Size 2, 690VAC

## ACCESSORIES



1.000.099



1.001.667



1.002.255



1.003.377



22SZVK42



1.003.286



1.002.909



1.002.910

### Varieties of cable termination

Catalog number	Item number	Design	Package	Weight
1.000.099	E1023436	insulation cap for V-terminal clamp size 1,2,3	1 piece	0.1 g
1.001.667	F1023275	adapter for double terminal L3	1 piece	0.25 kg
1.002.255	B1024582	supplementary set for multiple termination, bottom terminal 2 cable lugs Cu/Al: up to max. 300 mm <sup>2</sup> round stranded, sectoral stranded 3 cable lugs Cu: up to max. 150 mm <sup>2</sup> round stranded, sectoral stranded M = 32-38 Nm	1 set	1.68 kg
1.002.909	K1024613	V-terminal clamp size 1,2,3, 10-300 mm <sup>2</sup> single solid, 10-300 mm <sup>2</sup> single stranded, 10-300 mm <sup>2</sup> round stranded, 10-300 mm <sup>2</sup> round solid, Opening width: 26.5 mm M = 23 -27 Nm 1 set = 3 pieces	1 set	0.24 kg
1.002.910	L1024614	V-terminal clamp size 1,2,3, 95-300 mm <sup>2</sup> single solid, 70-240 mm <sup>2</sup> single stranded, 50-185 mm <sup>2</sup> round stranded, 70-240 mm <sup>2</sup> round solid, Opening width: 26.5 mm M = 23 -27 Nm 1 set = 3 pieces	1 set	0.26 kg
1.003.286	Q1024595	supplementary set for V-terminal size 1,2,3 set = 3 pieces V-clamps, cover shroud and labels for size 1, 2 and 3	1 set	0.23 kg
1.003.377	Y1024579	supplementary set for multiple termination, top terminal 2 cable lugs Cu/Al: up to max. 300 mm <sup>2</sup> round stranded, sectoral stranded, 3 cable lugs Cu: up to max. 150 mm <sup>2</sup> round stranded, sectoral stranded, M = 32-38 Nm	1 set	1.74 kg
22SZVK42	Q1024618	V-terminal clamp size 1,2,3 for 2 conductors 50-240 mm <sup>2</sup> single solid, 50-185 mm <sup>2</sup> single stranded, 50-185 mm <sup>2</sup> round stranded, 70-240 mm <sup>2</sup> round solid M = 23-27 Nm	1 piece	6.8 g