

Product designation				Changeover Switch
Product type designation				GA
Number of poles	Nr.			4
Operating voltage type				AC
Contact characteristics				
IEC Conventional free air thermal current I _{th}	A			160
Rated insulation voltage U _i IEC/EN	V			1000
Rated impulse withstand voltage U _{imp}	kV			8
Operating current I _e				
AC21A	400V	A	160	
	500V	A	160	
	690V	A	160	
AC22A	400V	A	160	
	500V	A	125	
	690V	A	125	
AC23A	400V	A	125	
	500V	A	100	
	690V	A	47	
Power dissipation per pole max	W			12
Rated operational power AC23A	400V	kW	55	
	690V	kW	45	
Rated short time current (1s) I _{cw} (rms)	kA			2.5
Conditional short-circuit current (rms)	kA			50
Short-circuit protection with fuse	Class/A			gG160
Making capacity AC23A 400V	A			1250
Breaking capacity AC23A 400V	A			1000
Mechanical life	cycles			30000
Electrical life AC21A	cycles			1500 (AC23A 400V)
Mechanical features				
Operating position	normal allowable		Vertical plan Any	
Fixing	Screw / DIN rail 35mm			
Terminals				
	type			Pillar
	width	mm	12.4	
	height	mm	10.4	
	screw			M8
	tool			Metric Allen key 4

Tightening torque for terminals

min	Nm	5
max	Nm	6
min	lbin	45
max	lbin	54

Conductor section

IEC min	mm ²	4
IEC max	mm ²	70
AWG/kcmil min		12
AWG/kcmil max		1

Weight

g 1133

UL technical data

UL Standard

UL98

Minimum enclosure dimensions at rated current

mm	mm	150x140x110
in	in	5.9 x 5.5 x 4.3

Ambient conditions

Operating temperature

min	°C	-25
max	°C	+55

Storage temperature

min	°C	-40
max	°C	+70

Max altitude

m 3000

Resistance & Protection

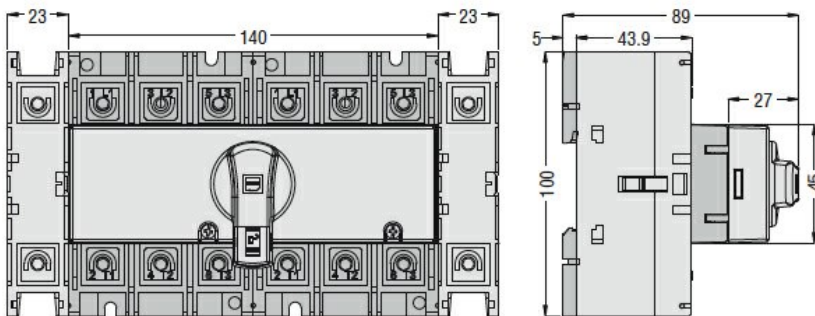
Frontal IP degree

IP20

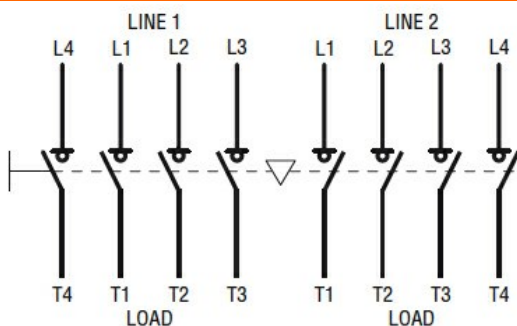
Pollution degree

3

Dimensions



Wiring diagrams



ETIM classification

ETIM 8.0

EC000216 -
Switch
disconnecter