

EXKO 7317 - Ex-safety switches 630 A



3-pole

Technical data

Ex-safety switches 630 A

Marking accd. to 2014/34/EU	☉ II 2 G Ex de IIC T6, T5 bzw. T4 ¹⁾ / ☉ II 2 D IP66 T80 °C/T95 °C	
EC-Type Examination Certificate	PTB 99 ATEX 1057	
IECEX Certificate of Conformity	IECEX PTB 12.0026	
Marking accd. to IECEx	Ex d IIC T6, T5 or T4 Gb / Ex de IIC T6, T5 or T4 Gb Ex d IIB T6, T5 or T4 Gb / Ex de IIB T6, T5 or T4 Gb	
Permissible ambient temperature	-20 °C up to +40 °C ²⁾	
Rated voltage	up to max. 690 V	
Rated current	max. 630 A	
Frequency	50/60 Hz	
Rated making/breaking capacity AC-3 accd. EN 60947-3	U _e 230 V / I _e 630 A U _e 400 V / I _e 630 A U _e 500 V / I _e 630 A U _e 690 V / I _e 630 A	
Back-up fuse	up to 400 V AC: 800 A gG up to 500 V AC: 800 A gG up to 690 V AC: 800 A gG	
Connecting terminals	main contact	6 x 240 mm ² /2 x 120 mm ²
	auxiliary/signal contact	2 x 4 mm ²
Protection class	I	
Degree of protection accd. to EN 60529	IP54 (IP65 optional)	
Cable glands/enclosure drilling	M25 cable gland see ordering details M80 Ø 62 - 68 mm see ordering details	
Weight	approx. 245 kg	
Enclosure material	steel, powder-coated polyester connection box steel, powder-coated	
Colour	Enclosure	grey (RAL 7032)
	Cover	dark grey (RAL 7022)
Auxiliary contact	1 x NO making - lagging; breaking - leading 1 x NC making - leading; breaking - lagging	
Padlocking facility	can be locked in OFF position with 3 commercially available padlocks (Ø max. 6 mm)	

¹⁾ Also available with Explosion Group IIB

²⁾ Other ambient temperatures on request



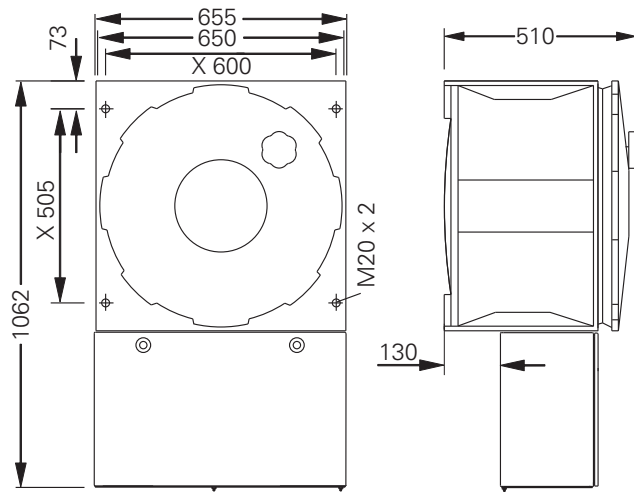
3-pole

Ordering details

Content	Cable gland	Order No.
Safety switch 630 A 3-pole		
Version with 2 auxiliary contacts (1 NO; 1 x NC)		
3-pole	4 x M80 / 1 x M25	EXKO 731713 V0001
3-pole EMERGENCY STOP	4 x M80 / 1 x M25	EXKO 731723 V0001

Customized version on request, auxiliary contacts in Ex ia available

Dimension drawing



3-pole

X = fixing dimensions