

Ø 42 mm 14 to 31 Watts 14 W Part number 82810504



- Usable power : 12 to 22 Watts
- For high-power drive applications
- Sintered bronze bearings lubricated for life
- Power supply by 4.75 mm tags
- Interchangeable brushes
- Optional channel encoder

Part numbers

| | Type | Type | Voltage | References |
|----------|------|--------|---------|---------------------------------|
| 82810504 | 14 W | 828105 | 12 V | With 1 pulse/revolution encoder |

Specifications

No-load characteristics

| | |
|-------------------------|------|
| Speed of rotation (rpm) | 3840 |
| Absorbed power (W) | 12 |
| Absorbed current (A) | 1 |

Nominal characteristics

| | |
|------------------------------------|------|
| Speed (rpm) | 2580 |
| Torque (mNm) | 45 |
| Usable power (W) | 12 |
| Absorbed power (W) | 31 |
| Absorbed current (A) | 2,6 |
| Gearbox case temperature rise (°C) | 32 |
| Efficiency (%) | 39 |

General characteristics

| | |
|---|------------|
| Insulation class (conforming to IEC 85) | F (155 °C) |
| Protection (IEC/EN 60529) | IP20 |
| Max. output power (W) | 14 |
| Start torque (mNm) | 138 |
| Starting current (A) | 6,2 |
| Resistance (Ω) | 1,94 |
| Inductance (mH) | 4,45 |
| Torque constant (Nm/A) | 0,0265 |
| Electrical time constant (ms) | 2,3 |
| Mechanical time constant (ms) | 26 |
| Thermal time constant (mn) | 8 |
| Inertia (g.cm ²) | 80 |
| Weight (g) | 310 |
| Number of segments | 8 |
| Service life (h) | 2000 |
| Sintered bronze bearings | ■ |
| Replaceable brushes | ■ |

Encoder characteristics

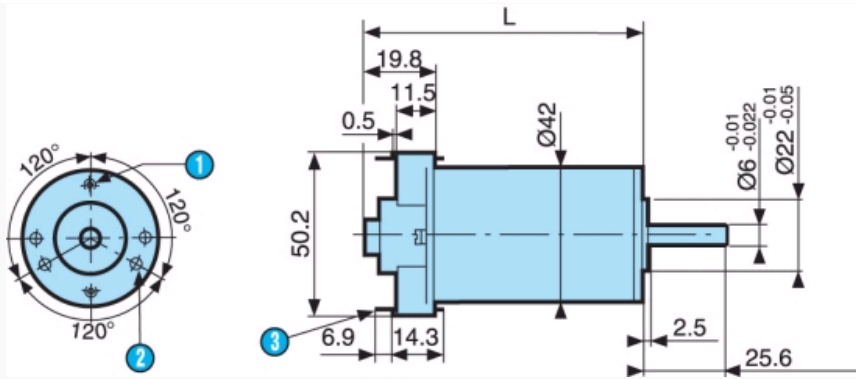
| | |
|--------------------------|--------------|
| Output current (mA) | < 25 (25 °C) |
| Supply (V) | 4,5 →30 DC |
| Ambient temperature (°C) | -40 →85 °C |

Made to order products, available on request

- Built-in interference suppression (82 830 5)
- Special interference suppression (82 800 5 - 82 810 5)
- Other supply voltages
- Motor with 1 ball bearing at front (82 800 5 or 82 810 5) (essential for vertical motor)
- Shaft lengths at front and/or rear
- Reversible 5 pulses/revolution magnetic encoder (1 or 5 pulses/revolution)
- Other fixing flanges on front or rear
- Short version possible on 82 830 5 (L = 90 mm)

Dimensions (mm)

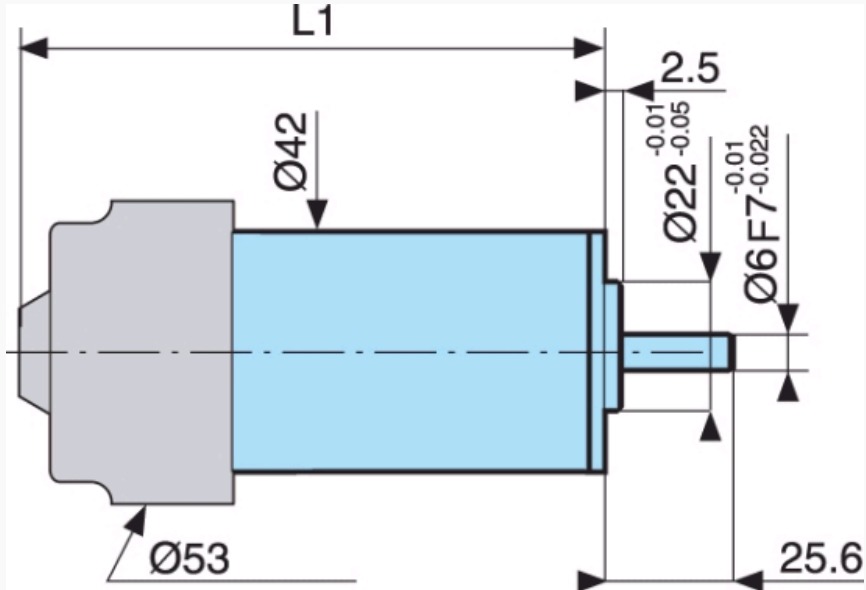
828005 - 828105



| N° | Legend |
|----|---|
| 1 | 2 x M3 at 180°, depth 5 mm over Ø 32 |
| 2 | 2 holes Ø 2.75 at 120° depth 5 mm over Ø 32 |
| 3 | 2 tags IEC 760, series 4.8 x 0.5 |
| | L : 828005 : 84.8 mm max. |
| | L : 828105 : 59.8 mm max. |

Dimensions (mm)

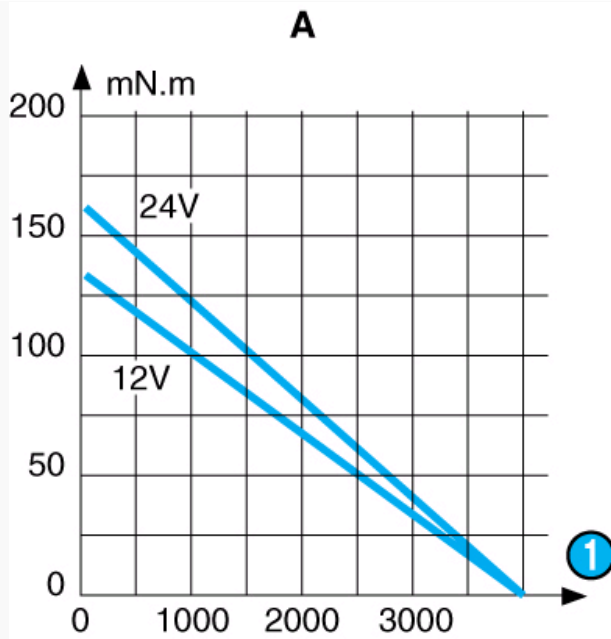
Dimensions with magnetic encoder



| N° | Legend |
|----|----------------------------|
| | L1 : 828005 : 99.1 mm max. |
| | L1 : 828105 : 84.1 mm max. |

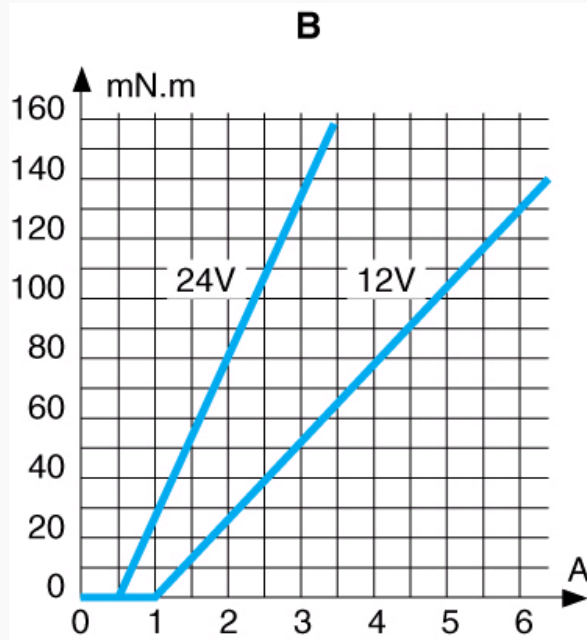
Curves

828105



| N° | Legend |
|----|--------------------|
| 1 | rpm |
| | Torque/speed curve |

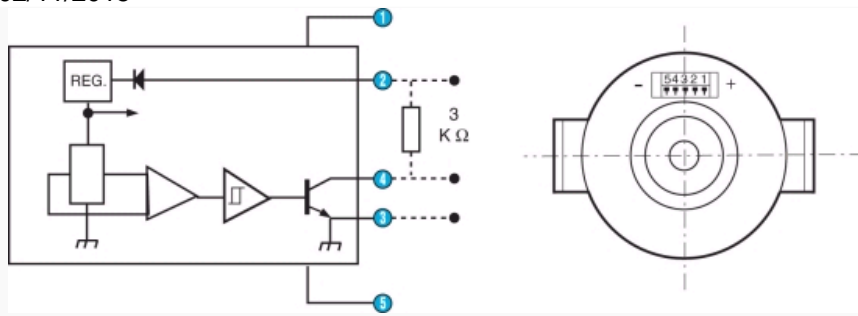
Curves
828105



| N° | Legend |
|----|----------------------|
| | Torque/current curve |

Connections

Encoder and connector : STOCKO MKS 3735-6-0-505



Part number of female connector to be used : STOCKO MKF 17-230 / 260 / 330 / 360

| N° | Legend |
|----|--------------------------------------|
| 1 | Motor power supply |
| 2 | +5 → +24 V DC (encoder power supply) |
| 3 | 0 V DC (encoder power supply) |
| 4 | Encoder signal output |
| 5 | Motor power supply |

Product adaptations



- Special output shaft
- Pinion on output shaft
- Special supply voltage
- Special ball bearings
- Optical or Hall effect encoder
- Special mounting plate
- Special connections