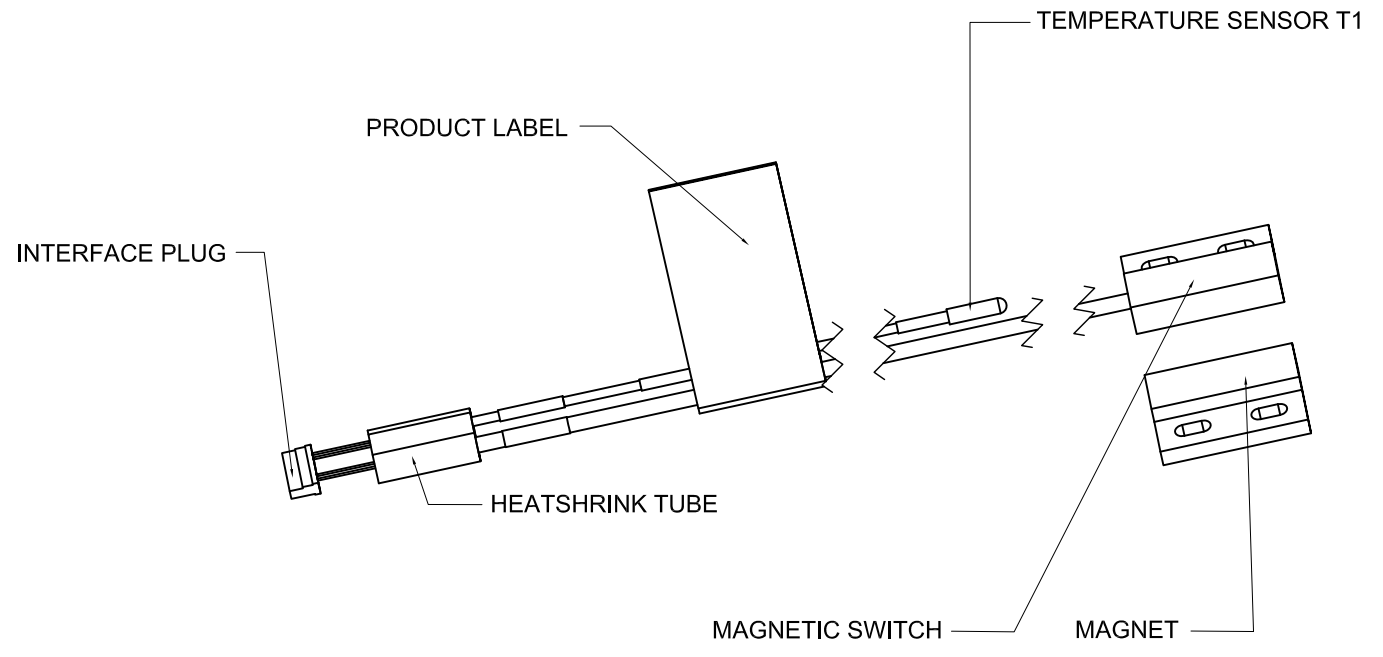


THIS COPY IS PROVIDED ON A RESTRICTED BASIS AND IS NOT TO BE USED IN ANY WAY DETRIMENTAL TO THE INTERESTS OF PANDUIT CORP.

PANDUIT P/N	WEIGHT
ACF10	0.09kg



SPECIFICATION:

1. STANDARD
 TEMP MEASURING RANGE: 10°C - 65°C [50°F - 149°F]
 TEMP MEASUREMENT ACCURACY: ± 2°C
 DOOR SENSOR: NORMALLY OPEN
 OPERATIONAL VOLTAGE: 5 ±0.5 VOLTS DC
 CURRENT DRAW: 30 mA MAX
 SENSOR HOUSING MATERIAL: GLASS-FILLED PC
 SENSOR HOUSING COLOR: BLACK
 INTERFACE PLUG: JST GHR-08V-S
 CABLE COLOR: BLACK
 WORKMANSHIP STANDARD: HARNESS TO BE MANUFACTURED TO IPC/WHMA-A-620 CLASS 2 STANDARD

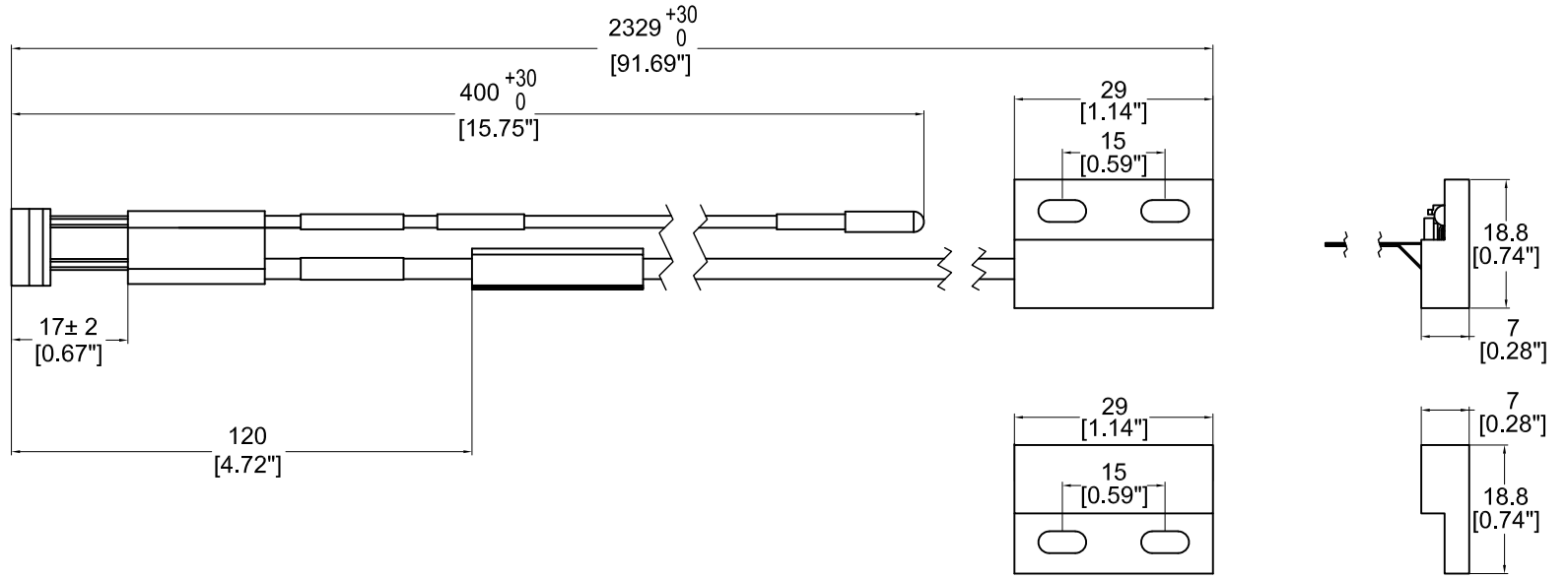
2. ADDITIONAL:
 NONE

3. ACCESSORY COMPONENTS:
 MAGNET, QTY (1)

NOTES:

1. PRIMARY DIMENSIONS ARE IN MILLIMETERS. SECONDARY DIMENSION ARE IN INCHES
 2. INSTALLATION SHALL COMPLY WITH ALL APPLICABLE NATIONAL, STATE, AND LOCAL CODES
 3. VISIT OUR ON-LINE CATALOG AT WWW.PANDUIT.COM FOR A CURRENT LIST OF PRODUCTS APPLICABLE FOR USE WITH THIS PART

IDENTIFICATION	PART NUMBER	DESCRIPTION
	ACF10	SMARTZONE SECURITY HANDLE TEMPERATURE AND DOOR SENSOR



REV	DATE	BY	CHK	APR	DESCRIPTION	ECN
02A	4/9/2020	NW	GLM	JAW	UPDATED DOOR SENSOR FROM NORMALLY CLOSE TO OPEN	ACF10
01A	3/4/2020	NW	GLM	JAW	UPDATED PIN DEFINITION AND PRODUCT NAME	ACF10
00A	12/08/2019	NW	GLM	JAW	INITIAL RELEASE	ACF10

WE ASK THAT YOU CHECK FULLY THE DIMENSIONS, NOTES, AND SIGN THE CLIENT SIGNATURE BOX. THE JOB WILL NOT PROGRESS WITHOUT SIGNED APPROVAL. PLEASE DO NOT DELAY IN RETURNING PROOF AS IT WILL AFFECT DELIVERY		SIGN
		DATE
		PRINT
TITLE: SMARTZONE SECURITY HANDLE TEMPERATURE AND DOOR SENSOR		
CUSTOMER DRAWING		
ITEM REVISION NAME:		PANDUIT
DATASHEET FILE NAME:		
UNLESS OTHERWISE SPECIFIED DIMENSIONAL TOLERANCE ARE: mm [IN]		MATERIAL/COLOR: N/A
THIRD ANGLE PROJECTION		DRAWING NUMBER: ACF10_DC
DRAWN BY: NW	DATE: 12/08/2019	SCALE: NONE
CHK: GLM		SHT 1 OF 1
		SCALE: B