

Product designation	One pedal, with pedal actuator lock - with cover
Product type designation	KR220

General characteristics

Material	Housing	Aluminium-zinc alloy
----------	---------	----------------------

Contact characteristics

Type of contact		1NO+1NC Slow action
Thermal current I _{th}	A	10
IEC/EN 60947-5-1 designation		A300 Q300
Rated insulation voltage U _i	V	440
Rated impulse withstand voltage U _{imp}	kV	4
Short-circuit protection with fuse	Class/A	10 gG fuse
IEC Conventional free air thermal current I _{th}	A	10
Resistance per pole (average value)	mΩ	<10

Mechanical features

Tightening torque (Max)	Contact terminals	Nm	1
		lbin	0.74lbft

Cable connection	Self-releasing screw terminal
Cable entry	1 x M20

Operations

Mechanical life	cycles	>10000000
-----------------	--------	-----------

Ambient conditions

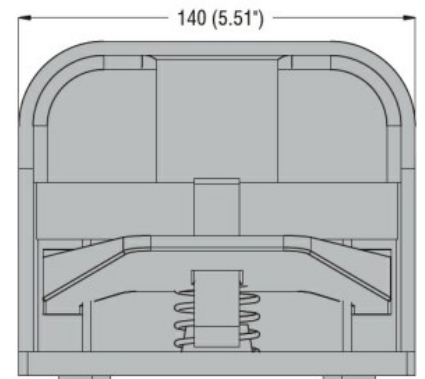
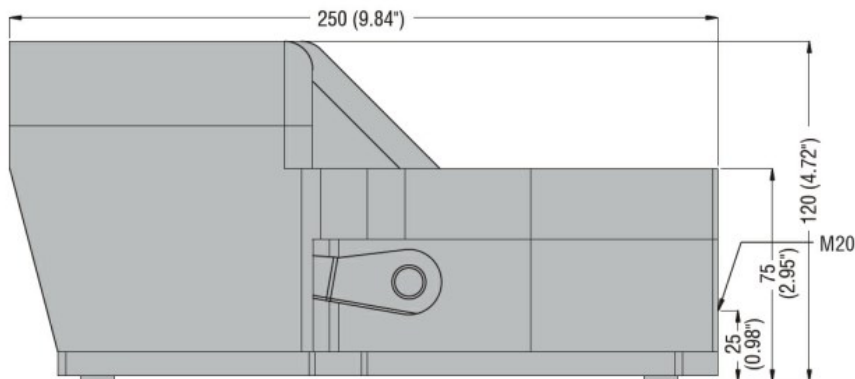
Temperature	Operating temperature	min	°C	-25
		max	°C	+70
	Storage temperature	min	°C	-40
		max	°C	+70

Resistance & Protection

IP degree	Terminals	IP20
	Body housing	IP54

Pollution degree	3
------------------	---

Dimensions



Certifications and compliance

Compliance

EN 60447.

IEC/EN 60204-1

IEC/EN 60947-1

IEC/EN 60947-5-1

Certificates

EAC

ETIM classification

ETIM 8.0

EC001258 - Foot
switch