

Part number

CAV 16 LG29



Hood, C-TYPE series, with 1 lever, Pg29 top cable entry, size "77.27", high construction

Product description

Product type	Hood
Series	C-TYPE
Closing type	With 1 lever
Size	Size 77.27
Cable entry	Top cable entry with adapter Pg29
Specification	High construction

Technical data

IP degree of protection	IP65 / IP66 / IP69
Further technical details	
Weight	345,50 g
Operating temperature range (min, max)	-40°C...+125°C

Material properties

Other materials	Lever: Stainless steel, polyamide (PA) Gasket: NBR
Colour	RAL 7040 grey
RoHs conformity	Compliant with exemption 6(c): copper alloy containing up to 4% lead by weight
China RoHs - EFUP	50
REACH SVHC substances	Yes Lead
SCIP number	15deaf78-e939-4401-a0b0-e2228ca32a03

Approvals / Standards

Certifications	DNV, BV
UL	ECBT2
cUL	ECBT8

General ordering information

EAN13 code	8015747009621
-------------------	---------------

Packaging Information

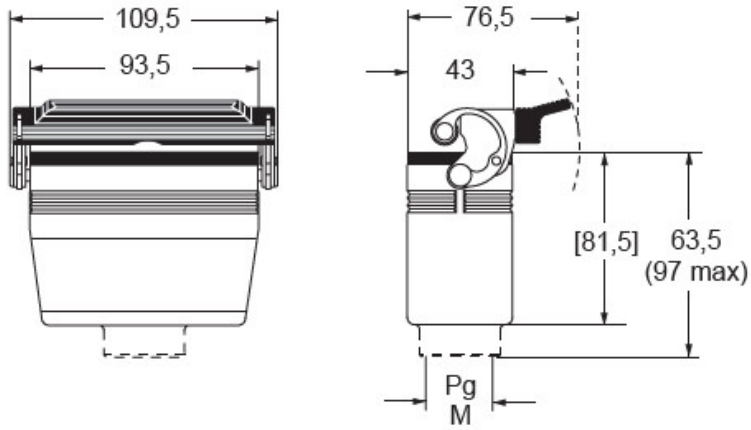
Packaging length	230,00 mm
Packaging height	160,00 mm
Packaging width	270,00 mm
Packaging weight	3,71 kg
Packaging volume	9,94 dm ³
Packaging description	Carton box
Packaging quantity	10 Pcs
Packaging EAN code	8015747226080
Sub-packaging weight	1,86 kg
Sub-packaging description	Plastic packaging
Sub-packaging quantity	5 Pcs
Sub-packaging EAN barcode	8015747009638

Part number

CAV 16 LG29



Catalogue drawings



Notes

Dimensions shown in mm are not binding and may be changed without notice.
