

<4-way air discharge cassette type>

Fresh-Air Chamber

MODEL: TCB-GFC1602UE

Thank you for purchasing the “Fresh-Air Chamber” of TOSHIBA Air Conditioner. Before starting the installation work, please read this manual carefully and install the product properly.

PRECAUTIONS FOR SAFETY

- Before installing the product, please read the “**PRECAUTIONS FOR SAFETY**” carefully to perform the proper installation.
- Be sure to keep the instructions described in the precautions for safety, since the descriptions include the important information for safety. The indication and the meaning of the symbols are as below.



WARNING

This sign denotes that serious injury may result from improper use.



CAUTION

This sign denotes that the bodily injury*1 or damage*2 to property may result from improper use.

*1: Bodily injury indicates injury, burns, electric shock, and other injuries which do not require hospitalization or long-term treatment as an outpatient.

*2: Physical damage indicates the damage relating to the property, material.

CAUTION ON INSTALLATION



WARNING

Use TOSHIBA products for the parts sold separately. Use the products specified by TOSHIBA for the parts sold separately, such as the ceiling panel, outside air introduction box. The use of the products other than specified may cause the water leakage, electric shock, fire, etc.



CAUTION

Turn off the earth leakage breaker when installing the outside air chamber.

Be sure to install the outside air chamber to the indoor unit.


Insufficient installation may cause the water leakage, electric shock, etc.

1. Specifications

Fresh-air inlet box	TCB-GB1602UE
---------------------	--------------

2. Accessories

The following parts are included as accessories in the product package.

No.	Name	Shape	Q'ty
①	Mounting screw		4

3. Installing the Fresh-Air Chamber

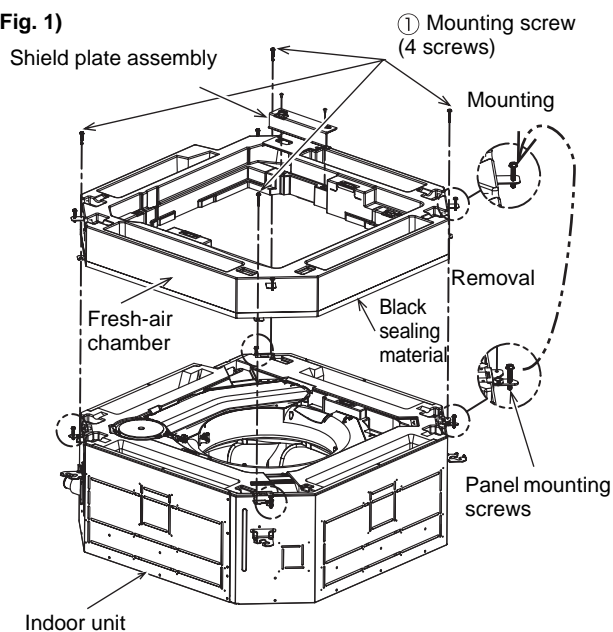


CAUTION

Handle with care for the product when performing the ceiling installation. Applying the shock to the side of the Fresh-Air Chamber may damage the product.

(1) Preparation for installation (Fig. 1)

(Fig. 1)



- Loosen two screws and remove the shield plate assembly attached to the chamber.
- Remove the panel mounting screws on the indoor unit and attach them on the chamber. (at four locations)

(2) Fresh-Air Chamber mounting (Fig. 1)

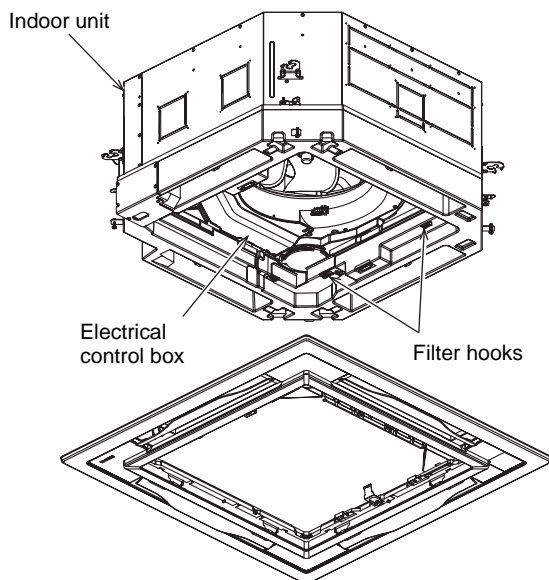
- Fit the black sealing material side of the Fresh-Air Chamber to the indoor unit. (It is required to fit each shape of the indoor unit and Fresh-Air Chamber for the installation direction.)
- Fix them with the attached Mounting screw (four screws)

(3) Installing the indoor unit

- Install the indoor unit (with Fresh-Air Chamber) to the ceiling. (Install the indoor unit following to the instructions described on the installation manual of the indoor unit.)

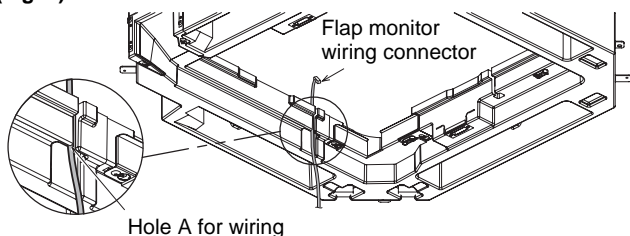
(4) Installing the ceiling panel (sold separately) (Fig. 2)

(Fig. 2)



- Mount the ceiling panel to the Fresh-Air Chamber. (Mount the ceiling panel following to the instructions described on the installation manual of the ceiling panel.)
- Insert the flap motor wiring connector of the ceiling panel to the hole A for the Fresh-Air Chamber wiring, and connect to the P.C. board inside the electrical control box securely. (Fig. 3)

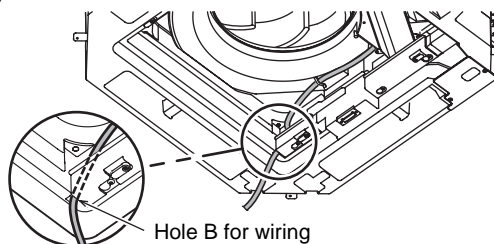
(Fig. 3)



- ※ Cut the binding band of the flap motor wiring of the panel and perform the wiring.

- Signal receiving unit of wireless remote controller needs to be connected to use wireless remote controller (sold separately). Put wire of the signal receiving unit through hole B and connect it to the terminal block in electrical control box. (Fig. 4)
(For the details of installation, refer to the manual of wireless remote controller kit.)

(Fig. 4)



(5) Installing the shield plate assembly

- After closing the electrical control box, mount the shield plate assembly by using 2 screws to the original position where once removed from the chamber when preparing for the installation.

(6) Mounting the fresh-air inlet box

- Mount the fresh-air inlet box following to the instructions described on the manual attached to the product.

4. Confirming the installation

After the installation completes, perform the trial run to confirm that no abnormality is found.

For your future reference, please keep the installation manual on your side.

(2) Fresh-Air Chamber montaj (Resim 1)

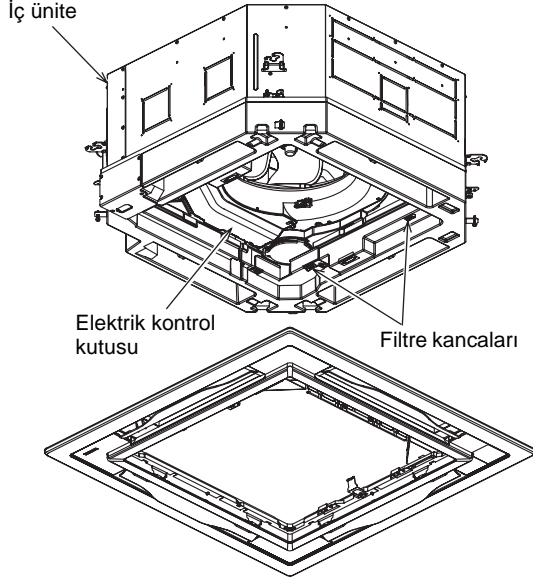
- Fresh-Air Chamber ünitesinin siyah sızdırmazlık malzemesini iç üniteye takın. (Montaj yönü için iç ünitenin ve Fresh-Air Chamber ünitesinin her biçimine uyum sağlamak üzere gereklidir.)
- Bunları birlikte verilen Montaj vidası (dört vida) ile takın.

(3) İç ünitenin montajı

- İç üniteyi (Fresh-Air Chamber ile) tavana monte edin. (İç üniteyi, bunun montaj el kitabındaki talimatlar doğrultusunda monte edin.)

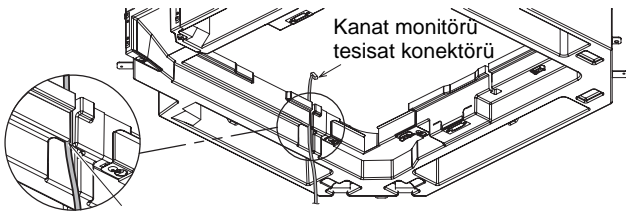
(4) Tavan panelinin (ayrı satılır) montajı (Resim 2)

(Resim 2)



- Tavan panelini Fresh-Air Chamber ünitesine monte edin. (Tavan ünitesini, bunun montaj el kitabındaki talimatlar doğrultusunda monte edin.)
- Tavan panelinin kanat motoru kablo tesisatı konektörünü Fresh-Air Chamber kablo tesisatının A deliğine yerleştirin ve elektronik kartı elektrik kontrol kutusunun içine sıkıca takın. (Resim 3)

(Resim 3)

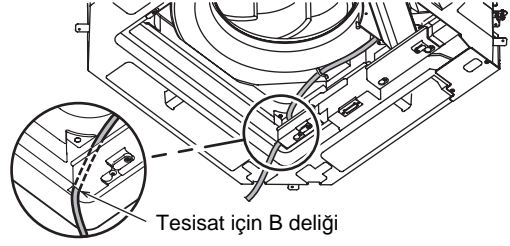


Tesisat için A deliği

- Panelin kanat motorunun bağlama bandını kesin ve tesisatı döşeyin.

- Kablosuz uzaktan kumandayı (ayrı olarak satılır) kullanmak için kablosuz uzaktan kumandanın sinyal alma ünitesi bağlanmalıdır. Sinyal alma ünitesinin kablosunu B deliğinden geçirin ve elektrik kontrol kutusundaki terminal bloğuna bağlayın. (Resim 4) (Montaj ile ilgili ayrıntılar için, kablosuz uzaktan kumanda kitinin kılavuzuna bakın.)

(Resim 4)



Tesisat için B deliği

(5) Zırh plaka grubunun montajı

- Elektrik kontrol kutusunu kapattıktan sonra, montaja hazırlık aşamasında çıkarılmış olan 2 vidayı kullanarak zırh plaka grubunu orijinal konuma monte edin.

(6) Fresh-air inlet box montajı

- Fresh-air inlet box ünitesini ürünle birlikte verilen talimatlar doğrultusunda monte edin.

4. Montajı onaylama

Montaj tamamlandıktan sonra, herhangi bir anormallik olmadığından emin olmak üzere bir deneme çalışması yapın.

İleride başvurabilmek üzere lütfen montaj el kitabını erişebileceğiniz bir yerde tutun.