

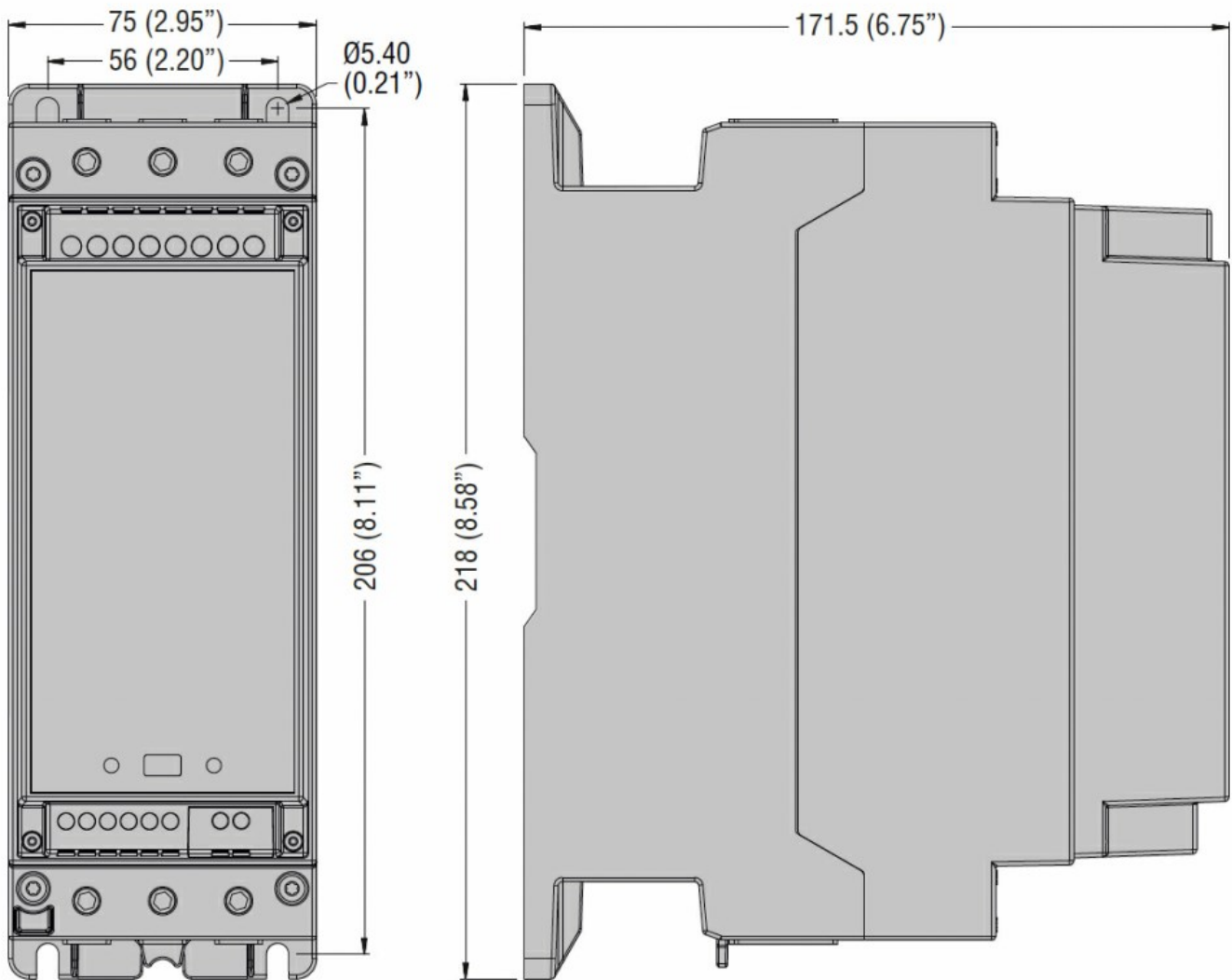


Product designation				Thyristor modules
Product type designation				DCTL
General characteristics				
Rated voltage	V			400...480
Operating voltage range			340...528	
Rated frequency	Hz			50/60
Operating frequency range	Hz			45...65
Rated current (Ie)	A			22
Step power at				
	400VAC	kvar	18	
	440VAC	kvar	16.5	
	480VAC	kvar	18	
Peak inverse voltage (PIV)	VAC			2200
Number of controlled phases	Nr.			2
Control circuit				12-24VDC input or free-voltage input or via RS485 serial port (with optional card EXC1042 in combination with controller DCRG8F + EXP1012)
Auxiliary supply				
Rated auxiliary supply voltage Us				
AC				
	min	VAC	100	
	Max	VAC	240	
Auxiliary rated frequency			Hz	50/60
Power consumption Max			VA	11.8
Power dissipation Max			W	4.6
Control input				
Terminals				CONTROL +/-
Rated voltage				12-24VDC
Operating range				8...30VDC
Digital inputs				
Terminals				C-IN1
Applied voltage at contact (internal)				5VDC
Input current			mA	≤10
Low input signal			VDC	≤0.8
High input signal			VDC	≥3.2
Input signal delay			ms	≥50
NTC probe input				
Terminals				NTC-NTC

Sensor type			NTC (ordering code NTC01)
Measuring range		°C	-25...+85
Maximum connection length		mt	3
Fan power supply			
Terminals			FAN +/-
Supply voltage (internal)			5VDC (provided by DCTL)
Fan type			1 built-in fan type EXP8004
Relay outputs			
Number of relay output		Nr.	1
Contact arrangement			1 C/O-SPDT
Rated current			NO contact: AC1 5A 250VAC / 5A 30VDC NC contact: AC1 3A 250VAC / 3A 30VDC
UL/CSA and IEC/EN 60947-5-1 designation			D300
Maximum switching voltage		VAC	250
Electrical life (with rated load)		cycles	NO contact: 10x10 ³ NC contact: 20x10 ³
Mechanical life		cycles	10 ⁷
Insulations			
Rated insulation voltage Ui IEC/EN		V	480
Rated impulse withstand voltage Uimp		kV	4
Connections - power terminals			
Type of terminal			Fixed - double lock clamp
Conductor cross section			
	min	mm ²	2 x 2.5
	Max	mm ²	2 x 35
	min	AWG	2 x 18
	Max	AWG	2 x 2
Tightening torque (Max)			
		Nm	4-5
		lbin/lbft	2.95-3.69 lbft
Connections - relay output			
Type of terminal			Screw
Conductor cross section			
	min	mm ²	0.2
	Max	mm ²	4
	min	AWG	26
	Max	AWG	10
Tightening torque (Max)			
		Nm	0.8
		lbin	7
Connections - fan and digital input			
Type of terminal			Screw
Conductor cross section			
	min	mm ²	0.2
	Max	mm ²	2.5

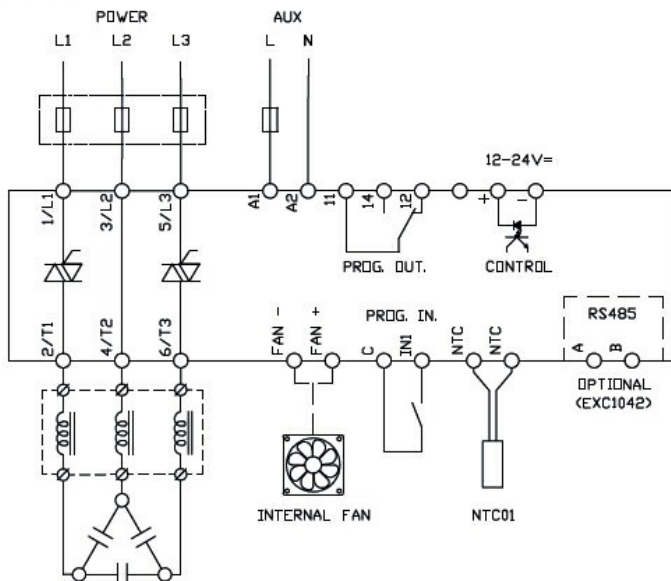
	min	AWG	24
	Max	AWG	12
<hr/>			
Tightening torque (Max)		Nm	0.44
		lbin	4
<hr/>			
Ambient conditions			
Temperature			
	Operating temperature		
	min	°C	-20
	max	°C	+45°C without derating (up to 55°C with derating)
	<hr/>		
	Storage temperature		
	min	°C	-30
	max	°C	+80
<hr/>			
Relative humidity		%	<80%
<hr/>			
Maximum Pollution degree			2
<hr/>			
Overvoltage category			III
<hr/>			
Max altitude		m	2000m without derating
<hr/>			
Climatic sequence			Z/ABDM (IEC/EN 60068-2-61)
<hr/>			
Shock resistance			15g (IEC/EN 60068-2-27)
<hr/>			
Vibration resistance			0.7g (IEC/EN 60068-2-6)
<hr/>			
Housing			
Execution			Internal panel version
<hr/>			
Material			Polycarbonate
<hr/>			
Mounting			Screw fixing or DIN-rail (IEC/EN 60715) with optional accessory EXP8003
<hr/>			
Degree of protection			IP00
<hr/>			
Dimensions (W x H x D)		mm	75 x 218 x 171.5
<hr/>			
Weight		g	1740

Dimensions



Wiring diagrams

DCTL



Certifications and compliance

Compliance

IEC/EN 60947-4-3

IEC/EN 61000-6-2

IEC/EN 61000-6-4

Certificates

cULus

ETIM classification

ETIM 8.0

EC002055 -
Solid state relay