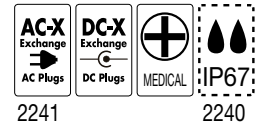


Chargers for Li-Ion batteries - switch mode

2241 LI - exchangeable / utskiftbare AC plugs

- 3-step charge control with current detection as charge termination
- Universal input voltage (90-264 VAC)
- Charging 1-7 battery cells
- Mounting bracket available
- Order mains cord separately
- Waterproof (IP67) version available
- Exchangeable AC and DC plugs
- Custom specifications on request
- Approvals:
 - Medically certified (EN 60601)
 - For updates: see www.mascot.no
- 3-trinns ladekontroll med strømdeleksjon som ladestopp
- Universal inngangsspenning (90-264 VAC)
- Opplading av 1-7 battericeller
- Kan leveres med festbrakett
- Nettledning best. separat
- Vanntett (IP67) versjon kan leveres
- Utskiftbare AC og DC plugger
- Tilpasninger leveres på forespørsel
- Godkjenninger:
 - Medisinsk sertifisert (EN 60601)
 - For oppdat.: se www.mascot.no



Technical specifications Tekniske data

Input voltage:	Inngangsspenning:	90-264 VAC
Line frequency:	Frekvensområde:	47 – 63Hz
Switch frequency, approx.:	Svitsjefrekvens ca.:	40kHz
Leakage current from battery with mains switched off:	Strømtrekk fra batteri ved frakoblet nett:	≈ 0
Temperature range	Temperaturområde	
• operating:	• drift:	-25 °C - +40 °C
• storage:	• lagring:	-25 °C - +85 °C
Ripple:	Rippel:	< 100 mV p-p
Protection:	Beskyttelse.:	Protected against reversed polarity and short circuit proof Polvendings- og kortslutningssikker
Insulation class:	Isolasjonsklasse:	II
Insulation voltage	Isolasjonsspenning	
Primary – secondary:	Primær - sekundær:	4000VAC / 5640VDC
Electrical safety:	Elektrisk sikkerhet:	EN 60601-1, EN 60950, EN 60335-2-29, UL 60601-1
EMC standards	EMC standarder	
• Medical:	• Medisinsk:	EN 60601-1-2
• Emission:	• Emisjon:	EN 61000-6-3
• Immunity:	• Immunitet:	EN 61000-6-1
Reliability (MIL-HDBK-217F):	Pålitelighet (MIL-HDBK-217F):	MTBF > 250.000h at 30°C and full load
Output terminals:	Utgangsterminaler:	Cord with/without plug Sekundærledning med / uten plugg
IP-code:	IP-grad:	4X
Dimensions (LxWxH):	Mål (LxBxH):	90 x 45 x 32mm (2240 LI)
Weight:	Vekt:	115g (215g IP67 vers.)

Versions - Versjoner

			Charge control - Ladekontroll			
			Step 1	Step 2	Step 3	
Cells	Max. output power (W)	Efficiency 100% at 230V	Charge current (orange)	Charge voltage (orange)	Charge termination I< (green)	Charge start Vbat<
Celler	Max. utg. effekt	Virkningsgrad	Ladestrøm	Ladespenning	Ladestopp I< (grønn)	Ladestart Vbat<
1	5,5	58 %	1,3A +5/-7%	4,2V +-0,05V	100mA +-25%	4,05V+0,05-0,15V
2	10,9	72 %	1,3A +5/-7%	8,4V +-0,1V		8,1V+0,1-0,15V
3	15,1	77 %	1,2A +5/-7%	12,6V +-0,1V		12,3V+0,1-0,15V
4	15,1	80 %	0,9A +5/-7%	16,8V +-0,1V		16,4V+0,1-0,15V
5	14,7	82 %	0,7A +5/-7%	21,0V +-0,1V		20,5V+0,1-0,15V
6	15,1	82 %	0,6A +5/-7%	25,2V +-0,1V		24,6V+0,1-0,15V
7	16,4	82 %	0,56A +5/-7%	29,4V +-0,1V		28,7V+0,1-0,15V

Eller nettpåslag
Or mains turned on



Exchangeable AC plug models

Modeller med utskiftbare AC pluggar

Available as / Tilgjengelig som:

Small housing / liten boks		
Base model / Grunnmodell		w exch. AC plug
Type	Description / Beskrivelse	Type
2121	AC/DC PSU, max 10W	2123
2124	AC/DC PSU, max 16W	2126
2115	NiMH battery charger, max 1,3A	2116
2240	Lead Acid batt. charger, max 1,3A	2241
2240 LI	Li-Ion batt. charger, max 1,3A	2241 LI

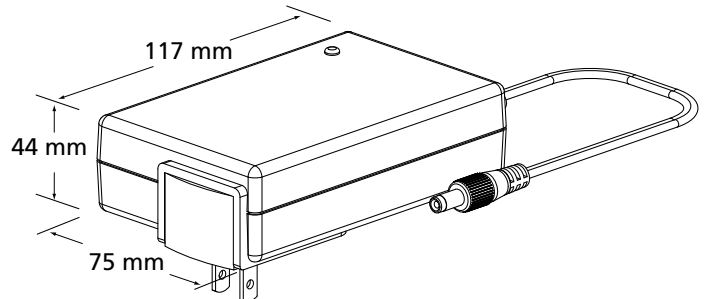
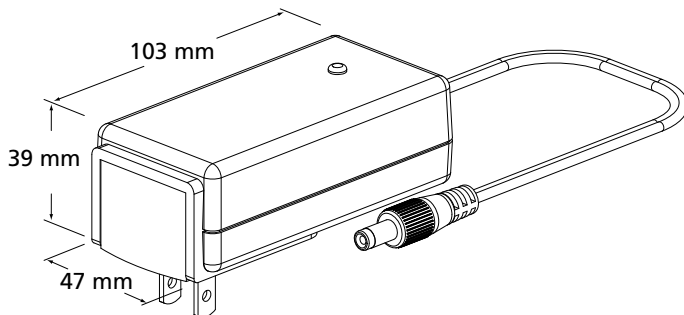
Additional housing weight (excl. plug/cord) +15 g
 Tilleggsvekt (uten plugg/ledning) +15 g

Medium housing / medium boks		
Base model / Grunnmodell		w exch. AC plug
Type	Description / Beskrivelse	Type
9921	AC/DC PSU, max 40W	9926
2720	AC/DC PSU, max 40W	2721
2541	Lead Acid batt. charger, max 2,2A	2542
9940	Lead Acid batt. charger, max 2,3A	9941
2215	NiMH battery charger, max 35W	2216
9940 LI	Li-Ion batt. charger, max 2,3A	9941 LI
2541 LI	Li-Ion batt. charger, max 2,7A	2542 LI

Additional housing weight (excl. plug/cord) +27 g
 Tilleggsvekt (uten plugg/ledning) +27 g



IEC 320 mains cord / nettleddning 1800mm EU part no. 131306,
 UK part no. 131148, US part no. 131147, AU part no. 013108



EXCHANGEABLE AC PLUG ADAPTERS

