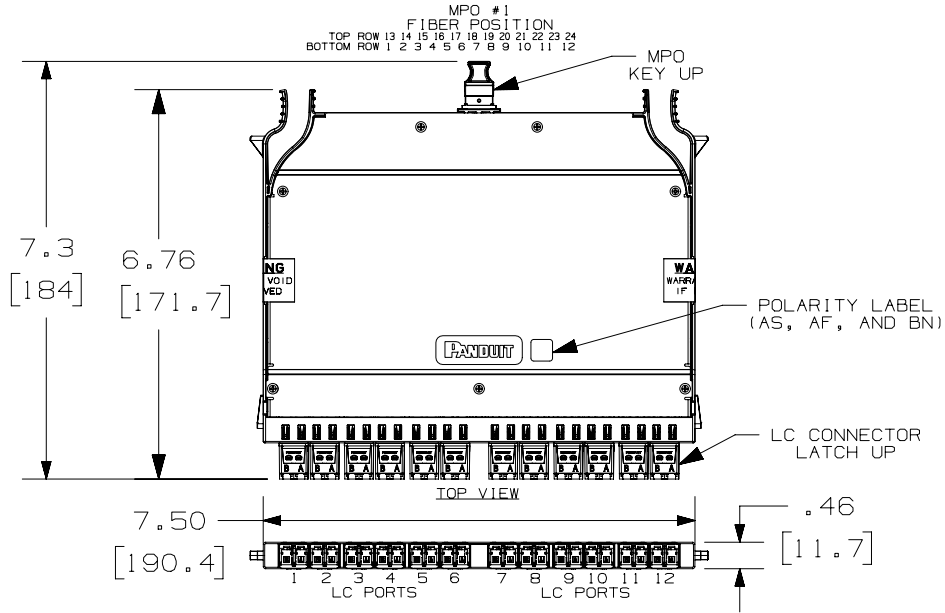
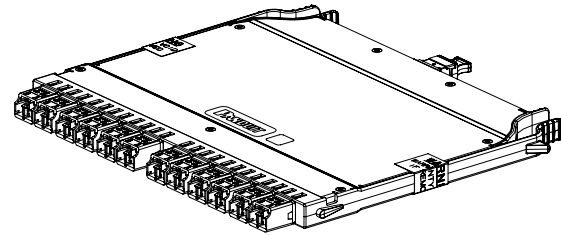


THIS COPY IS PROVIDED ON A RESTRICTED BASIS AND IS NOT TO BE USED IN ANY WAY DETRIMENTAL TO THE INTERESTS OF PANDUIT CORP.



- NOTES:
1. SEE CURRENT CATALOG FOR PART NUMBER SUFFIXES TO INDICATE COLOR AND/OR PACKAGE QUANTITIES.
  2. SEE CATALOG FOR COMPLETE LIST OF PARTS APPLICABLE FOR USE WITH THIS PRODUCT.
  3. PART NUMBERS: SEE SHEET 2 FOR ALL PART NUMBERS.
  4. CASSETTE WEIGHT: 6.2oz (175g)



FIBER POSITION FROM LC END TO MPO END																								
METHOD A 24F MPO CASSETTE (AS)																								
LC PORT NUMBER	1		2		3		4		5		6		7		8		9		10		11		12	
	B	A	B	A	B	A	B	A	B	A	B	A	B	A	B	A	B	A	B	A	B	A	B	A
MPO #1	1	13	2	14	3	15	4	16	5	17	6	18	7	19	8	20	9	21	10	22	11	23	12	24
METHOD A FLIPPED 24F MPO CASSETTE (AF)																								
LC PORT NUMBER	1		2		3		4		5		6		7		8		9		10		11		12	
	B	A	B	A	B	A	B	A	B	A	B	A	B	A	B	A	B	A	B	A	B	A	B	A
MPO #1	13	1	14	2	15	3	16	4	17	5	18	6	19	7	20	8	21	9	22	10	23	11	24	12
METHOD B 24F MPO CASSETTE (BN)																								
LC PORT NUMBER	1		2		3		4		5		6		7		8		9		10		11		12	
	B	A	B	A	B	A	B	A	B	A	B	A	B	A	B	A	B	A	B	A	B	A	B	A
MPO #1	24	12	23	11	22	10	21	9	20	8	19	7	18	6	17	5	16	4	15	3	14	2	13	1

00	09-16-16	SAT	TMSE	EJH	RELEASED TO PRODUCTION	12F187MD-DC
REV	DATE	BY	CHK	APR	DESCRIPTION	ECN

<p>TITLE</p> <p>HD FLEX CASSETTE, 12-PORT                  DUPLEX LC TO (1) 24-FIBER MPO</p> <p>CUSTOMER DRAWING</p>					
<p>ITEM REVISION NAME</p> <p>12F187MD/03</p>					
<p>DATASET FILE NAME</p> <p>12F187MD_DC/03A</p>					
<p>UNLESS OTHERWISE SPECIFIED,                  DIMENSIONAL TOLERANCES ARE: IN (mm)</p> <p>.x ± .1 (2.54)      .xxx ± .005 (.127)                  .xx ± .01 (.25)      ANGLES ± 5°</p>					
<p>MATERIAL:</p>					
<p>DRAWING NUMBER:</p> <p>12F187MD-DC</p>					
<p>DRAWN BY</p> <p>SAT</p>	<p>DATE</p> <p>09-08-16</p>	<p>CHK</p> <p>TMSE</p>	<p>SCALE</p> <p>NONE</p>	<p>SHT 1 OF 2</p>	<p>SIZE</p> <p>A</p>

