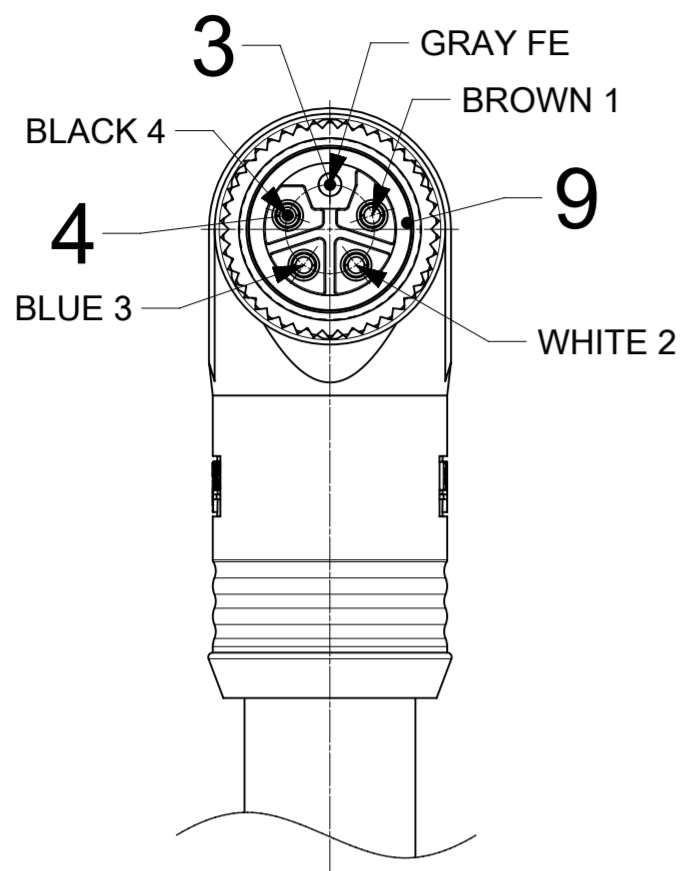
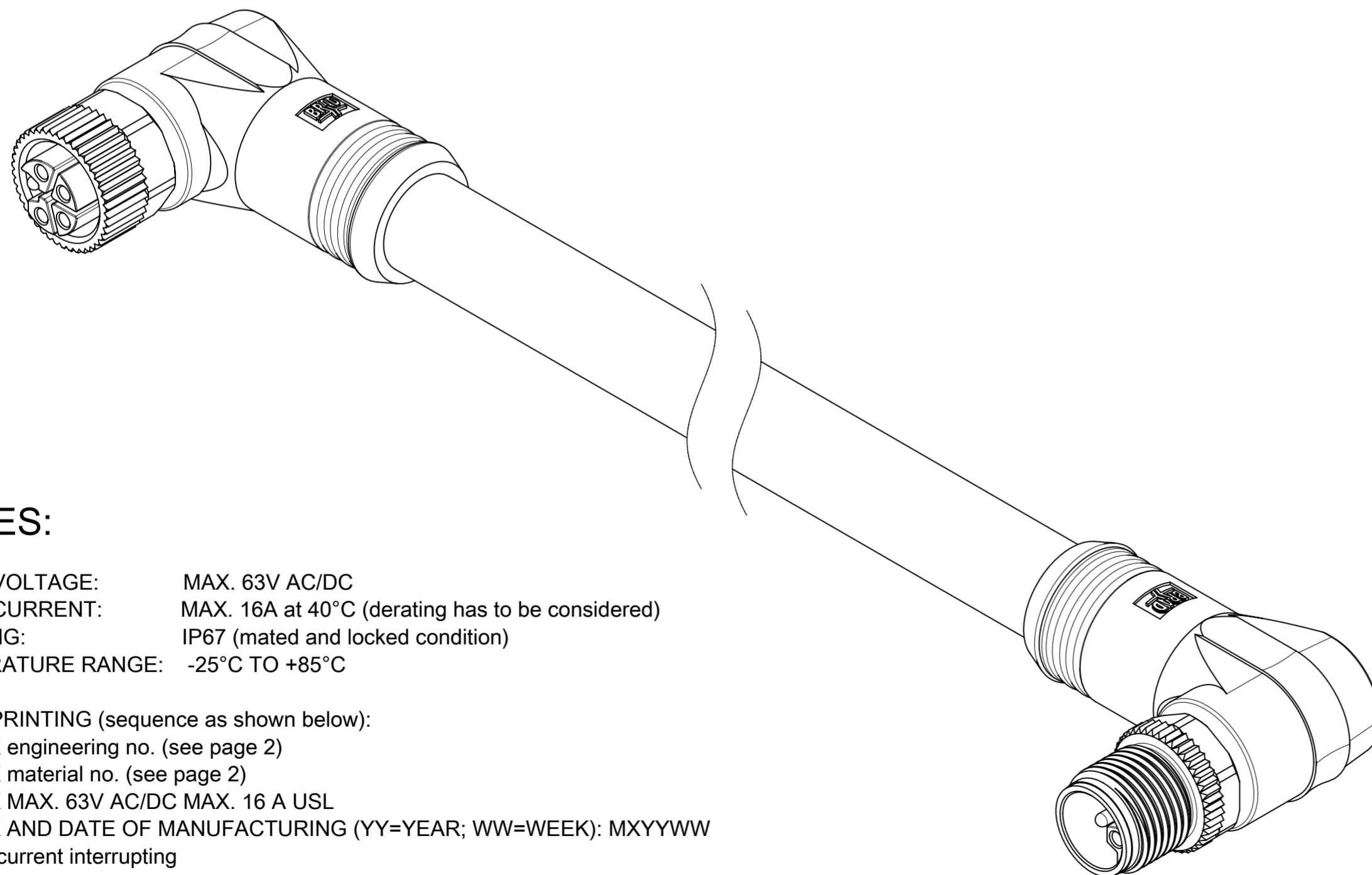
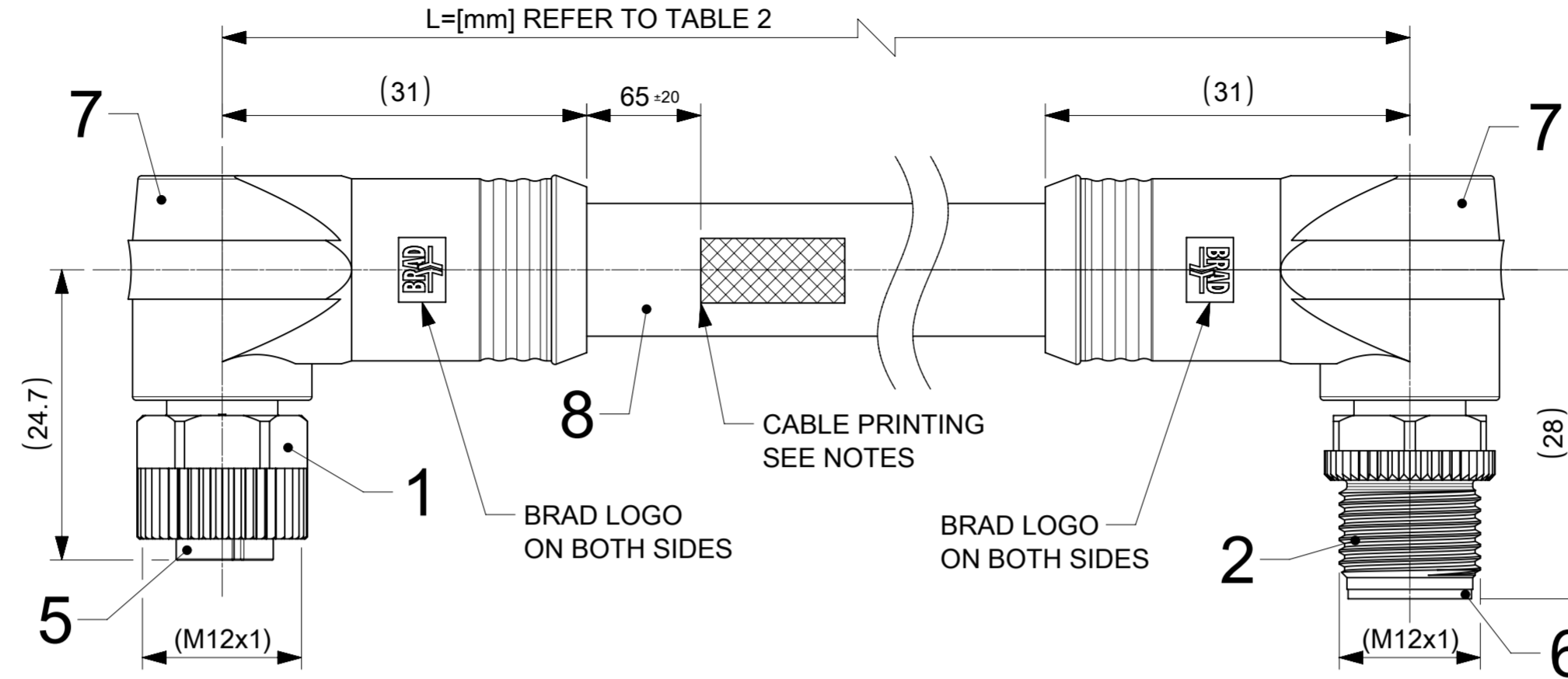
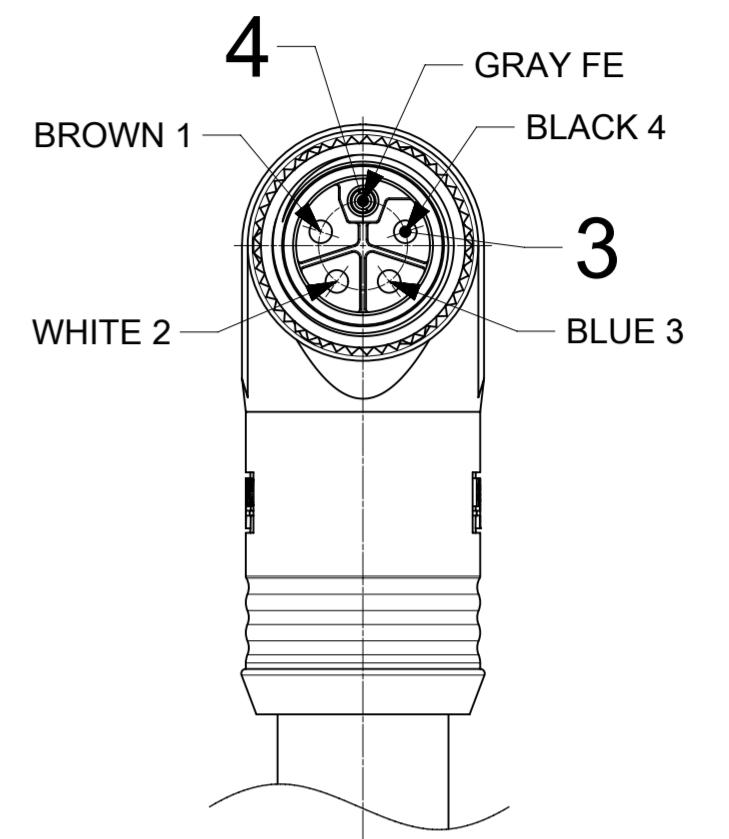


**MATING SIDE
FEMALE CONNECTOR**



**MATING SIDE
MALE CONNECTOR**



NOTES:

RATED VOLTAGE: MAX. 63V AC/DC
 RATED CURRENT: MAX. 16A at 40°C (derating has to be considered)
 IP RATING: IP67 (mated and locked condition)
 TEMPERATURE RANGE: -25°C TO +85°C

CABLE PRINTING (sequence as shown below):

- MOLEX engineering no. (see page 2)
- MOLEX material no. (see page 2)
- MOLEX MAX. 63V AC/DC MAX. 16 A USL
- MOLEX AND DATE OF MANUFACTURING (YY=YEAR; WW=WEEK): MXYWW
- Not for current interrupting
- PROFINET 24V Power 4x2,5 + FE

PART ACCORDING PRODUCT SPEC: 1205010169
 PACKAGING ACCORDING PACKAGING SPEC: 1201202000

TABLE 1

POS	DESCRIPTION	MATERIAL	FINISH
1	NUT M12 FE	BRASS	Ni
2	NUT M12 MA	BRASS	Ni
3	CONTACT 15 MA	BRASS	Au
4	CONTACT 15 FE	BRASS	Au
5	INSERT FEMALE	PA	GREY
6	INSERT MALE	PA	GREY
7	OVERMOLD	TPE	BLACK
8	CABLE 5x2.5 D11.3 WSOR	PUR	GREY
9	GASKET OR 8.2X1.25	FKM	BLACK
OPTIONAL 10	ID-CARRIER	-	-

FUNCTIONAL SYMBOLS										THIS DRAWING CONTAINS INFORMATION THAT IS PROPRIETARY TO MOLEX ELECTRONIC TECHNOLOGIES, LLC AND SHOULD NOT BE USED WITHOUT WRITTEN PERMISSION									
DIMENSION UNITS		SCALE		CURRENT REV DESC: UPDATED ATTRIBUTE TO GENERAL MARKET IN ECTR															
mm		2:1																	
GENERAL TOLERANCES (UNLESS SPECIFIED)																			
ANGULAR TOL ± 1.0°										EC NO: 735577									
4 PLACES ±				DRWN: MARUTD 2023/01/12															
3 PLACES ±				CHK'D: RSILLER 2023/01/19															
2 PLACES ± 0.05				APPR: RSILLER 2023/01/19															
1 PLACE ± 0.3				INITIAL REVISION:															
0 PLACES ± 0.5				DRWN: FDAFERNER 2020/02/11															
				APPR: RSILLER 2021/03/15															
DRAFT WHERE APPLICABLE MUST REMAIN WITHIN DIMENSIONS					THIRD ANGLE PROJECTION		DRAWING		SERIES		DOCUMENT NUMBER		DOC TYPE		DOC PART		REVISION		
					A2-SIZE		120501		SEE TABLE 2		GENERAL MARKET		PSD		000		A1		
											MATERIAL NUMBER		CUSTOMER				SHEET NUMBER		
											1205010124		GENERAL MARKET				1 OF 2		

ENGINEERING NO - NUMERICAL CODE (Available parts see PART LIST table. Other parts available upon request).

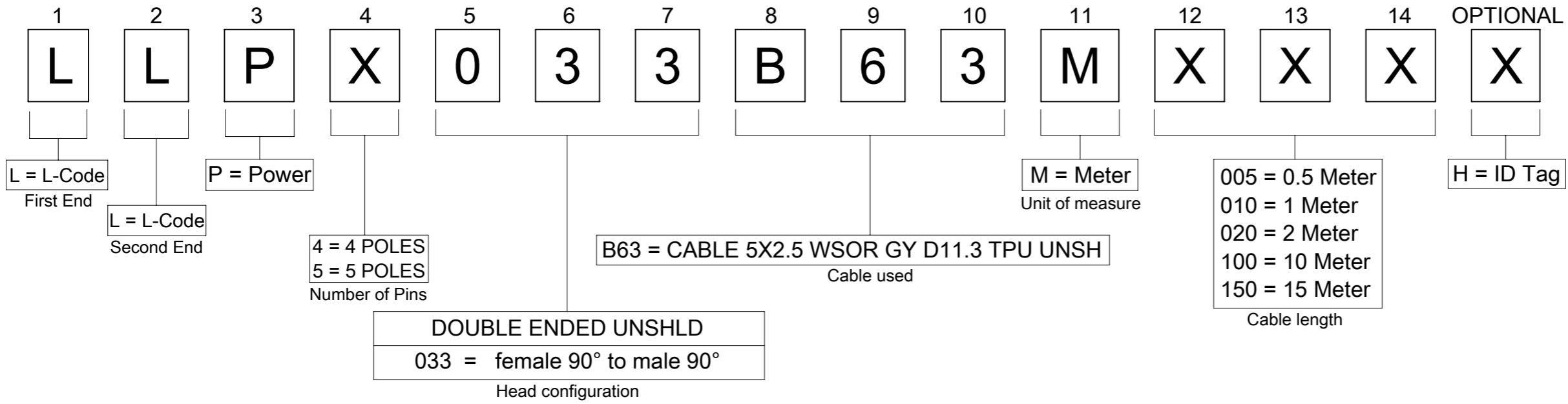


TABLE 2

NOMINAL SECTION 2,5mm ²			
MATERIAL NO.	ENGINEERING NO.	L [mm]	TOLERANCE [mm]
1205010124	LLP5033B63M005	500	+40
1205010125	LLP5033B63M010	1000	+40
1205010126	LLP5033B63M020	2000	+60
1205010127	LLP5033B63M030	3000	+60
1205010128	LLP5033B63M050	5000	+60
1205010129	LLP5033B63M100	10000	+80
1205010130	LLP5033B63M150	15000	+140
1205010131	LLP5033B63M200	20000	+140
DOCUMENT STATUS	P1	RELEASE DATE	2023/01/19 11:13:43

FUNCTIONAL SYMBOLS	THIS DRAWING CONTAINS INFORMATION THAT IS PROPRIETARY TO MOLEX ELECTRONIC TECHNOLOGIES, LLC AND SHOULD NOT BE USED WITHOUT WRITTEN PERMISSION		
	DIMENSION UNITS mm	SCALE 1:1	CURRENT REV DESC: UPDATED ATTRIBUTE TO GENERAL MARKET IN ECTR
DIVISIONAL SYMBOLS	GENERAL TOLERANCES (UNLESS SPECIFIED)		
	ANGULAR TOL ± 1.0°		
	4 PLACES	±	
	3 PLACES	±	
	2 PLACES	±	0.05
1 PLACE	±	0.3	
0 PLACES	±	0.5	
DRAFT WHERE APPLICABLE MUST REMAIN WITHIN DIMENSIONS		THIRD ANGLE PROJECTION	DRAWING
			A3-SIZE
		SERIES	120501
		MATERIAL NUMBER	SEE TABLE 2
		CUSTOMER	GENERAL MARKET
		DOC TYPE	PSD
		DOC PART	000
		REVISION	A1
		SHEET NUMBER	2 OF 2



CSE M12 5P LC FE RA MA RA WSOR GY XM

PRODUCT CUSTOMER DRAWING

1205010124

PSD 000 A1