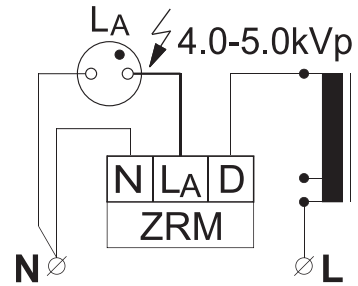
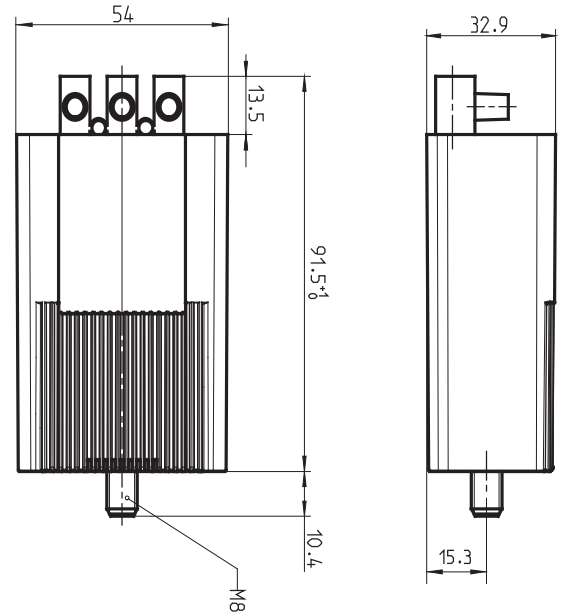


ZRM 12-ES/C

Lampen	250W	400W	600W	750W	1000W
HI/MBI	●	●	●		●
HS/SON	●	●	●	●	●

Type	ZRM 12-ES/C	
Rated voltage	V	220-240
Permitted input voltage	V	198-264
Mains frequency	Hz	50-60
Ignition voltage	kV	4.0-5.0
Lamp wattage HS	W	250-1000
Lamp wattage HI	W	250-1000
Temperature rise at IB = 3.0A (250W)	K	2.9
IB = 4.6A (400W)	K	5.9
IB = 6.2A (600W)	K	10.3
IB = 7.0A (750W)	K	13.2
IB = 10.3A (1000W)	K	27.2
IB = 12A (max.)	K	~36.6
Losses at IB = 3.0A (250W)	W	~0.35
IB = 4.6A (400W)	W	~0.82
IB = 6.2A (600W)	W	~1.54
IB = 7.0A (750W)	W	~2.02
IB = 10.3A (1000W)	W	~4.68
IB = 12A (max.)	W	~6.73
Max. cable capacitance	pF	200
Max. distance from lamp	m	1.5
Max. housing temperature t_c	°C	105
Min. operating temperature	°C	-30
Weight	kg	0.33



mat.no.:		material:			surface /aftertreatment:			
modifi.no.	modification date	name	general tolerances:		2015	date	name	
1			DATASHEET ZRM 12-ES/C		drawn			
2					approv.			
3					scale	1 : 1		
4					drawing number		F	I
5					15004494		4 0	
6					european projection		copyright	
7							according to ISO 16016	
8								
9								