

**Fiche produit**

Article n° 96.031.6053.1

**Connexion de périphériques RST20I3S B1 M00 SW**

RST 20i3/2 connexion de l'appareil M20, 3 pôles, femelle, connexion à vis, modulaire, application 250V, 20A, codage couleur noir, couleur du boîtier noir



|                   |               |
|-------------------|---------------|
| Article n°        | 96.031.6053.1 |
| EAN               | 4015573793200 |
| Unité de commande | 100 Piece(s)  |

**certificats/approbations**

**Données techniques**
**Remarque**

|          |                     |
|----------|---------------------|
| Remarque | Bande de fréquences |
|----------|---------------------|

**général**

|   |   |
|---|---|
| Courant nominal                                   | 20 A                                      |
| Tension nominale                                  | 250 V                                     |
| Degré de pollution                                | 3   |
| Tension nominale d'impulsion                      | 4 kV                                      |
| emboîtable  | auto-bloquant (déverrouillable par outil) |
| Couleur de codage / contact support               | noir                                      |
| Marquage des pôles                                | L, N, PE                                  |
| Couleur de l'adaptateur séparé (s'il est présent) | noir                                      |

**données de connexion**

|                              |                      |
|------------------------------|----------------------|
| section du connecteur solide | 6 mm <sup>2</sup>    |
| section solide 2             | 0,75 mm <sup>2</sup> |
| pour les pièces à souder     | 6 mm <sup>2</sup>    |
| Section multifilaire 2       | 0,75 mm <sup>2</sup> |
| terminaison par pôle         | 1                    |
| Longueur de la bande de fil  | 8 mm                 |

**Model**

|  |                       |
|--|-----------------------|
| Model  | bus                   |
| Type de connexion                              | Connexion à vis       |
| raccordement par filetage métrique             | M20                   |
| angle de connexion                             | droit                 |
| Degré de protection (IP)                       | IP66/68 (3m;2h) /IP69 |
| Epaisseur des boîtiers (appareil électrique) 2 | 0,5 mm                |
| Epaisseur des boîtiers (appareil électrique)   | 8 mm                  |

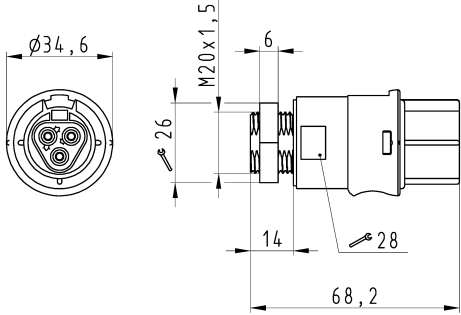
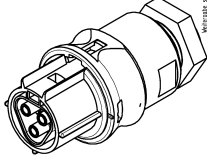
**matériel**

|   |               |
|---|---------------|
| matière du boîtier                              | Polyamide     |
| Sans halogène                                   | Oui           |
| matériau de contact                             | CuZn          |
| résistance au feu                               | 0,211 kWh     |
| Isolation des composants à température continue | 100 °C        |
| Finition de surface                             | Plaqué argent |

**Dimensions**

|          |         |
|----------|---------|
| Longueur | 68,2 mm |
| largeur  | 35 mm   |
| hauteur  | 35 mm   |

**Dessin technique**

|   |  |                              |                                 |                                 |               |                           |                          |                                |              |                 |   |                   |  |               |     |           |  |                                 |  |      |            |                              |  |  |  |       |             |  |      |                 |  |                   |                          |  |                                 |  |  |
|---|--|------------------------------|---------------------------------|---------------------------------|---------------|---------------------------|--------------------------|--------------------------------|--------------|-----------------|---|-------------------|--|---------------|-----|-----------|--|---------------------------------|--|------|------------|------------------------------|--|--|--|-------|-------------|--|------|-----------------|--|-------------------|--------------------------|--|---------------------------------|--|--|
|  <p style="text-align: center;">         Öffnungsmassbild siehe 96.031.2053.1 14K<br/>         opening dimension see 96.031.2053.1 14K       </p>   | <p style="text-align: center;"><b>Auslieferungszustand</b><br/>delivery status</p>  <p style="text-align: center;">         Verpackungseinheit: je 100 Stück<br/>         packaging unit: per 100       </p> <table border="1" style="width: 100%; border-collapse: collapse; font-size: 8px;"> <tr> <td>96.031.6053.1</td> <td>RST2013S B1 M00 SW</td> <td>Schwarz<br/>/black</td> </tr> <tr> <td>96.031.6053.0</td> <td>RST2013S B1 M00 GL</td> <td>lichtgrau<br/>/light grey</td> </tr> <tr> <td>Bestellnummer<br/>/Order number</td> <td>Typ<br/>/Type</td> <td>Farbe<br/>/Color</td> </tr> </table> <p style="font-size: 8px;"> <b>Weitere Daten siehe KATALOG oder eCatalog.</b><br/> <b>Additional data see CATALOG or eCatalog.</b><br/> <a href="http://www.wieland-electric.com">www.wieland-electric.com</a><br/> <a href="mailto:eshop@wieland-electric.com">eshop@wieland-electric.com</a> </p> | 96.031.6053.1                | RST2013S B1 M00 SW              | Schwarz<br>/black               | 96.031.6053.0 | RST2013S B1 M00 GL        | lichtgrau<br>/light grey | Bestellnummer<br>/Order number | Typ<br>/Type | Farbe<br>/Color |   |                   |  |               |     |           |  |                                 |  |      |            |                              |  |  |  |       |             |  |      |                 |  |                   |                          |  |                                 |  |  |
| 96.031.6053.1   | RST2013S B1 M00 SW   | Schwarz<br>/black            |                                 |                                 |               |                           |                          |                                |              |                 |   |                   |  |               |     |           |  |                                 |  |      |            |                              |  |  |  |       |             |  |      |                 |  |                   |                          |  |                                 |  |  |
| 96.031.6053.0   | RST2013S B1 M00 GL   | lichtgrau<br>/light grey     |                                 |                                 |               |                           |                          |                                |              |                 |   |                   |  |               |     |           |  |                                 |  |      |            |                              |  |  |  |       |             |  |      |                 |  |                   |                          |  |                                 |  |  |
| Bestellnummer<br>/Order number  | Typ<br>/Type   | Farbe<br>/Color              |                                 |                                 |               |                           |                          |                                |              |                 |   |                   |  |               |     |           |  |                                 |  |      |            |                              |  |  |  |       |             |  |      |                 |  |                   |                          |  |                                 |  |  |
| <p>           Toleranzierung Size ISO 14405 (Tolerance system Size ISO 14405) / je type 20 Startfehlertoleranz und Detailtoleranz siehe auch WM 5010.010 für Anwendung.<br/>           (This ISO standard describes the envelope principle. According to the envelope principle the deviations of form and position/tolerance are limited by the size tolerances.)<br/>           (This ISO standard describes the envelope principle. According to the envelope principle the deviations of form and position/tolerance are limited by the size tolerances.)<br/>           Conformity with Wieland document WM 5010.010 if listed as prohibited / decorative hazardous substances) to be declared!         </p> <p>           Zeichnung: kein mechanisches Maßprogramm (CAD - drawing, no mechanical measuring program) / 1:1 / 1:1<br/>           Zeichnung: kein mechanisches Maßprogramm (CAD - drawing, no mechanical measuring program) / 1:1 / 1:1<br/>           Zeichnung: kein mechanisches Maßprogramm (CAD - drawing, no mechanical measuring program) / 1:1 / 1:1         </p> <table border="1" style="width: 100%; border-collapse: collapse; font-size: 8px;"> <tr> <td>Werkstoff/Material</td> <td>Z015</td> <td>Tag/Date</td> <td>Name</td> <td>Zeichnung Nr./Drawing No.</td> <td>Index</td> </tr> <tr> <td>Herstellung</td> <td>15.07.</td> <td>Nagengast F.</td> <td>T</td> <td>96.031.6053.0 13K</td> <td></td> </tr> <tr> <td>Maßstab/Scale</td> <td>1:1</td> <td>Erreichte</td> <td></td> <td colspan="2" style="text-align: center;">Maße in mm/Dimensions are in mm</td> </tr> <tr> <td>Vol.</td> <td>011./Ser1.</td> <td>Ersetzt für/Replacement for:</td> <td colspan="3"></td> </tr> <tr> <td>Index</td> <td colspan="2">www.wieland</td> <td>Type</td> <td colspan="2">Benennung/Title</td> </tr> <tr> <td>Änderung/Revision</td> <td colspan="2">www.wieland-electric.com</td> <td colspan="3" style="text-align: center;">BUCHSENTEIL<br/>female connector</td> </tr> </table> |  | Werkstoff/Material           | Z015                            | Tag/Date                        | Name          | Zeichnung Nr./Drawing No. | Index                    | Herstellung                    | 15.07.       | Nagengast F.    | T | 96.031.6053.0 13K |  | Maßstab/Scale | 1:1 | Erreichte |  | Maße in mm/Dimensions are in mm |  | Vol. | 011./Ser1. | Ersetzt für/Replacement for: |  |  |  | Index | www.wieland |  | Type | Benennung/Title |  | Änderung/Revision | www.wieland-electric.com |  | BUCHSENTEIL<br>female connector |  |  |
| Werkstoff/Material  | Z015   | Tag/Date                     | Name                            | Zeichnung Nr./Drawing No.       | Index         |                           |                          |                                |              |                 |   |                   |  |               |     |           |  |                                 |  |      |            |                              |  |  |  |       |             |  |      |                 |  |                   |                          |  |                                 |  |  |
| Herstellung   | 15.07.   | Nagengast F.                 | T                               | 96.031.6053.0 13K               |               |                           |                          |                                |              |                 |   |                   |  |               |     |           |  |                                 |  |      |            |                              |  |  |  |       |             |  |      |                 |  |                   |                          |  |                                 |  |  |
| Maßstab/Scale   | 1:1  | Erreichte                    |                                 | Maße in mm/Dimensions are in mm |               |                           |                          |                                |              |                 |   |                   |  |               |     |           |  |                                 |  |      |            |                              |  |  |  |       |             |  |      |                 |  |                   |                          |  |                                 |  |  |
| Vol.  | 011./Ser1.   | Ersetzt für/Replacement for: |                                 |                                 |               |                           |                          |                                |              |                 |   |                   |  |               |     |           |  |                                 |  |      |            |                              |  |  |  |       |             |  |      |                 |  |                   |                          |  |                                 |  |  |
| Index   | www.wieland  |                              | Type                            | Benennung/Title                 |               |                           |                          |                                |              |                 |   |                   |  |               |     |           |  |                                 |  |      |            |                              |  |  |  |       |             |  |      |                 |  |                   |                          |  |                                 |  |  |
| Änderung/Revision   | www.wieland-electric.com   |                              | BUCHSENTEIL<br>female connector |                                 |               |                           |                          |                                |              |                 |   |                   |  |               |     |           |  |                                 |  |      |            |                              |  |  |  |       |             |  |      |                 |  |                   |                          |  |                                 |  |  |