



USB Light Strip Kit (ACD01)

The USB Light Strip Kit is designed to illuminate the inside of a cabinet to improve visibility when the cabinet door is open. The Light Strip also provides added security by signaling when the cabinet door is opened.

Note: The USB Light Strip Kit is only designed to connect to a G5 iPDU. Connecting it to another device may result in damage.

INVENTORY



USB Light Strip

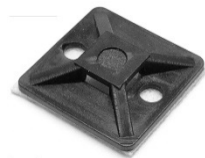
Door Switch
Sensor



Cable Ties



Adhesive
Backed Mounts



Double-Sided
Tape



Screws



OPTIONAL ACCESSORIES



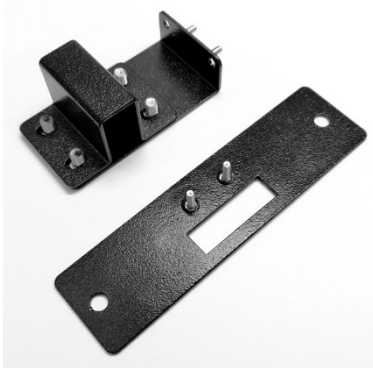
Quick Disconnect
Coupler

Panduit PN: CC5E88BL



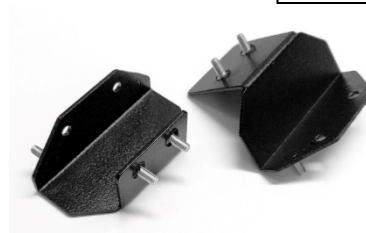
Standard Ethernet
Cable (2m)

Panduit PN: UTP28CH2MBL



Panduit Full-Door
Mounting Kit for
Magnetic Sensors

Panduit PN: MA015



Panduit Split-Door
Mounting Kit for
Magnetic Sensors

Panduit PN: MA016

INSTALLATION INSTRUCTIONS

NOTE: The USB Light Strip Kit **must** be installed with the included Door Switch Sensor for proper operation.

Door Switch Sensor Installation

NOTE: For ease of installation of the Door Switch Sensor's magnetic switch and magnet in Panduit cabinets, use Full-Door Sensor Bracket Kit (Panduit PN: MA015) or Split-Door Sensor Bracket Kit (Panduit PN: MA016). Installation instructions and hardware are included with the bracket kits.

1. Attach the Door Switch Sensor's magnet to the top corner of the cabinet using double-sided tape, screws, or optional bracket hardware. See Figure 1.
2. Attach the Door Switch Sensor's magnetic switch to the top corner of the cabinet door opposite the magnet using double-sided tape, screws, or optional bracket hardware. See Figure 1. Route and secure the cable to the cabinet door using the included adhesive backed mount and cable ties as needed.

NOTE: The operating distance between the Magnetic Switch and the Magnet is dependent on the installation. In a typical installation the distance between the Magnetic Switch and Magnet should be less than 10mm when the cabinet door is in the closed position. Greater distances may cause the G5 iPDU to read the door as "OPEN".

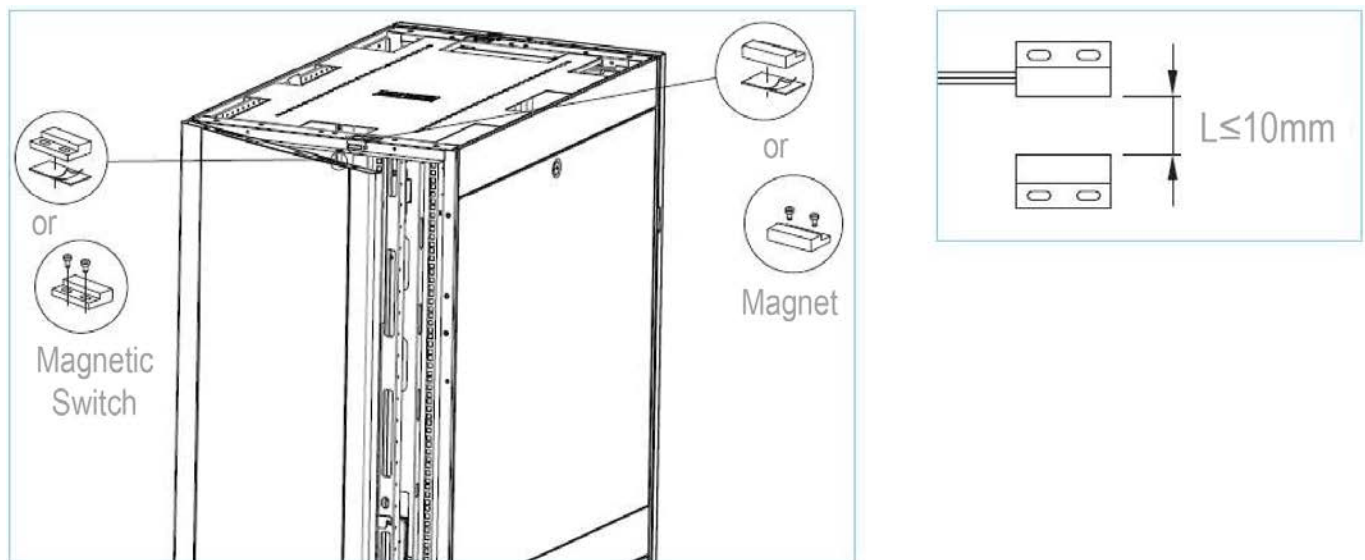


Figure 1: Door Switch Sensor's Magnetic Switch and Magnet Placement

3. Plug the Door Switch Sensor into an available Sensor port on the G5 iPDU.
4. The Door Switch Sensor's status can be read from the iPDU's display or when viewing the web-interface.
5. Access the G5 iPDU Web Interface to manage the Access Security configuration alarms and notification settings.
6. The Door Switch Sensor is now installed and ready for use.

USB Light Strip Installation

1. Place the Light Strip in the cabinet using the pre-installed magnetic rings.
 2. Connect the USB Harness from the Light Strip to the USB port on the iPDU.
- Note:** The USB Harness contains an additional USB port that can be used for firmware updates, downloads, and additional USB functions while the Light Strip Kit is installed.
3. Route and secure the USB Harness using the included adhesive backed mounts and cable ties.
 4. The USB Light Strip is now installed and ready use.