



Product designation	Surge Protection Device (SPD)
Product type designation	SA1B
Operating voltage type	AC
Application	AC Power lines
Number of poles	1P+N
Number of DIN modules	4
Relay output	Yes
SPD according to IEC/EN 61643-11	YES

Electrical features

IEC Maximum continuous voltage U_c	V	320
IEC Impulse current I_{imp} 10/350 (L-N/N-PE)	kA	25
IEC Maximum discharge current I_{max} 8/20 (L-N/N-PE)	kA	100 / 100
IEC Rated discharge current (IEC) I_n 8/20 (L-N/N-PE)	kA	25
IEC Voltage protection level U_p (L-N/N-PE)	kV	<1.4 / <1.3
Temporary overvoltage (TOV) withstand U_t (L-N for 5s)	V	334
Temporary overvoltage (TOV) safe fail (L-N for 120min)	V	438
Temporary overvoltage (TOV) withstand (N-PE for 200ms)	V/A	1200V / 300A
IEC Residual voltage U_{res} (L-N/N-PE) at 5kA (8/20)	kV	1
IEC Follow current I_f (N-PE) rms	A	>100
Tripping time t_a (L-N/N-PE)	ns	<25 / 100
Thermal insulation protection		YES
IEC Backup protection fuse with supply line fuse >250A (L-N/N-PE)	Class/A	250A gL/gG
IEC Maximum short circuit current at 50Hz	kA	50

Status indicator - operating / end of life	Frontal indication/Aux contact
--	--------------------------------

Ambient conditions

Operating temperature	min	°C	-40
	max	°C	+80
Max altitude		m	2000

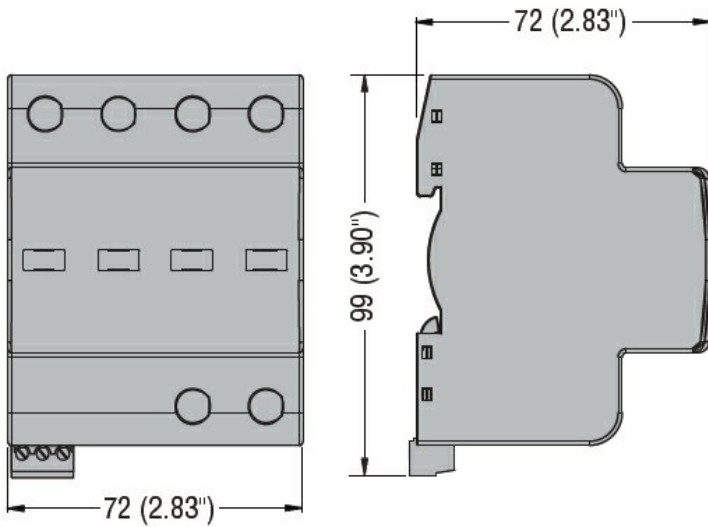
Mechanical features

Fixing		Din rail
Conductor section Flexible max (IEC)	mm ²	25
Conductor section Rigid max (IEC)	mm ²	35
Weight	g	390

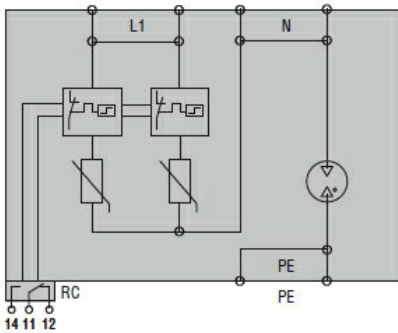
Relay output for remote status indication

Type of contact		CO	
Rated current at	125V AC	A	3
	250V AC	A	0.5
	125V DC	A	0.2
	250V DC	A	0.1

Dimensions



Wiring diagrams



Certifications and compliance

Compliance

IEC/EN 61643-11

Certificates

EAC

ETIM classification

ETIM 8.0

EC000941 -
Surge protection
device for power
supply systems