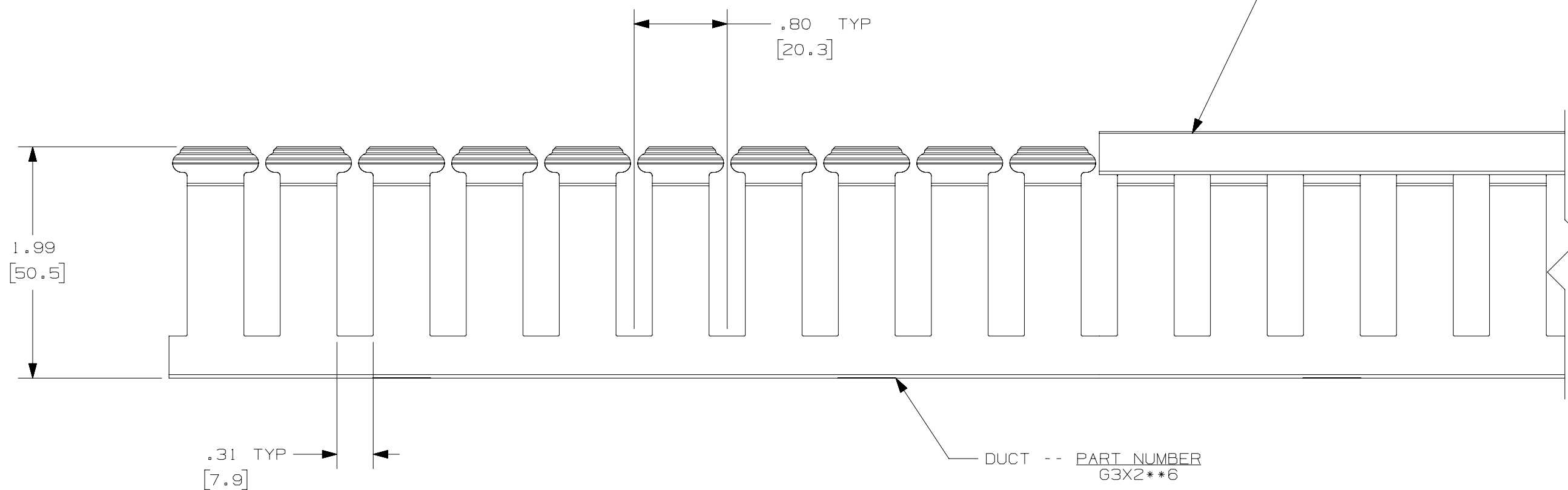
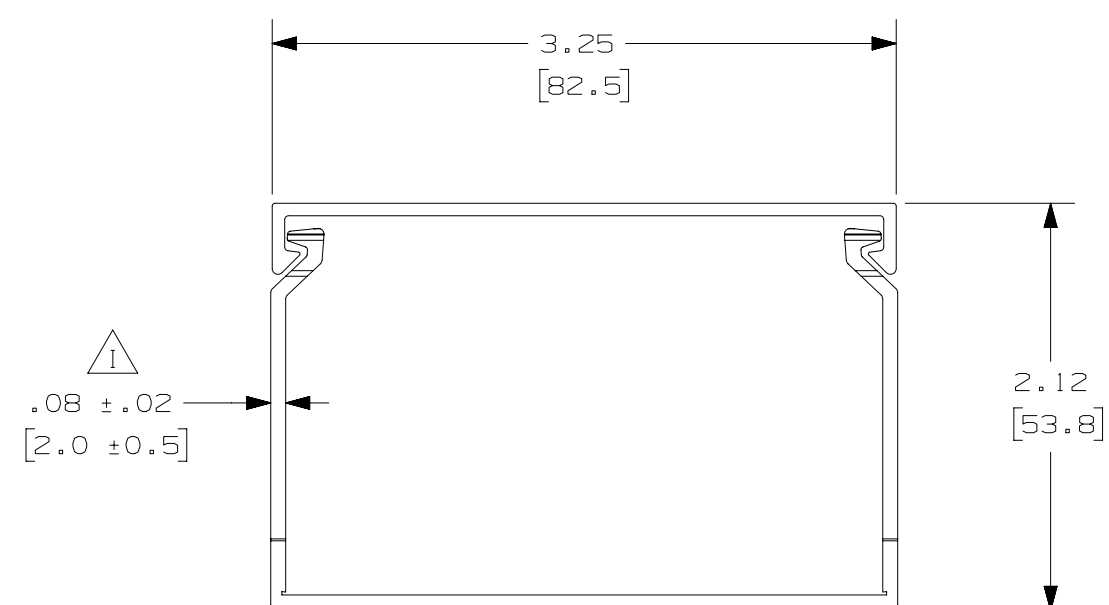


COVER -- PART NUMBER C3\*\*6



NOTES:

1. ALL DIMENSIONS ARE REFERENCE ONLY.
2. DIMENSIONS IN PARENTHESIS ARE METRIC.
3. THE \*\* DENOTE COLOR.
4. DUCT AND COVER ARE AVAILABLE IN 6 FT [1828.8] LENGTHS.

| REV | DATE     | BY  | CHK  | APR  | DESCRIPTION                             | ECN       |
|-----|----------|-----|------|------|---|-----------|
| 4   | 04-29-16 | BDK | MRJS | RGRO | I. ADDED TOLERANCE                      | 36897-710 |
| 3   | 03-04-13 | JBN | RTFI | RTFI | H. UPDATED DRAWING BORDER & TITLE BLOCK | 36897-710 |

|  |          |     |       |            |  |                         |
|--|----------|-----|-------|------------|--|-------------------------|
| TITLE<br><b>WIRING DUCT - TYPE G DUCT WITH COVER</b><br>3 X 2      |          |     |       |            |  |                         |
| CONTROL DRAWING  |          |     |       |            |  |                         |
| ITEM REVISION NAME<br>D11000X/00                                   |          |     |       |            |  |                         |
| DATASET FILE NAME<br>D11000X_DC/00E                                |          |     |       |            |  |                         |
| UNLESS OTHERWISE SPECIFIED,<br>DIMENSIONAL TOLERANCES ARE: 1N (mm) |          |     |       |            |  | MATERIAL:<br><b>PVC</b> |
| DRAWING NUMBER:<br>36897-710                                       |          |     |       |            |  | SIZE<br>C               |
| THIRD ANGLE PROJECTION   |          |     |       |            |  |                         |
| DRAWN BY   | DATE     | CHK | SCALE | SHT 1 OF 1 |  |                         |
| JCST   | 02-28-03 | JGG |       |            |  |                         |