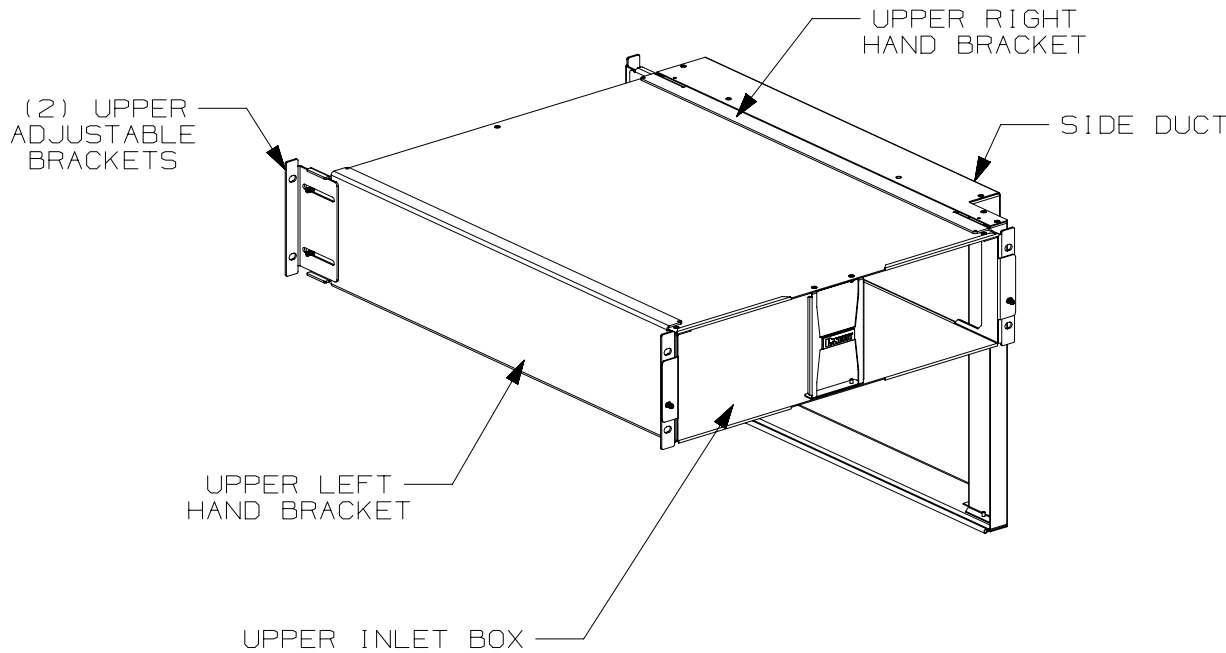


THIS COPY IS PROVIDED ON A RESTRICTED BASIS AND IS NOT TO BE USED IN ANY WAY DETRIMENTAL TO THE INTERESTS OF PANDUIT CORP.

PANDUIT PART NO.	WEIGHT
DIRLC25S23W	25.41 LBS (11.53 kg)



NOTES:

- VISIT OUR ONLINE CATALOG AT WWW.PANDUIT.COM FOR A LIST OF CURRENT PARTS APPLICABLE FOR USE WITH THIS PRODUCT.
- PRIMARY DIMENSIONS ARE IN MILLIMETERS (mm). DIMENSIONS IN PARENTHESES ARE IN INCHES (IN).
- INLET DUCT TO BE USED WITH CISCO 6880
- PARTS SUPPLIED:
 - (1) SIDE DUCT
 - (1) UPPER INLET BOX
 - (1) UPPER RIGHT HAND BRACKET
 - (1) UPPER LEFT HAND BRACKET
 - (2) UPPER ADJUSTABLE BRACKETS
 - (1) LOWER ADJUSTABLE BRACKET
 - (1) HARDWARE KIT

D10100DA/16

REV	DATE	BY	CHK	APR	DESCRIPTION	ECN
01A	3/24/15	MEX-JAGC	BSN	BSN	RELEASED	V09000HI

TITLE INLET DUCT FOR CISCO 6880 (DIRLC25S23W) CUSTOMER DRAWING					
ITEM REVISION NAME 14V424AD/01			PANDUIT		
DATASET FILE NAME 14V424AD_DC/01A					
MATERIAL: N/A					DRAWING NUMBER: 14V424AD-DC
DRAWN BY MEX-JAGC		DATE 3/24/15	CHK BSN	SCALE N/A	SHT 1 OF 3
THIRD ANGLE PROJECTION				SIZE A	

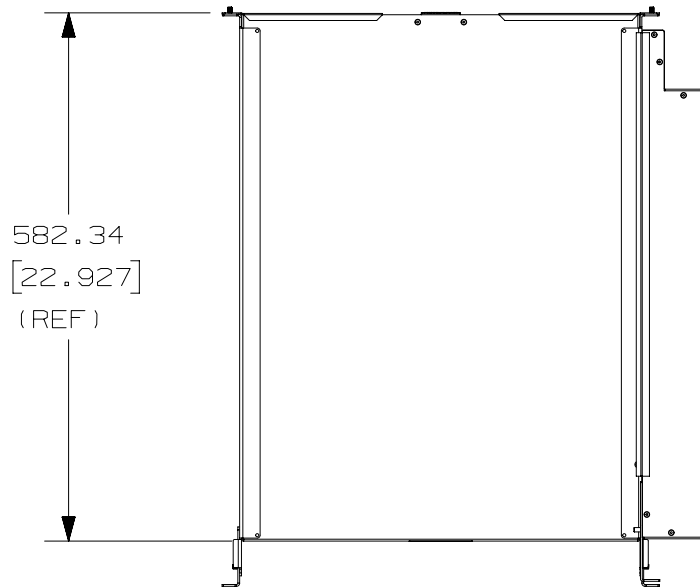
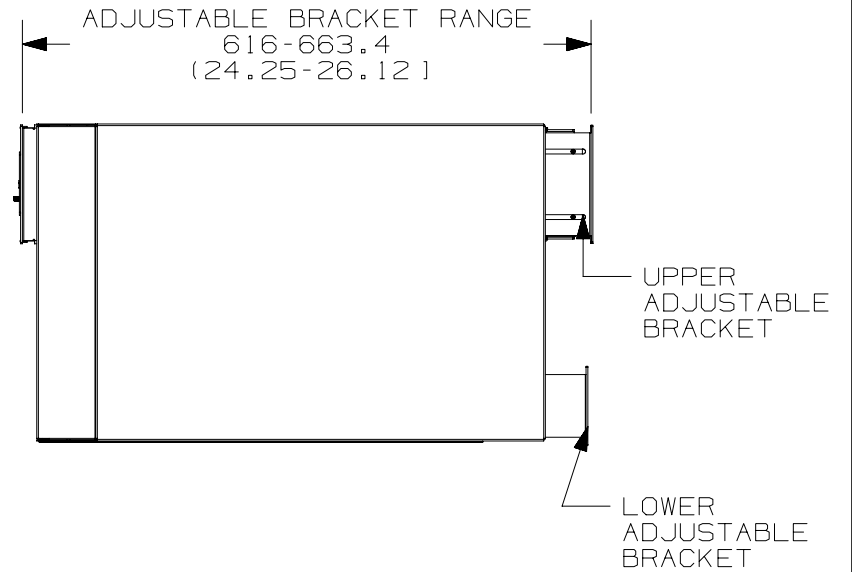
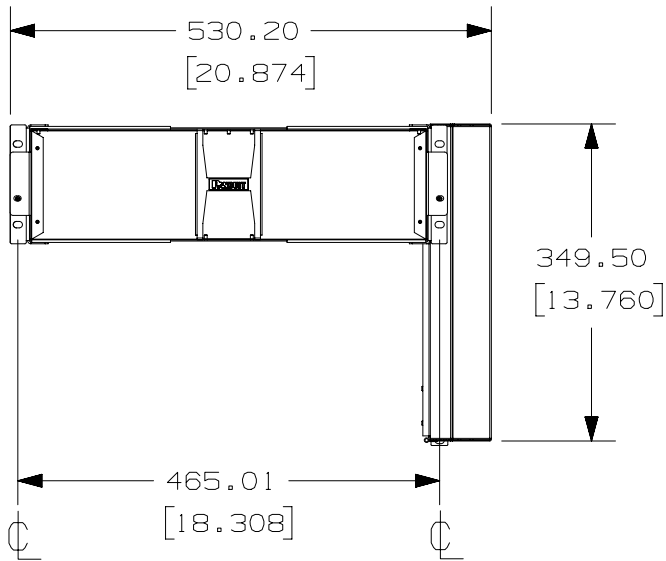
2

1

2

1

THIS COPY IS PROVIDED ON A RESTRICTED BASIS AND IS NOT TO BE USED IN ANY WAY DETRIMENTAL TO THE INTERESTS OF PANDUIT CORP.



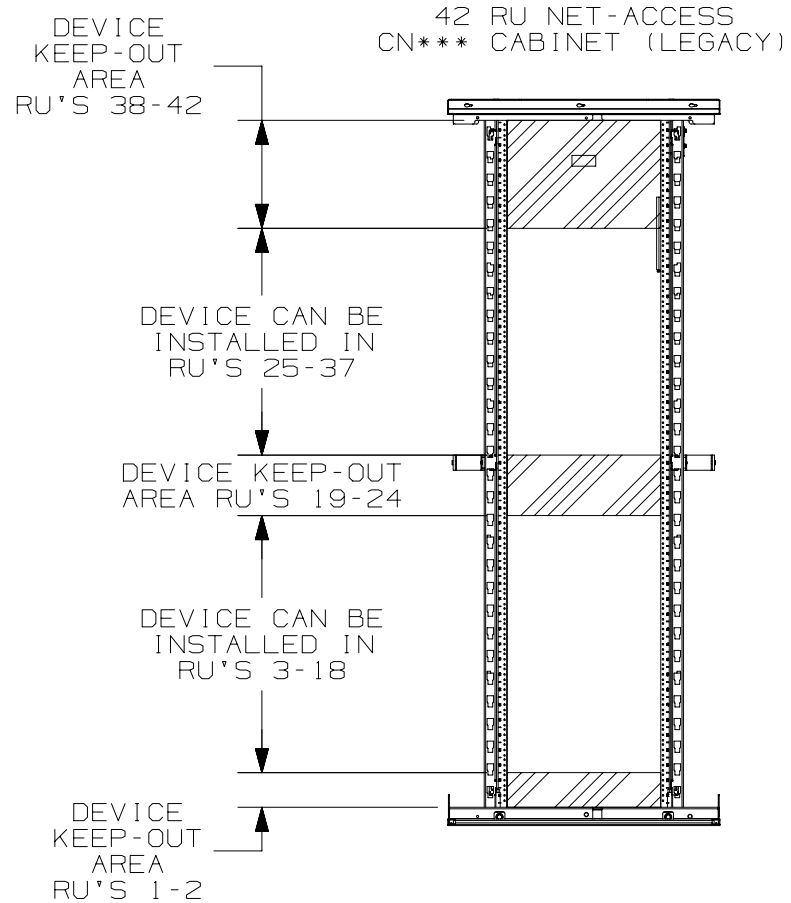
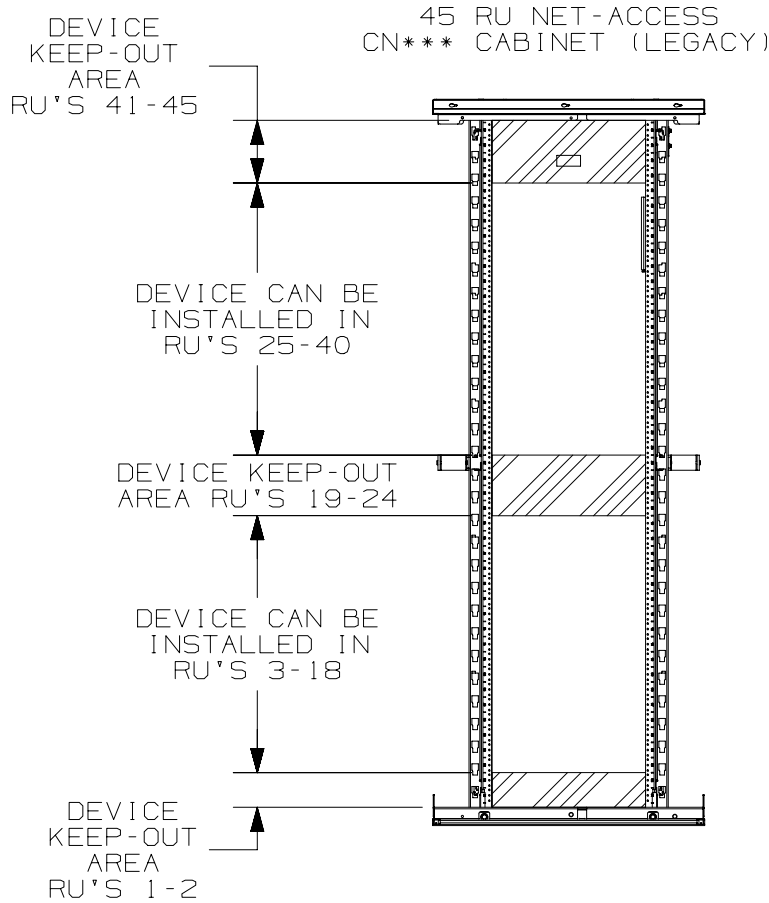
TITLE		INLET DUCT FOR CISCO 6880 (DIRLC25S23W) CUSTOMER DRAWING	
ITEM REVISION NAME		14V424AD/01	PANDUIT
DATASET FILE NAME		14V424AD_DC/01A	
MATERIAL:		N/A	
DRAWING NUMBER:		14V424AD	
DRAWN BY		MEX-JAGC	THIRD ANGLE PROJECTION
DATE		3/24/15	
CHK		BSN	SCALE N/A
DESCRIPTION		SHT 2 OF 3	
ECN		V09000HI	
REV		A	

01A	3/24/15	MEX-JAGC	BSN	BSN	RELEASED	V09000HI
REV	DATE	BY	CHK	APR	DESCRIPTION	ECN

D10100DA/16

THIS COPY IS PROVIDED ON A RESTRICTED BASIS AND IS NOT TO BE USED IN ANY WAY DETRIMENTAL TO THE INTERESTS OF PANDUIT CORP.

DUE TO PHYSICAL CONSTRAINTS POSED BY FRONT-TO-BACK FRAME BEAMS ON THE LEGACY NET-ACCESS CABINET, THERE ARE CERTAIN AREAS OF THE CABINET THAT THE DEVICE CANNOT BE MOUNTED WHEN USED IN CONJUNCTION WITH THIS INLET DUCT.



FOR NET-ACCESS LEGACY CABINETS, FRONT EQUIPMENT RAILS NEED TO BE IN FULL FORWARD POSITION AND THE REAR EQUIPMENT RAILS NEED TO BE 24.25"-26.12" BACK.

NOTE: NUMBERS-UP RU NUMBERING (#1 AT BOTTOM) ASSUMED

FOR CURRENT N-TYPE CABINETS, 3 RACK UNITS NEED TO BE LEFT OPEN AT THE TOP OF THE CABINET.

TITLE		INLET DUCT FOR CISCO 6880 (DIRLC25S23W)		
		CUSTOMER DRAWING		
ITEM REVISION NAME		14V424AD/01		
DATASET FILE NAME		14V424AD_DC/01A		
		MATERIAL: N/A		
		DRAWING NUMBER: 14V424AD		
DRAWN BY MEX-JAGC		DATE 3/24/15	CHK BSN	SCALE N/A
REV		DATE	BY	CHK
DESCRIPTION		ECN	THIRD ANGLE PROJECTION	
SHT 3 OF 3		A		

01A	3/24/15	MEX-JAGC	BSN	BSN	RELEASED	V09000HI
REV	DATE	BY	CHK	APR	DESCRIPTION	ECN

D10100DA/16