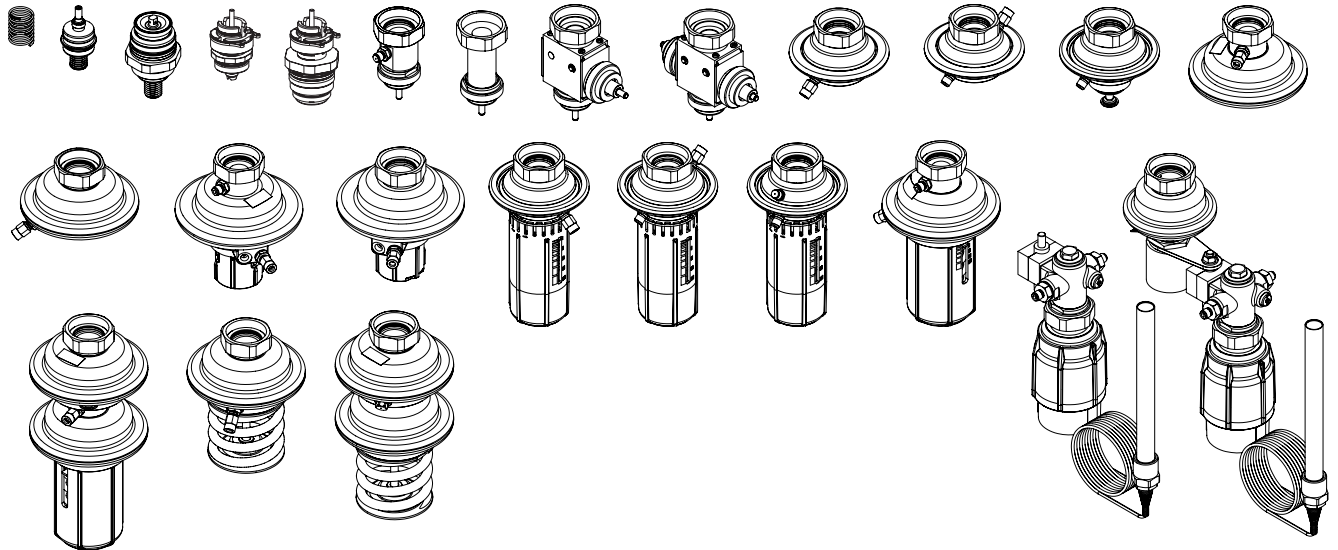


Installation Guide

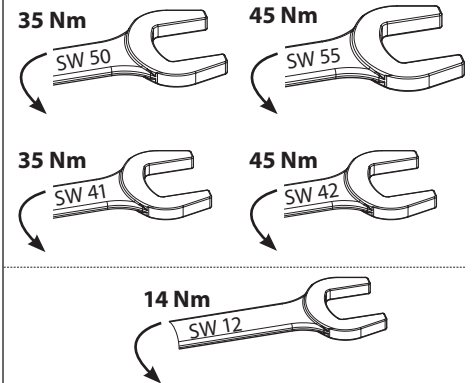
Service kits – Catalogue



A	PN	DN	Δp (bar)							Code No.
			0.05 ÷ 0.5 0.1 ÷ 0.5	0.2 ÷ 1.0	0.3 ÷ 2.0	0.8 ÷ 1.6	0.2	0.3	0.5	
16	15 ÷ 32	-	×		-	×	-	-	003H1330	
		-	-		-	-	×	-	003H1326	
		-	-		-	-	-	×	003H1331	
		-	-		×	-	-	-	003H1332	
25	15 ÷ 50		-	-		×		-	88835920	
	15 ÷ 25		-	-		-		×	88835930	
	32 ÷ 50		-	-		-		×	88835940	

B	PN	DN	Δp_b (bar)							Code No.
			0.1 ÷ 0.5	0.2 ÷ 1.0	0.3 ÷ 2.0	0.8 ÷ 1.6	0.2	0.3	0.5	
16	15 ÷ 32							×		003H1330
	15 ÷ 25							×		88835920
25	32 ÷ 50							-		-

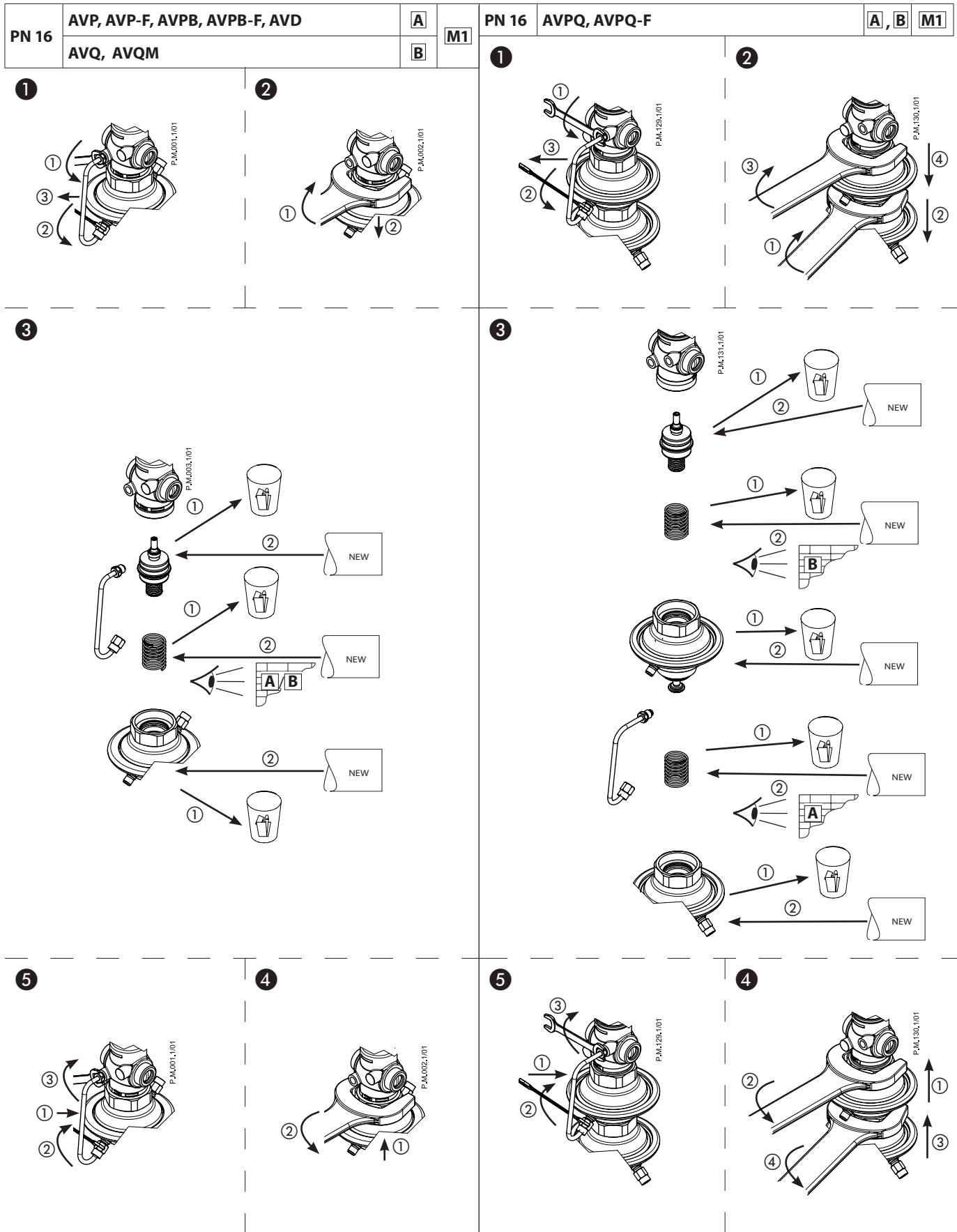
M1	CuSn5ZnPb (Rg5)
M2	EN-GJS-400-18-LT (GGG 40.3)



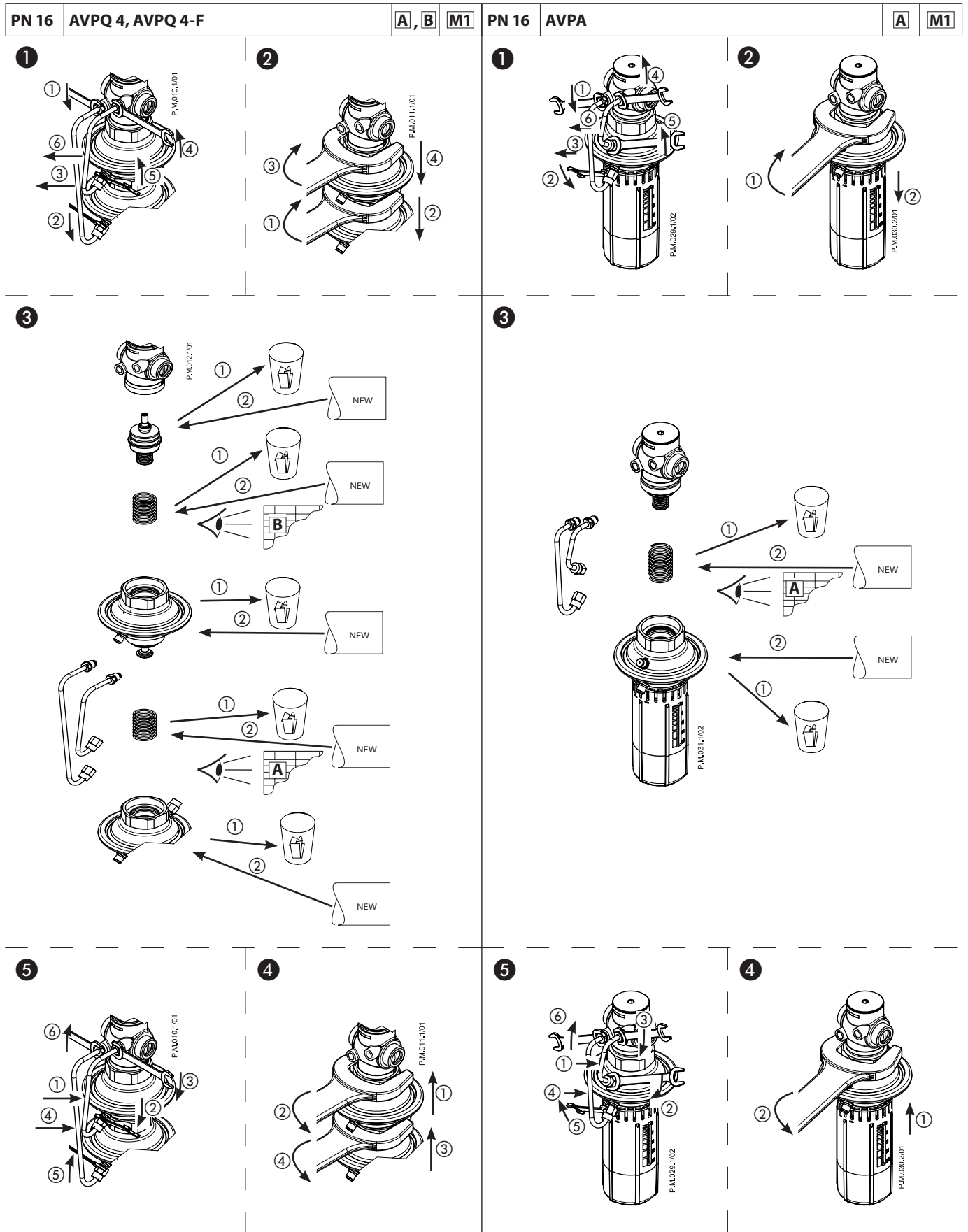
Page	PN		
2	16	AVP, AVP-F, AVPB, AVPB-F, AVD, AVQ, AVQM	M1
2	16	AVPQ, AVPQ-F	M1
3	16	AVPQ 4, AVPQ 4-F	M1
3	16	AVPA	M1
4	25	AVP, AVP-F, AVPB, AVPB-F, AVPBT-F, AVD, AVQ, AVQT, AVQM, AVQMT	M1
			M2
5	25	AVPQ, AVPQ-F	M1
			M2
6	25	AVPQ 4, AVPQ 4-F	M1
			M2
7	25	AVPA	M1
			M2
8	25	AVA	M1
			M2
9	25	AVDS	M1

Page	PN		
10	25	SAVA	M1
			M2
11	25	SAVD	M1
			M2
12	25	AVPBT	M1
13	25	AVPBT	M2
15	25	AVPQT	M1
16	25	AVPQT	M2
18	25	VG	M1
18	25	VG, VGF	M2
18	25	VGS	M1
19	16	Control valve insert	M1
20	25	Control valve insert	M1
21			M2
22	25	STL	M1, M2

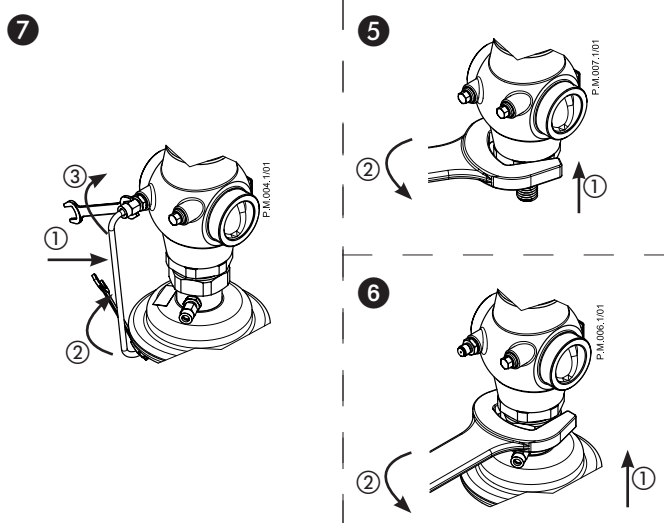
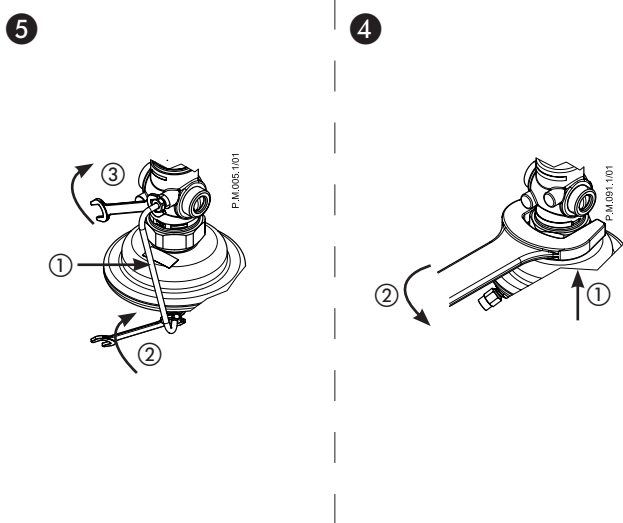
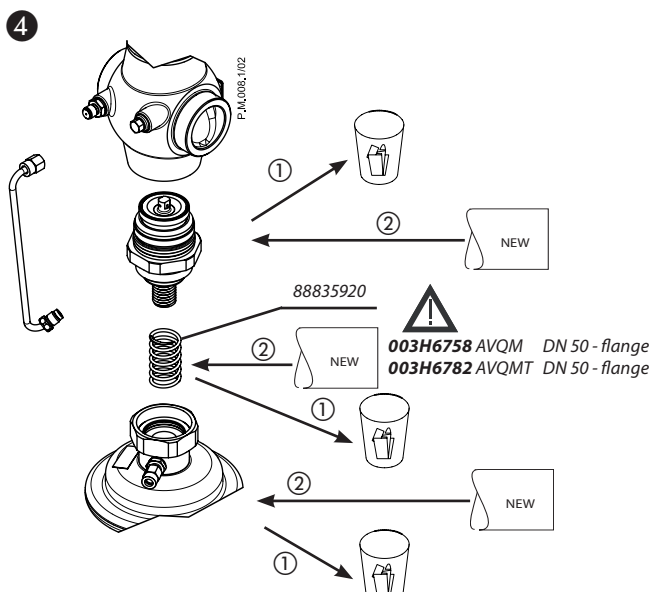
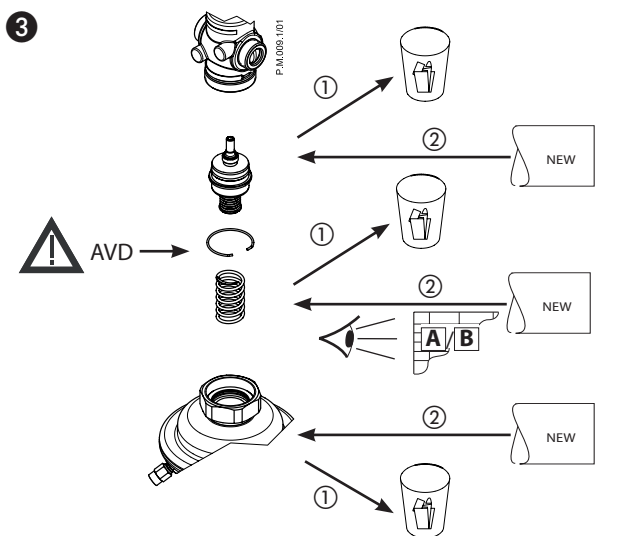
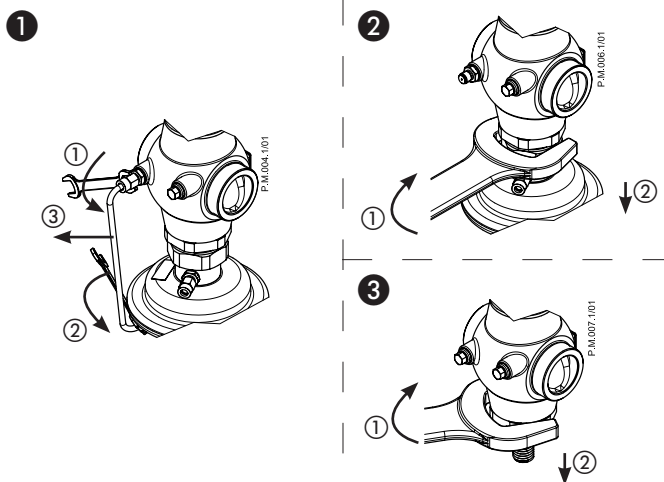
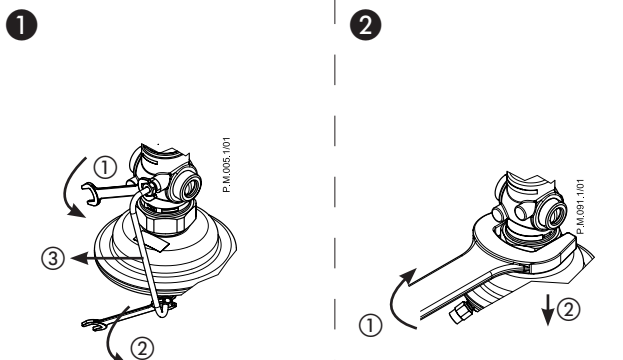
Service kits – Catalogue



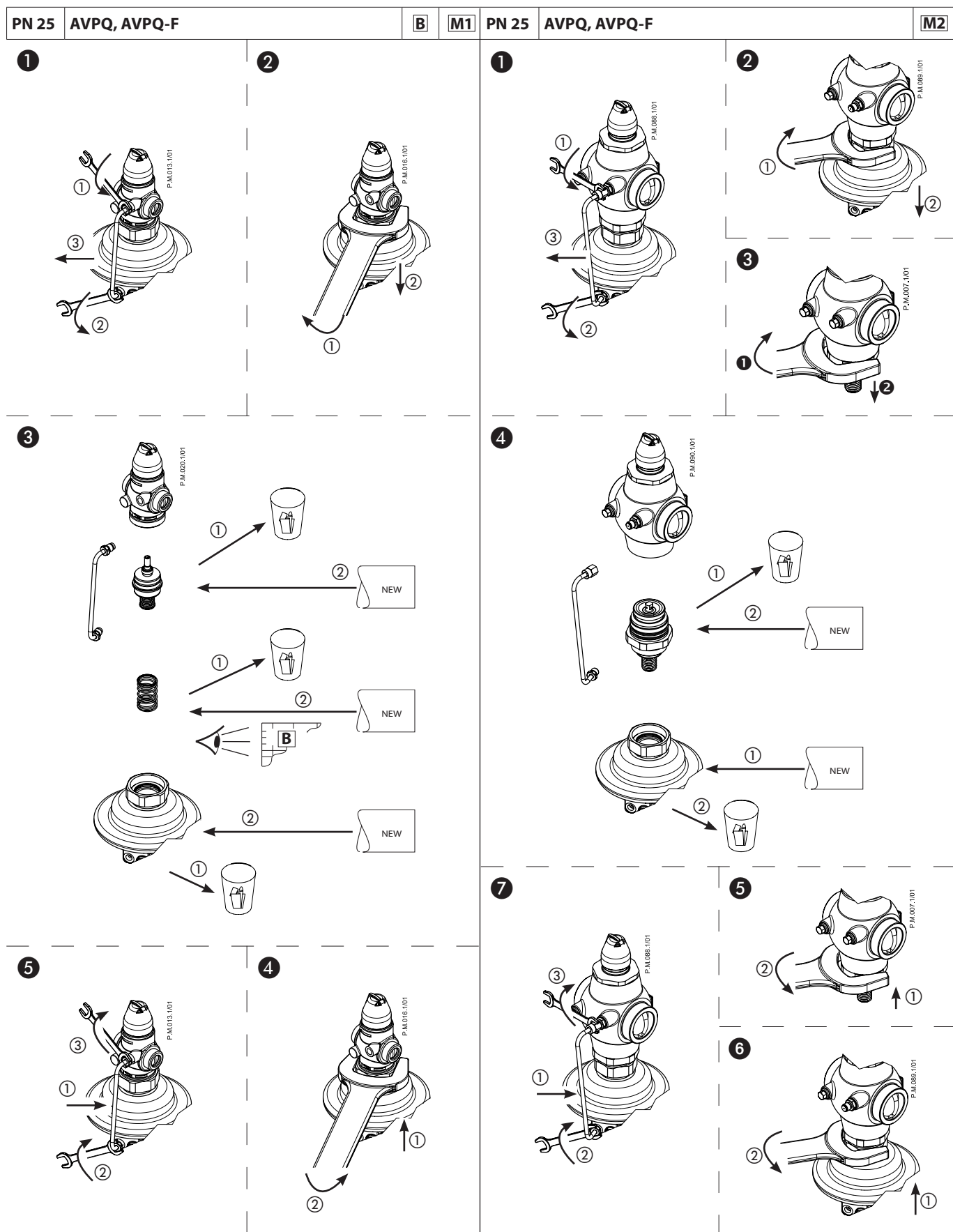
Service kits – Catalogue

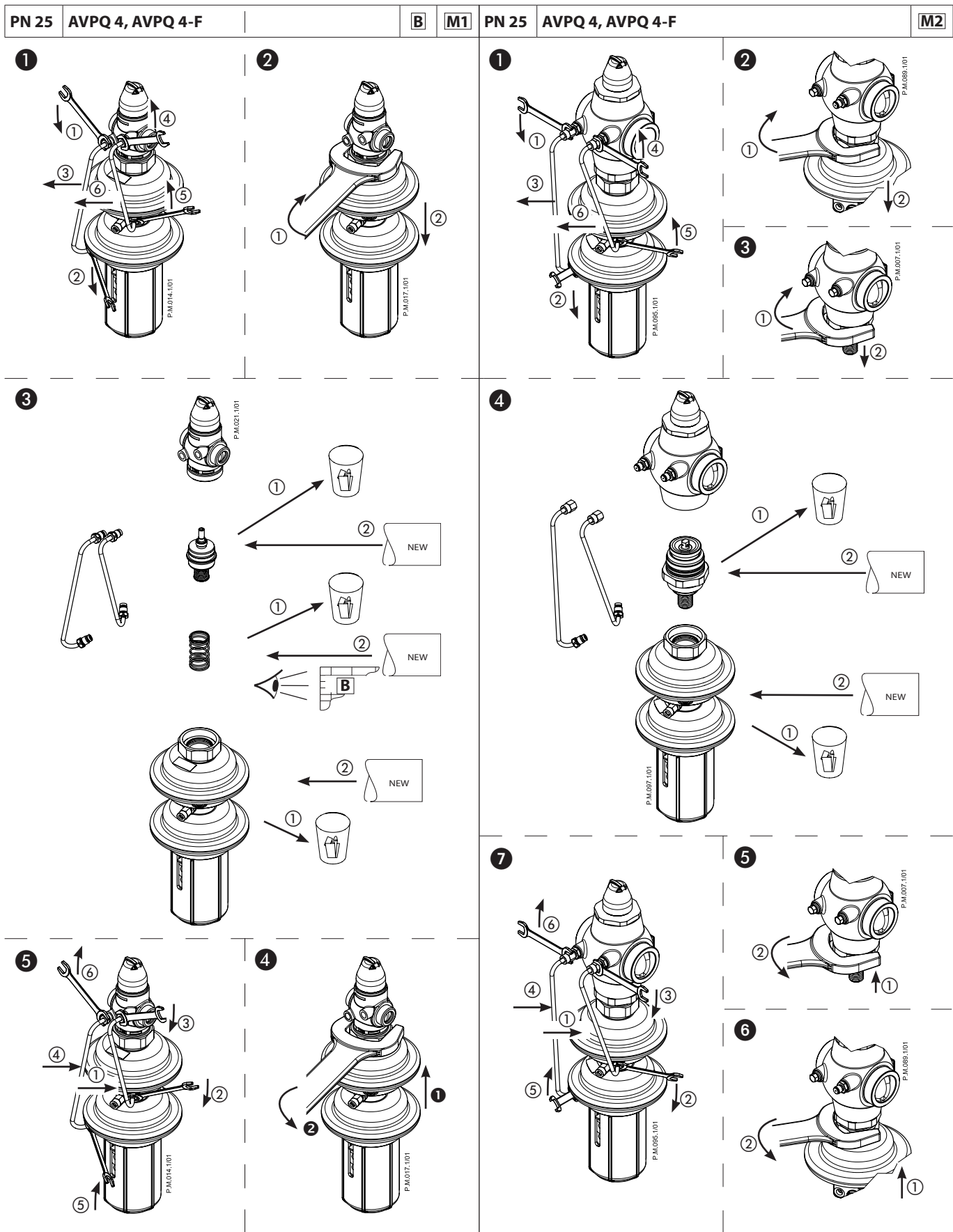


PN 25	AVP, AVP-F, AVPB, AVPB-F, AVPBT-F, AVD	A	M1	PN 25	AVP, AVP-F, AVPB, AVPB-F, AVPBT-F, AVD	M2
	AVQ, AVQT, AVQM, AVQMT	B			AVQ, AVQT, AVQM, AVQMT	

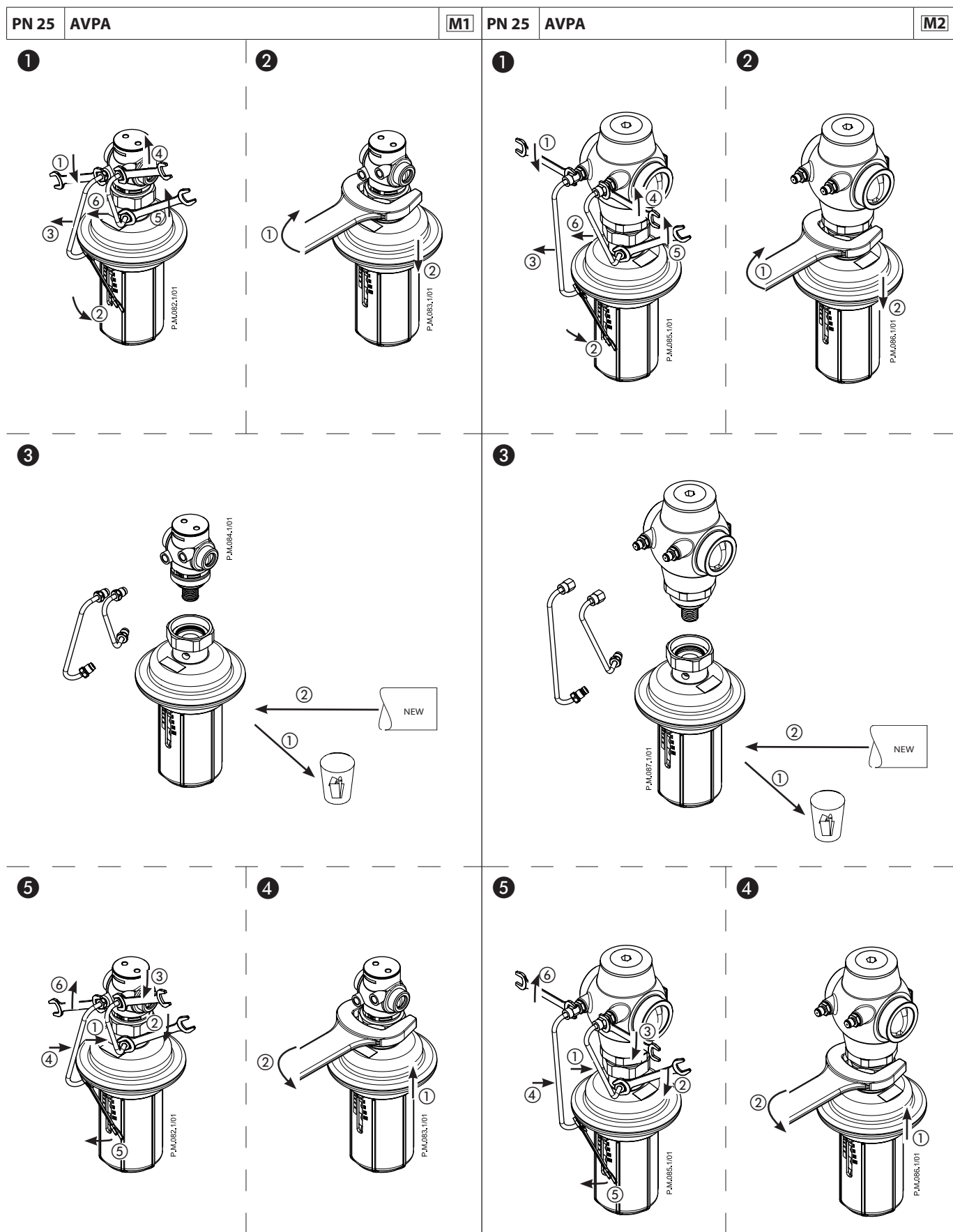


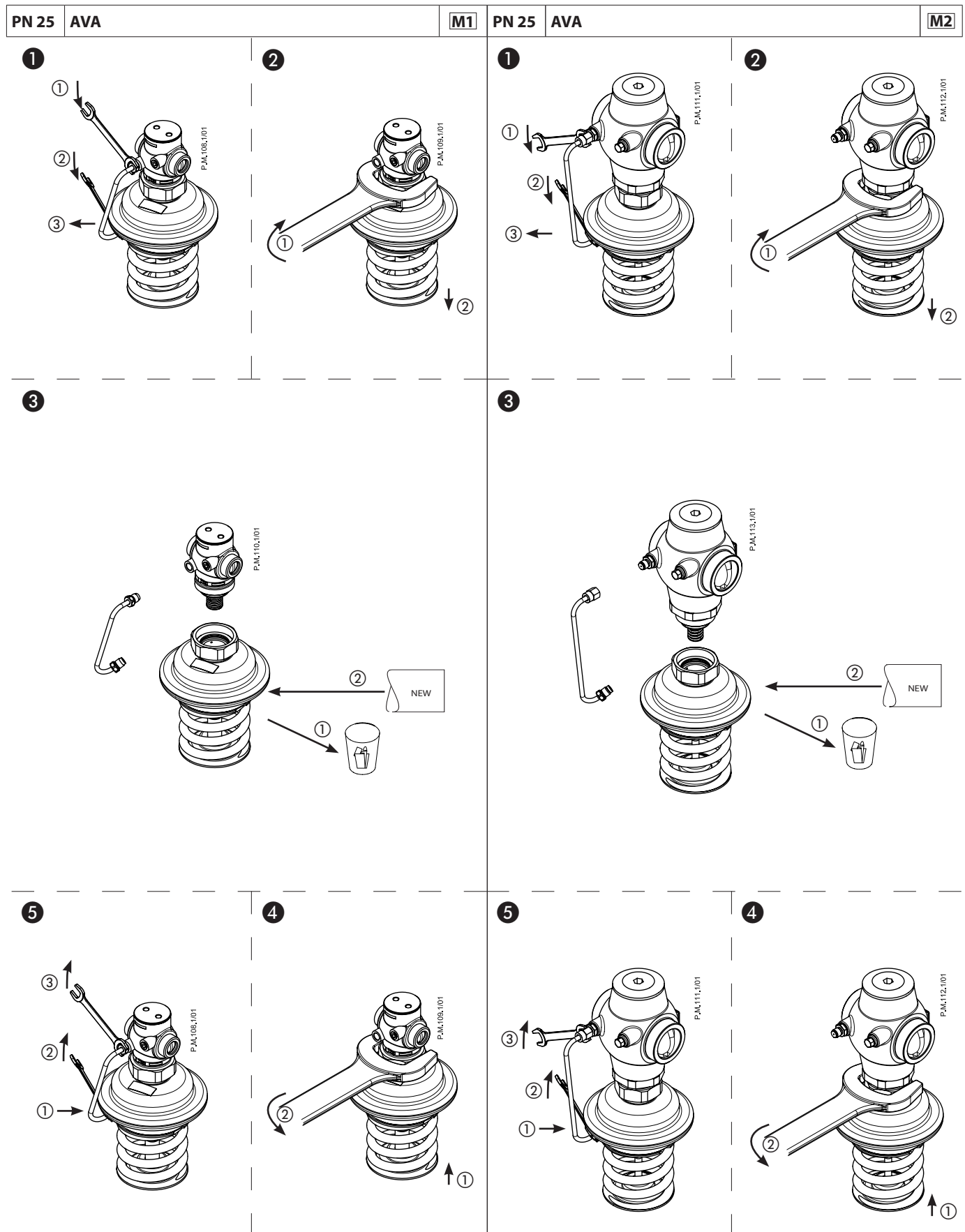
Service kits – Catalogue





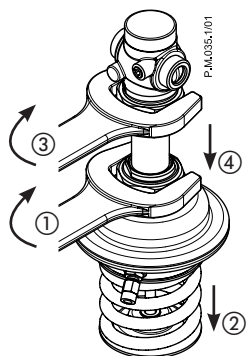
Service kits – Catalogue



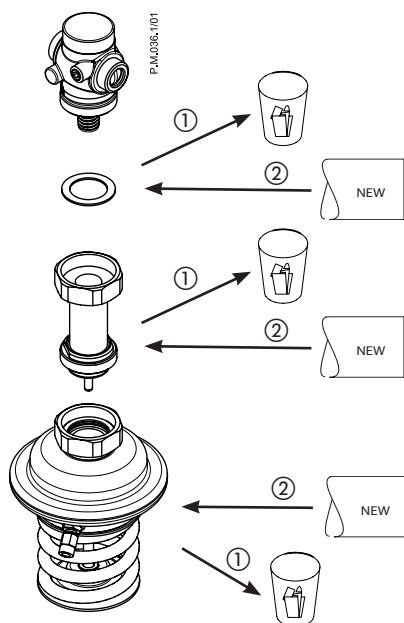


PN 25 AVDS M1

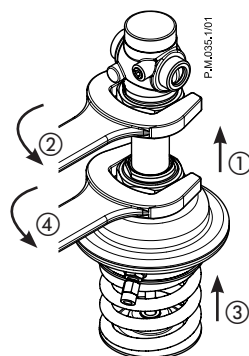
1

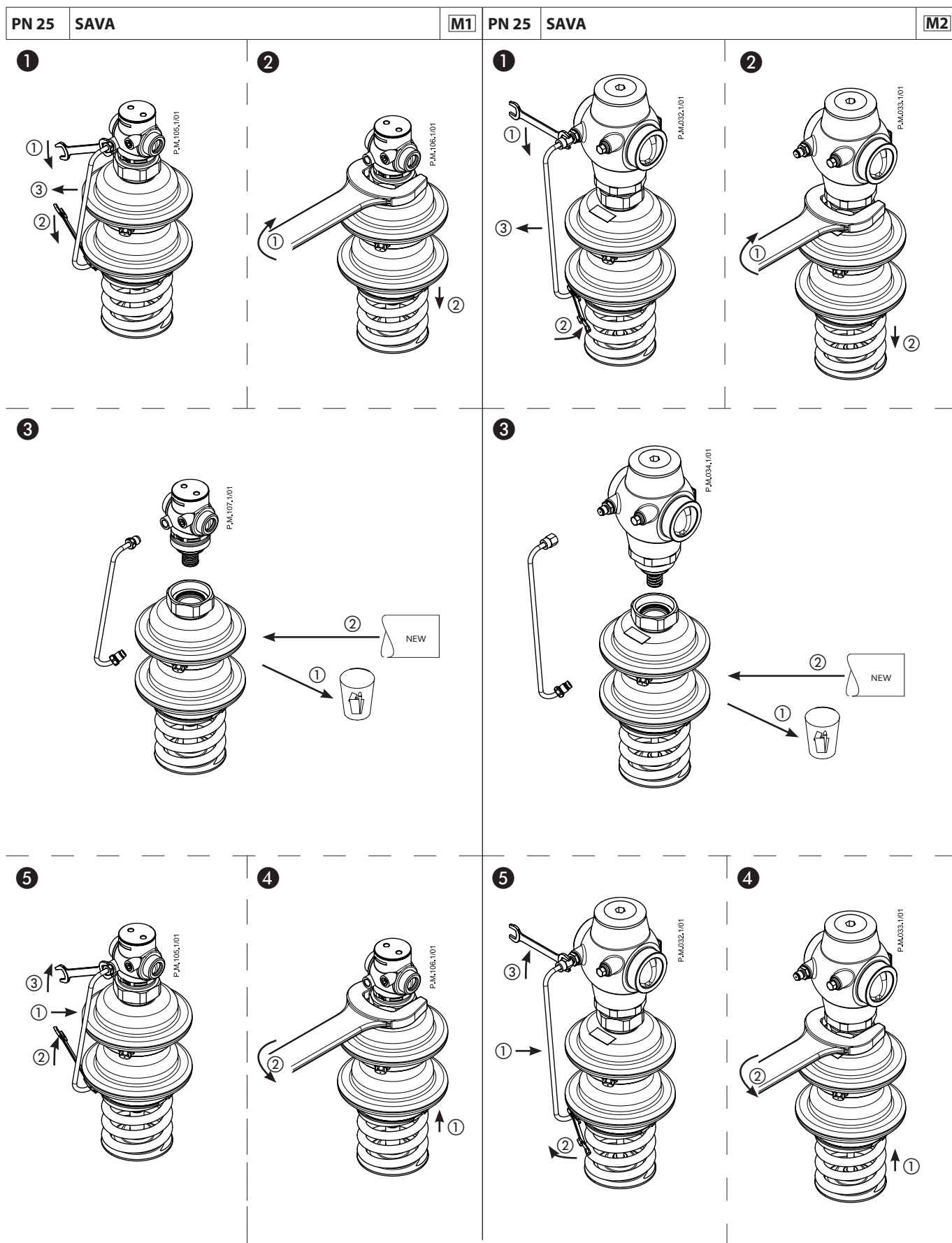


2

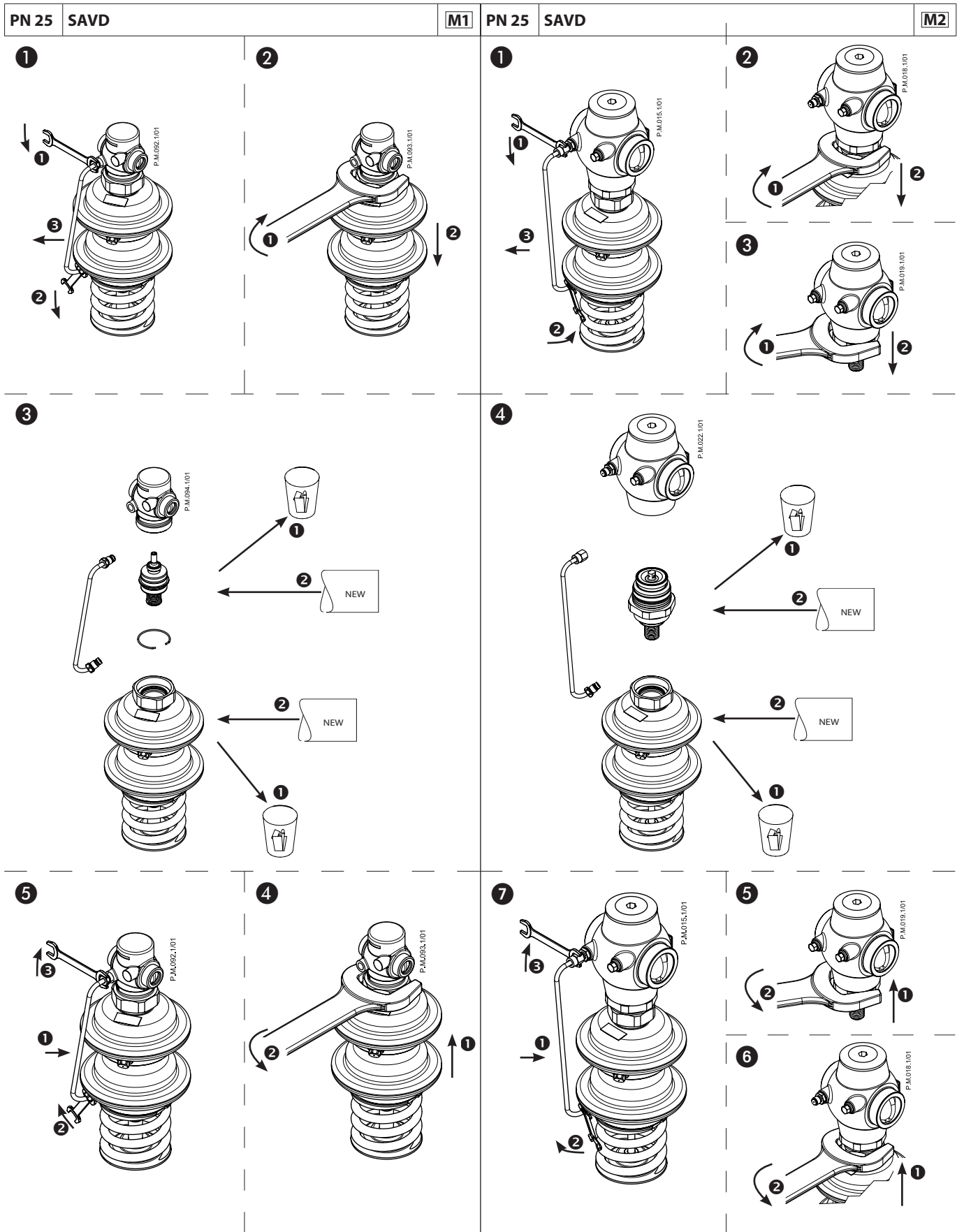


3





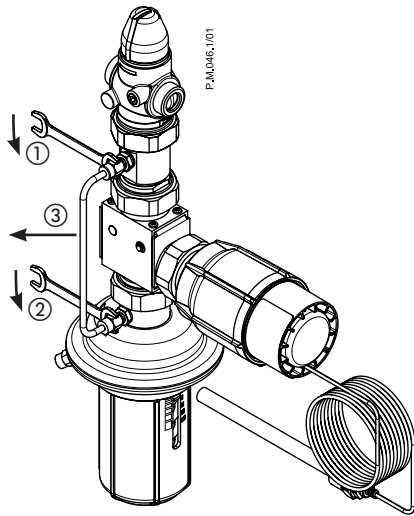
Service kits – Catalogue



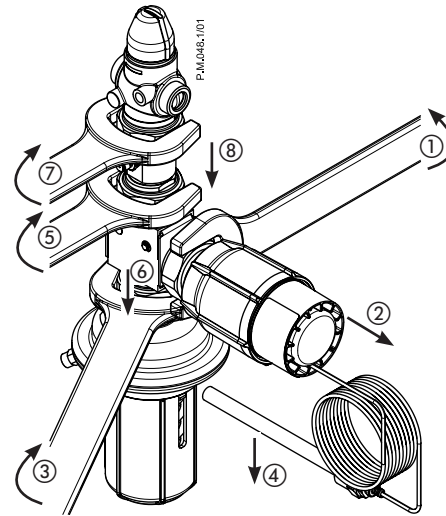
PN 25 AVPBT

M1

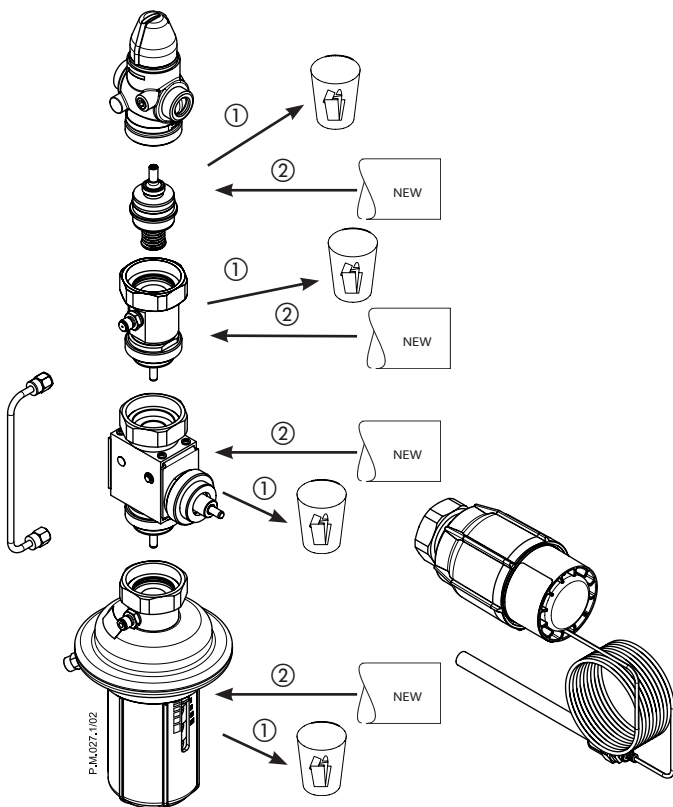
1



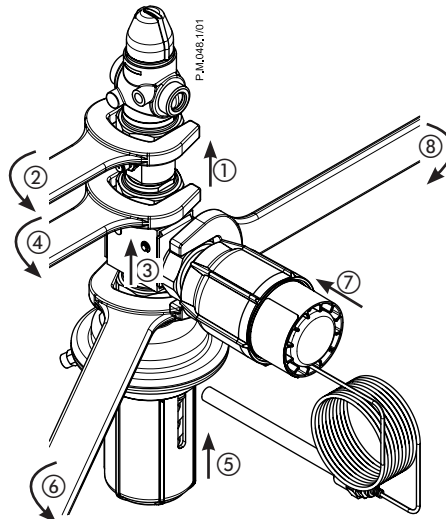
2



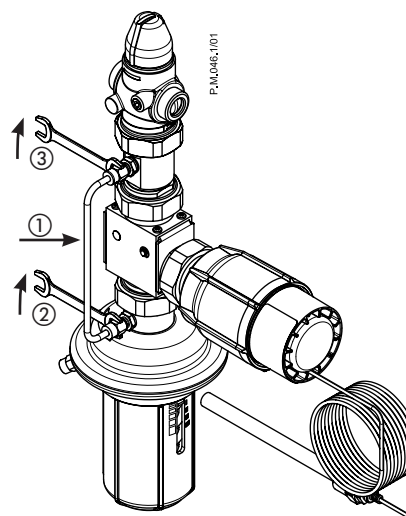
3



4

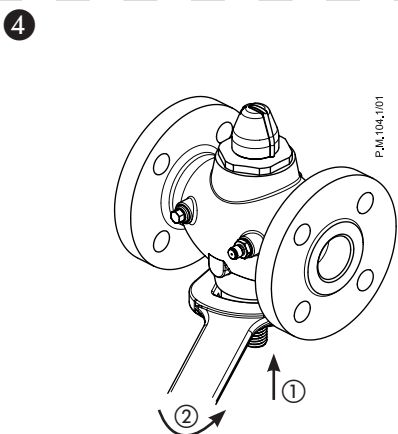
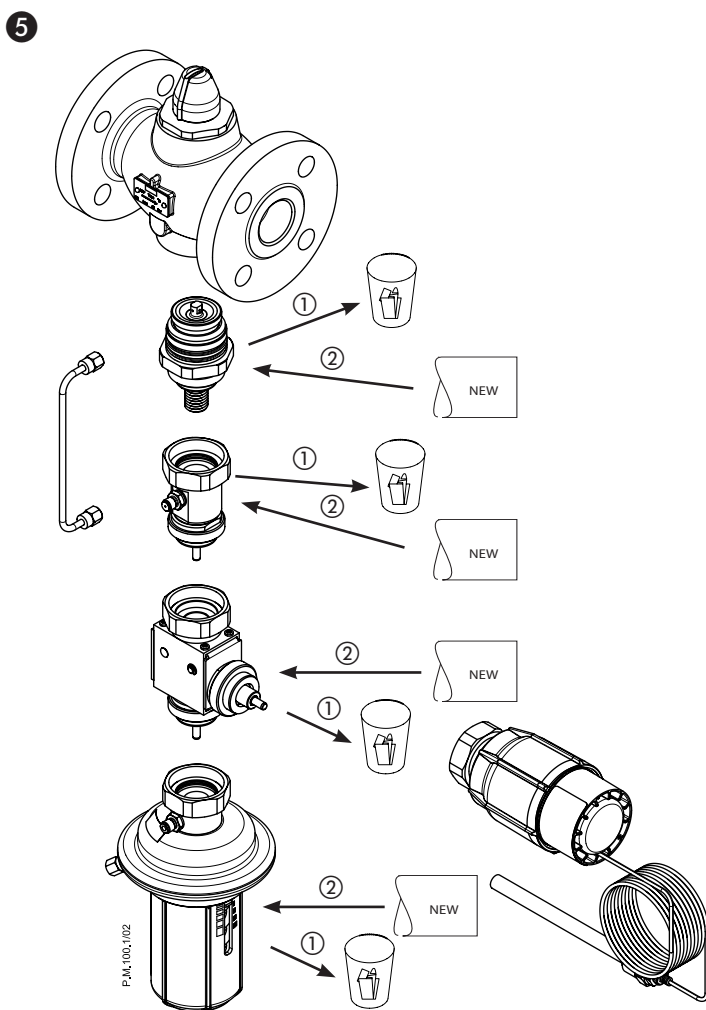
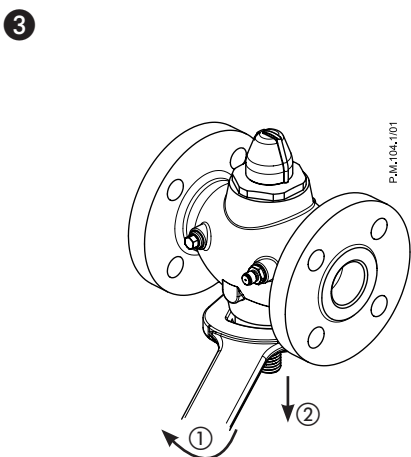
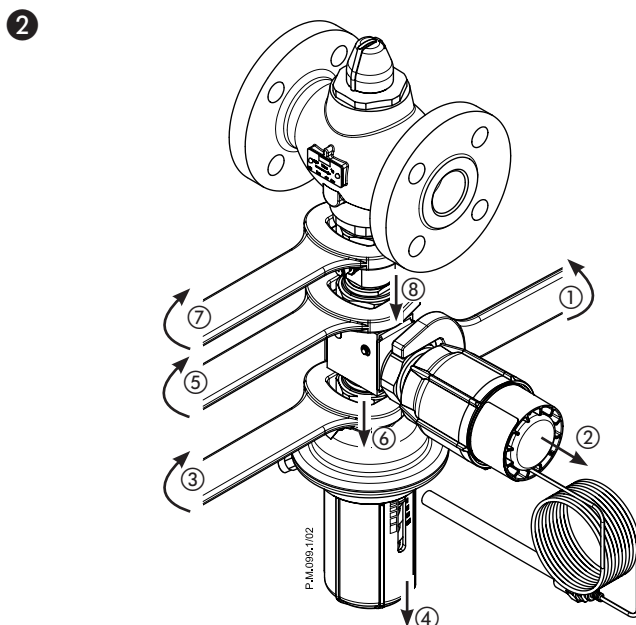
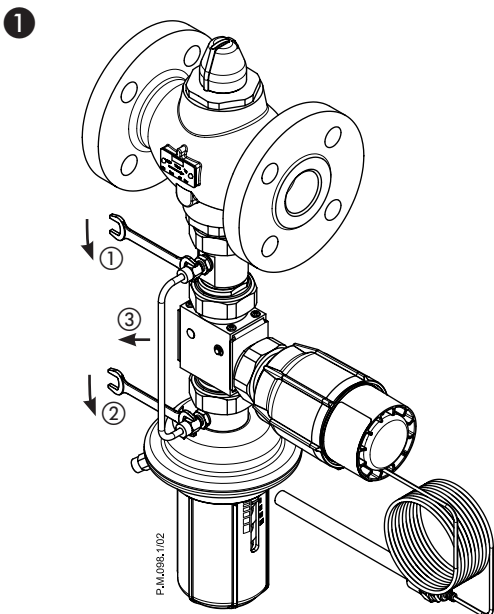


5



PN 25 AVPBT

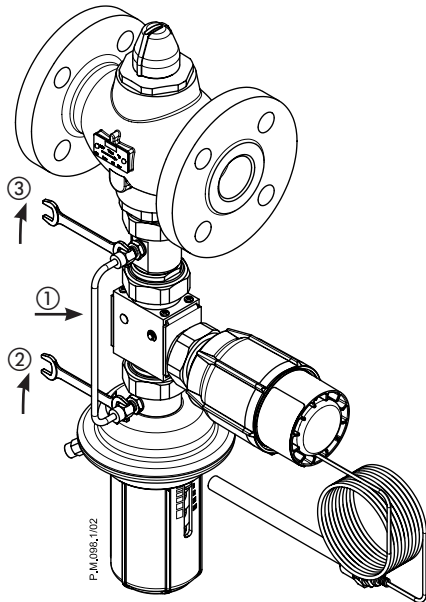
M2



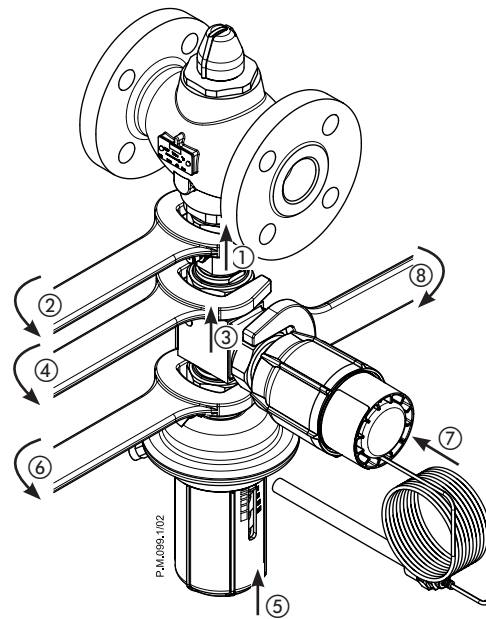
PN 25 AVPBT

M2

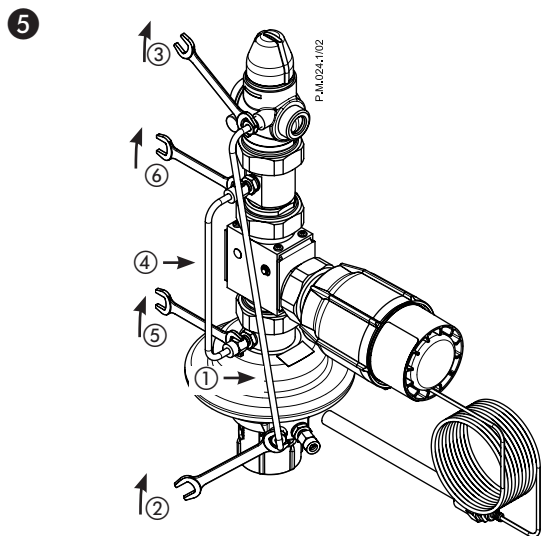
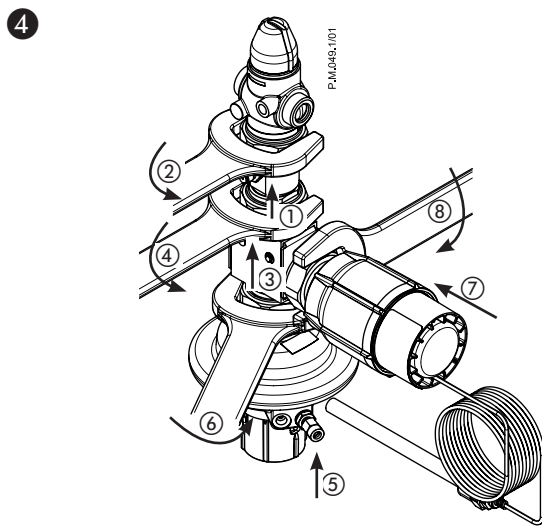
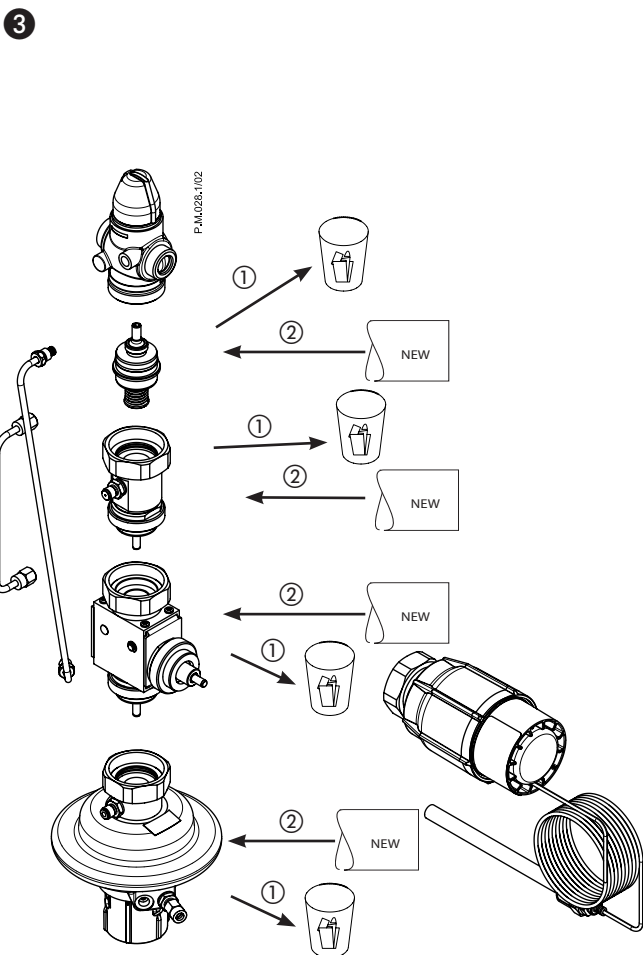
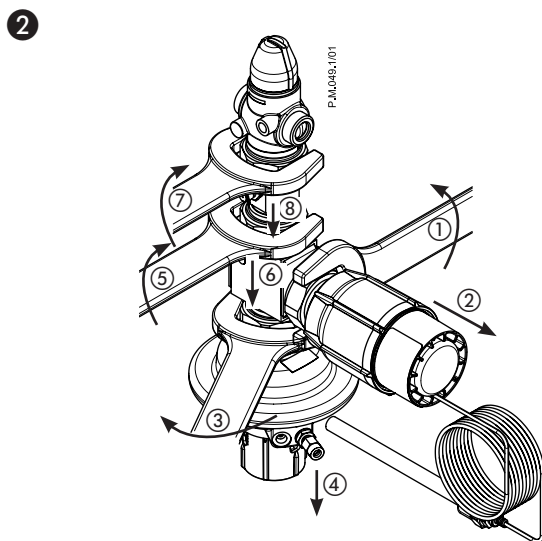
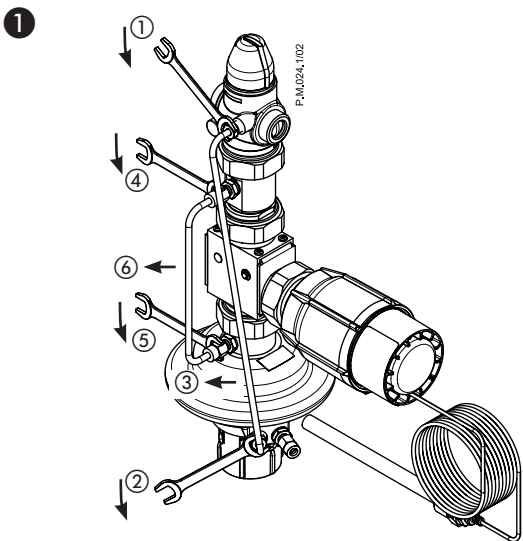
7



6

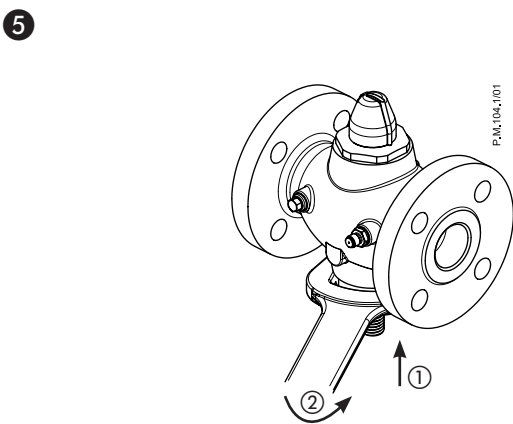
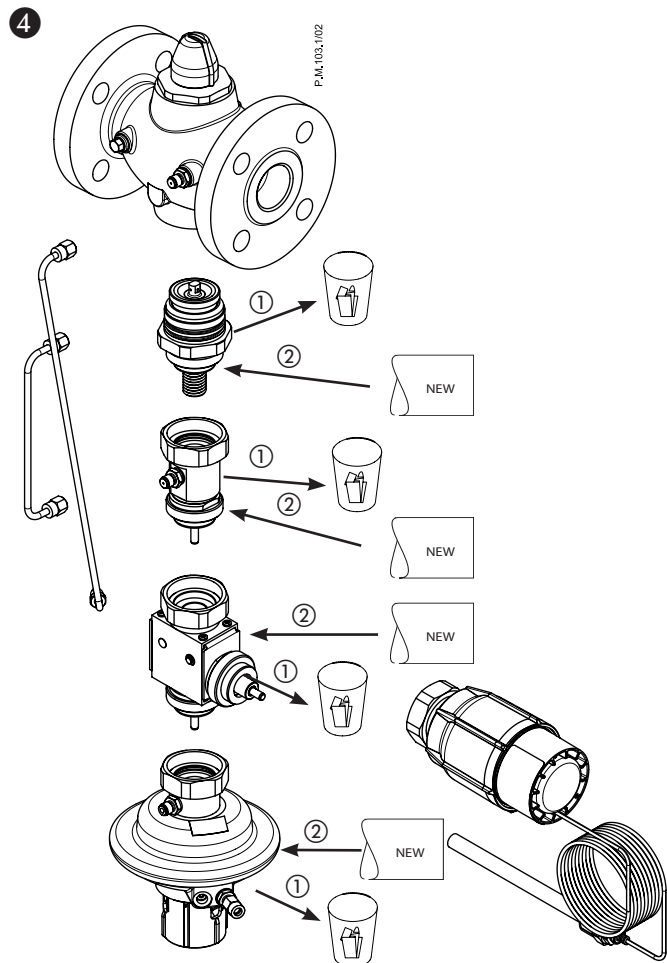
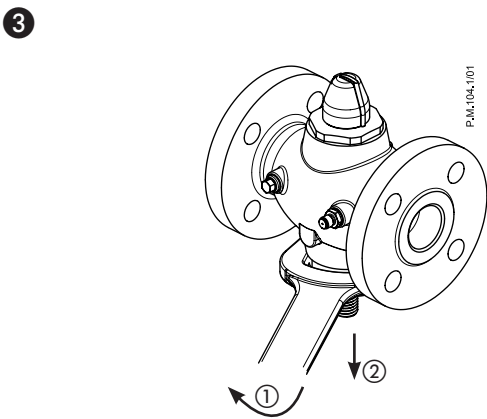
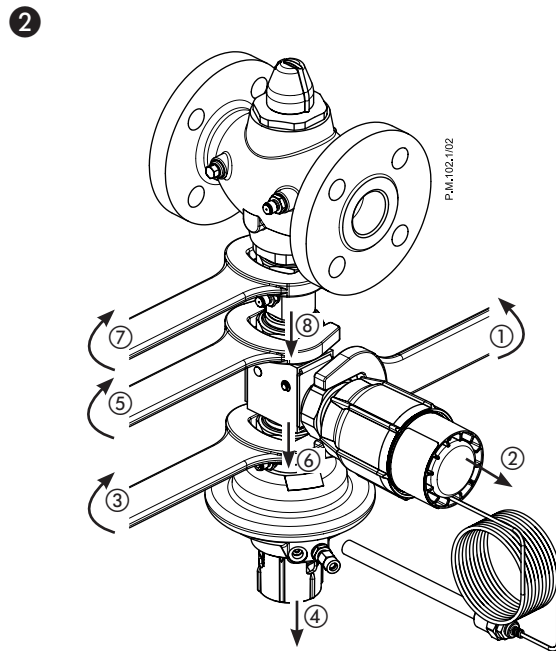
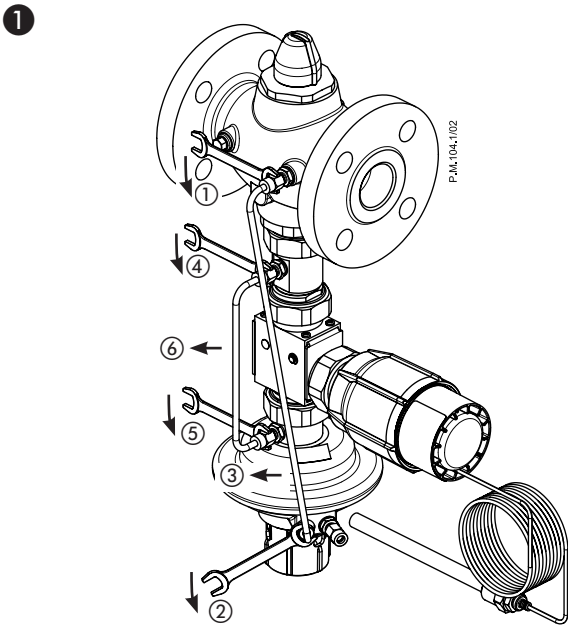


PN 25	AVPQT	M1
-------	-------	----



PN 25 AVPQT

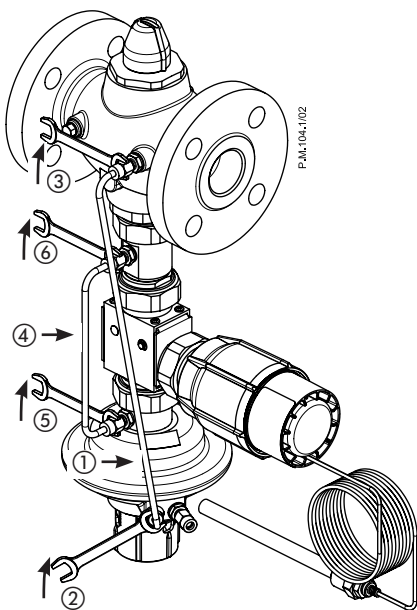
M2



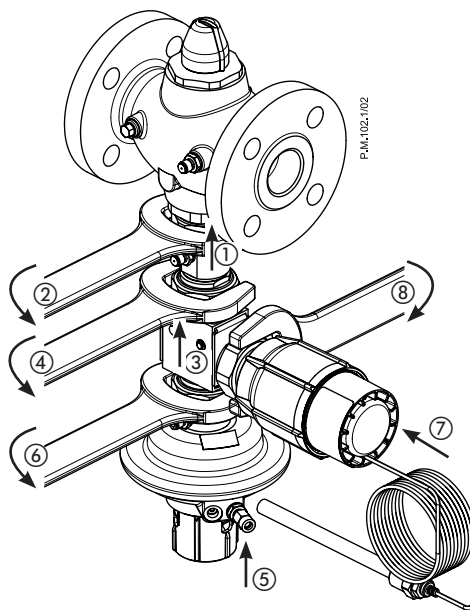
PN 25 AVPQT

M2

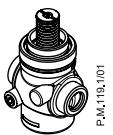
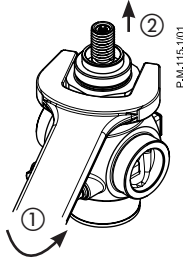
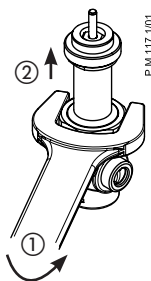
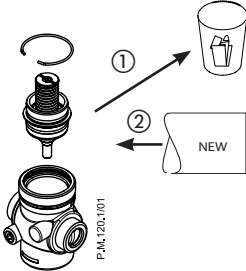
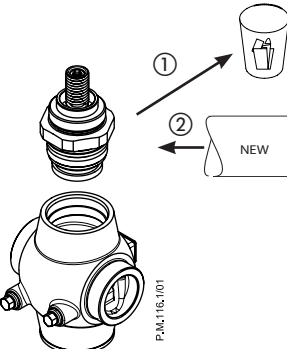
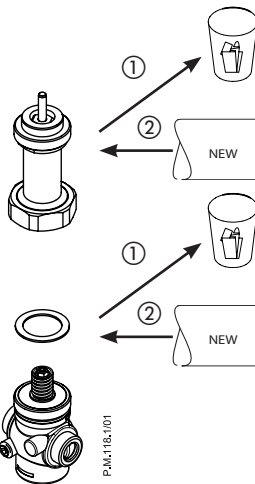

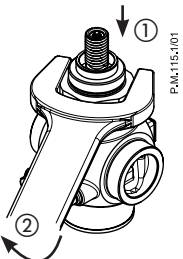
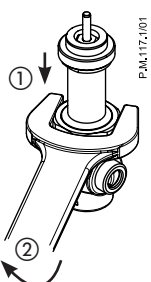
7





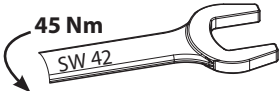
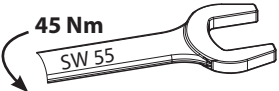
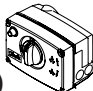

6

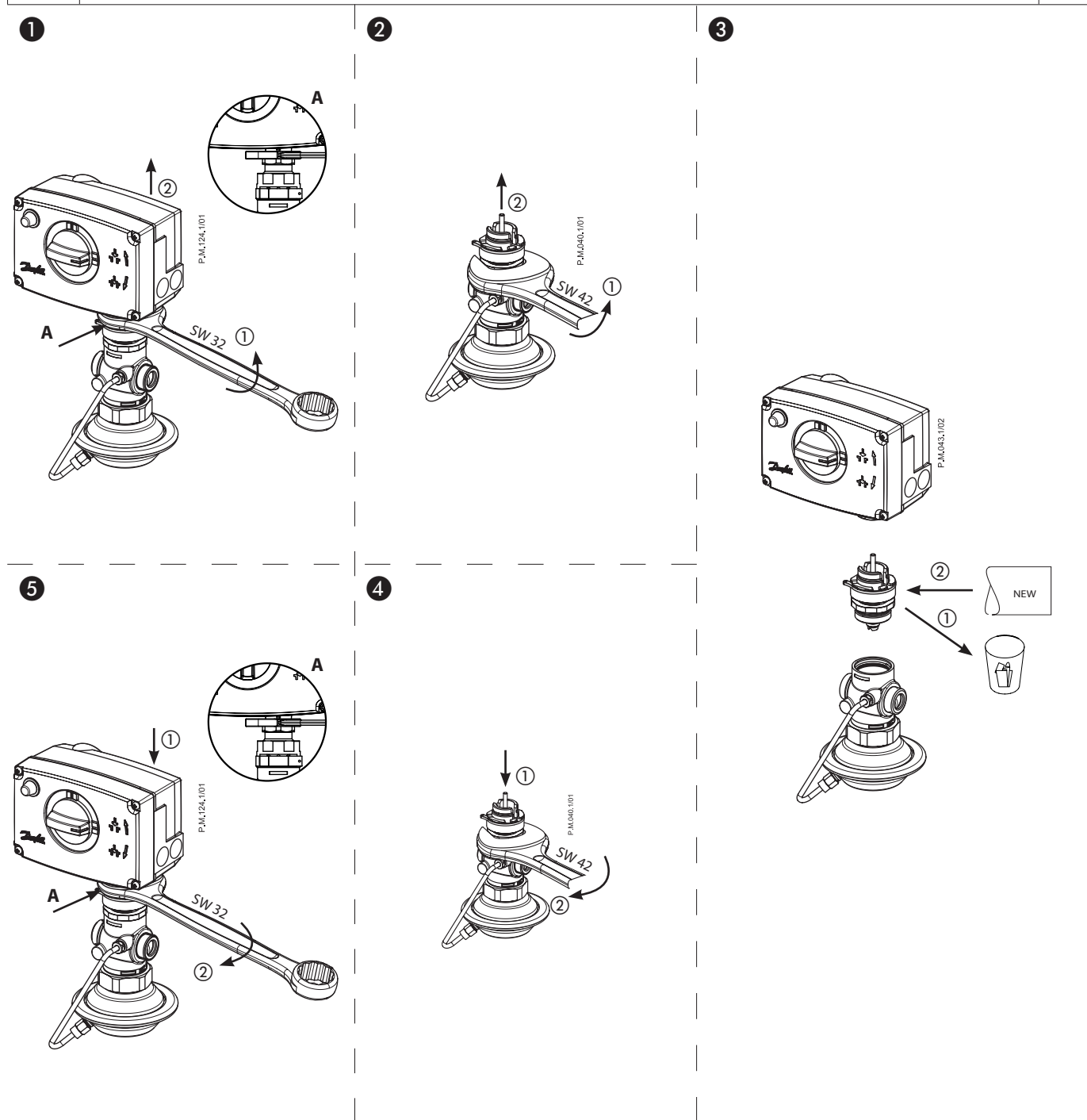


Service kits – Catalogue

PN 16	VG	M1	PN 25	VG, VGF	M2	PN 16	VGS	M1
<p>1</p> 			<p>1</p> 			<p>1</p> 		
<p>2</p> 			<p>2</p> 			<p>2</p> 		
<p>3</p> 			<p>3</p> 			<p>3</p> 		

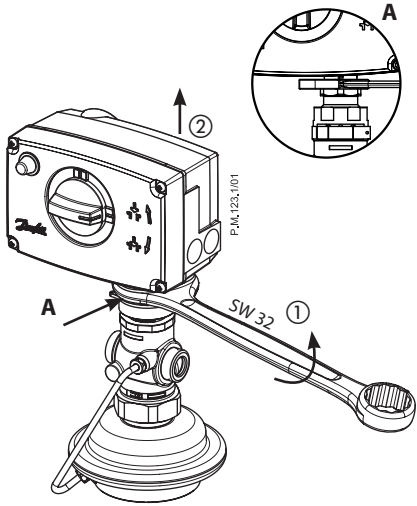
Service kits – Catalogue

PN 16 / PN 25	M1	PN 25	M2					
				<table border="1"> <tr> <td>M1</td> <td>CuSn5ZnPb (Rg5)</td> </tr> <tr> <td>M2</td> <td>EN-GJS-400-18-LT (GGG 40.3)</td> </tr> </table>	M1	CuSn5ZnPb (Rg5)	M2	EN-GJS-400-18-LT (GGG 40.3)
M1	CuSn5ZnPb (Rg5)							
M2	EN-GJS-400-18-LT (GGG 40.3)							
				  AMV(E) 25 Nm				
PN 16				M1				

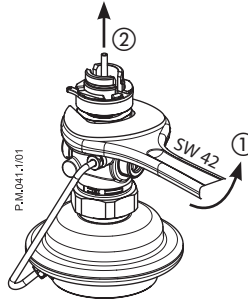


PN 25 M1

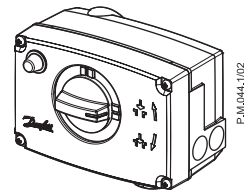
1



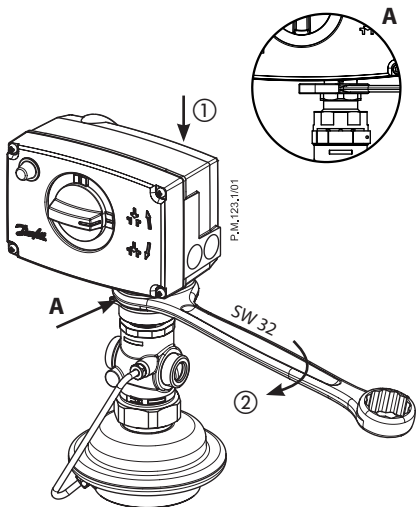
2



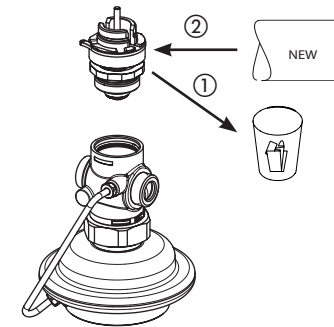
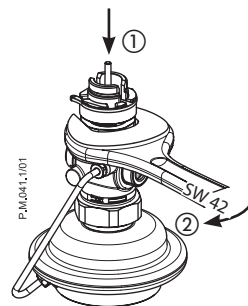
3



5

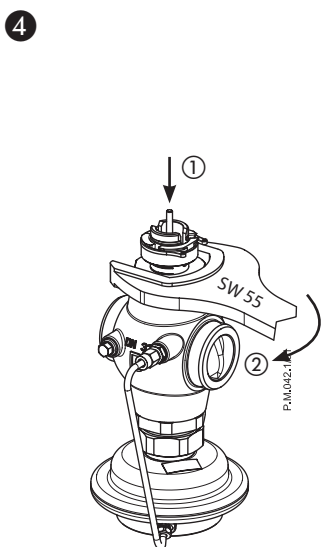
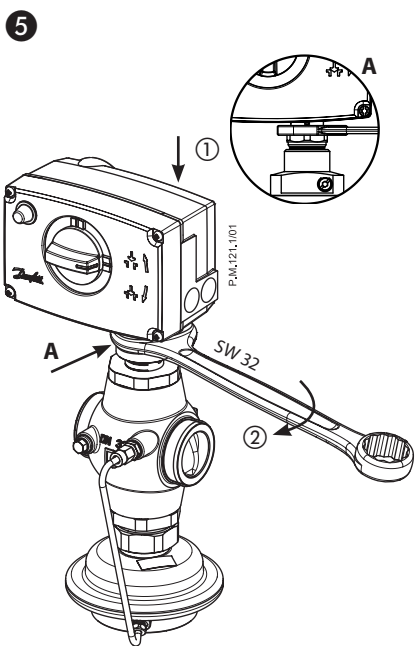
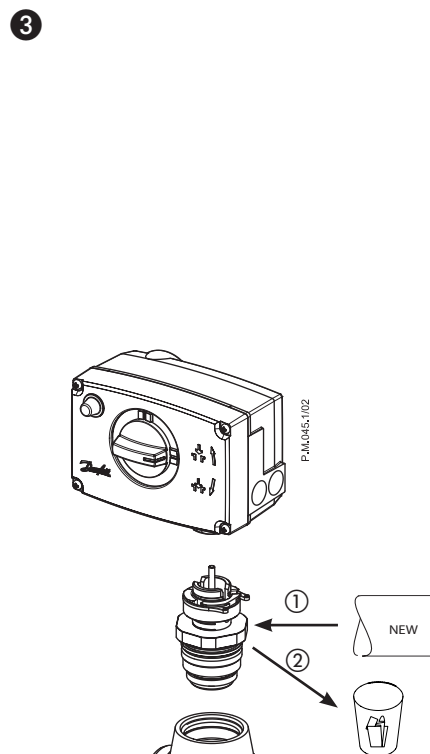
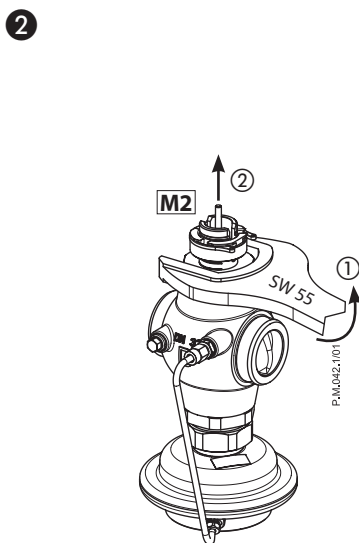
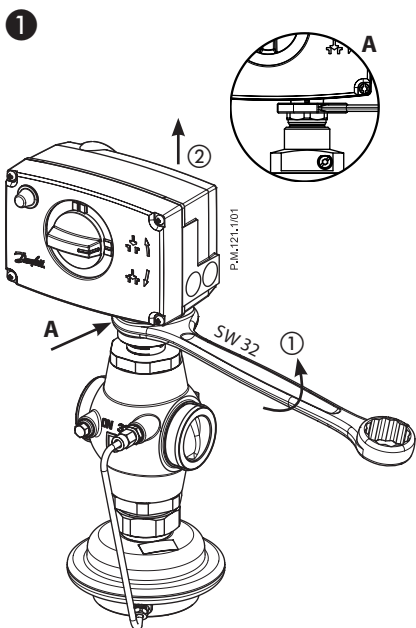


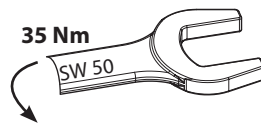
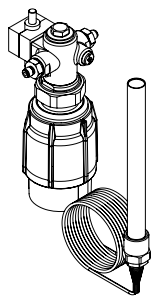
4



PN 25

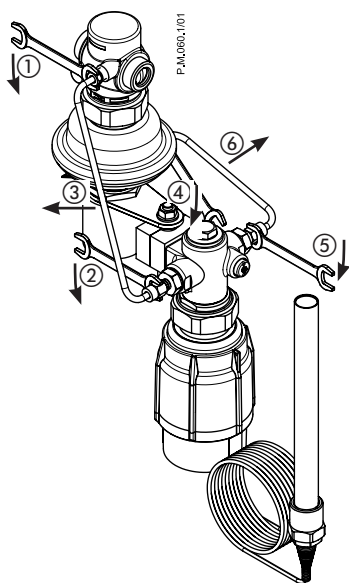
M2



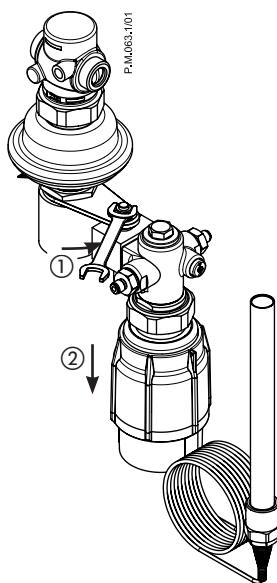


PN 25 STL M1, M2

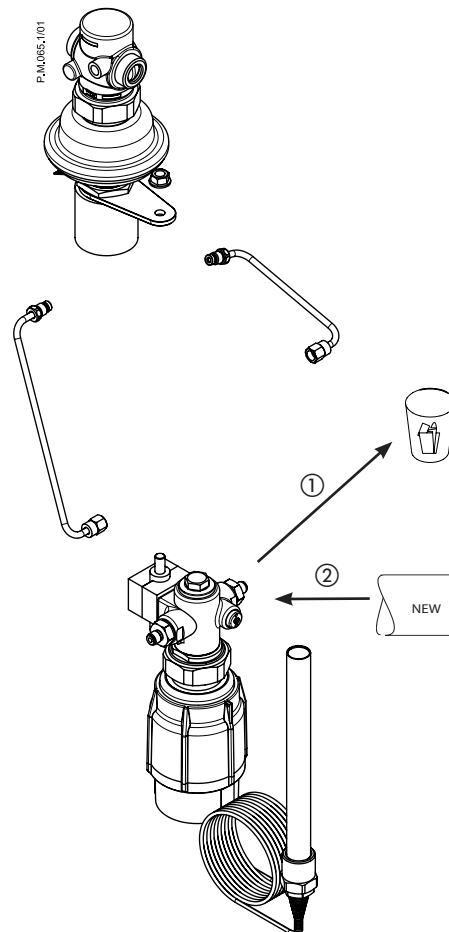
1



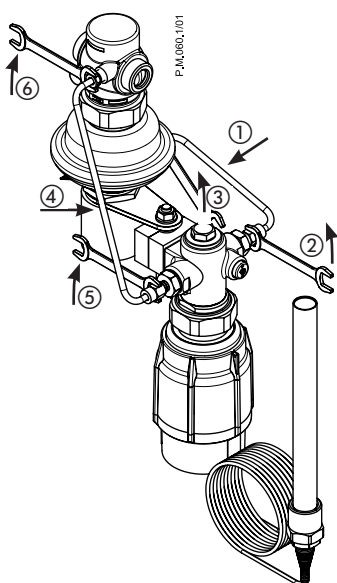
2



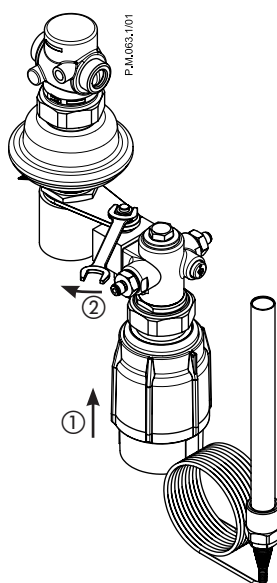
3

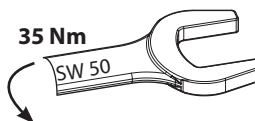
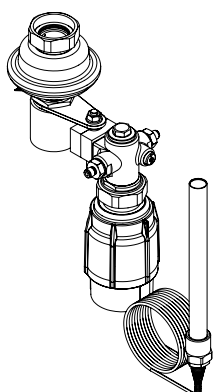


5



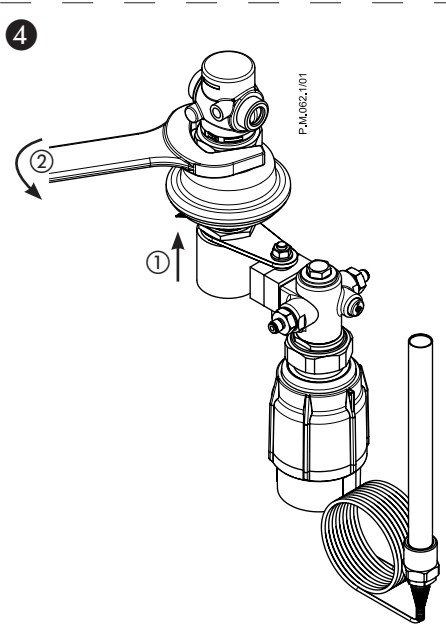
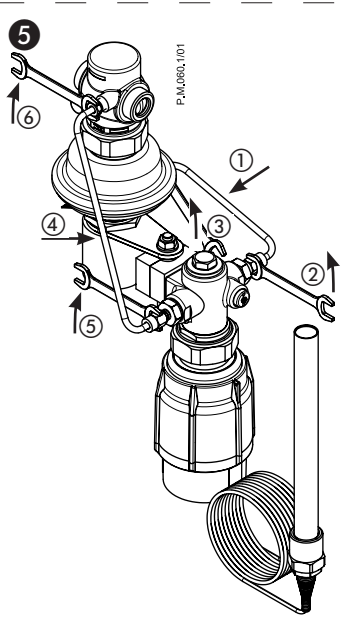
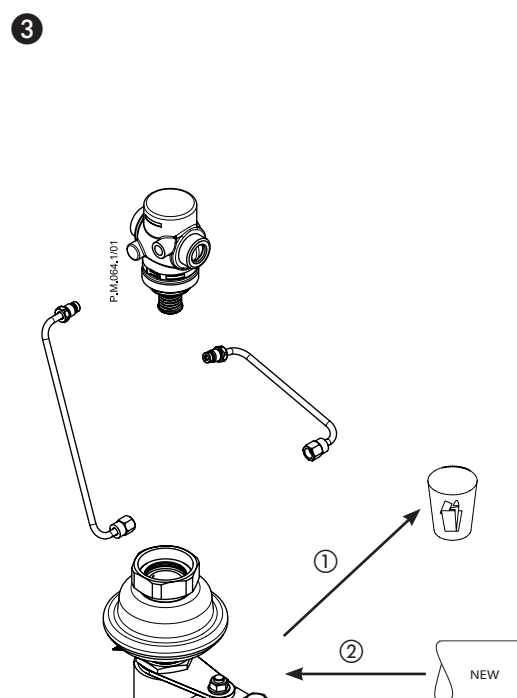
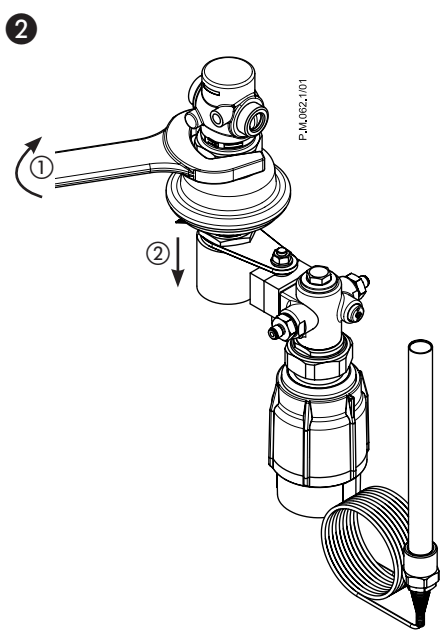
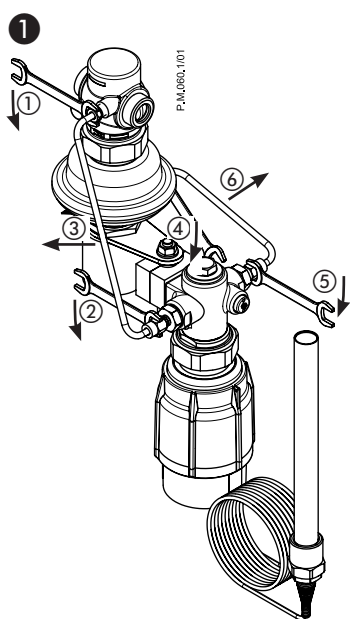
4





PN 25 STL

M1, M2





Service kits – Catalogue
