

Part number

SIP 3265 SM



Wall-mounting plug, PLUSO series, 3 poles + N + PE, 6 h (red), 32 A, 200/346 ÷ 240/415 V, with phase inverter

Product description

Product type	Plug Wall-mounting
Series	SIP...SM, PLUSO
Connection type	Screw terminal connection
N. of poles	3 poles + N +
Clock position	6
Specification	With phase inverter

Technical data

Current	32 A
Voltage	200/346 ÷ 240/415 V
IP degree of protection	IP44

Further technical details

Weight	285,50 g
Operating temperature range (min, max)	-25°C ... +40°C

Material properties

Colour	RAL 7035 grey, RAL 3000 red
RoHs conformity	Compliant with exemption 6(c): copper alloy containing up to 4% lead by weight
China RoHs - EFUP	50
REACH SVHC substances	Yes Lead
SCIP number	Ca7de37f-add8-4b77-9861-279c94903ade

Approvals / Standards

Reference standard	EN 60309-1 and -2
---------------------------	-------------------

General ordering information

EAN13 code	8015747083935
-------------------	---------------

Packaging Information

Packaging length	330,00 mm
Packaging height	175,00 mm
Packaging width	295,00 mm
Packaging weight	3,20 kg
Packaging volume	17,04 dm ³
Packaging description	Carton box
Packaging quantity	10 Pcs
Packaging EAN code	8015747083942

Part number

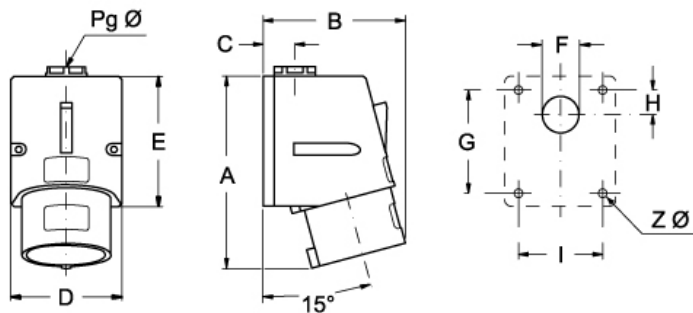
SIP 3265 SM



Catalogue drawings

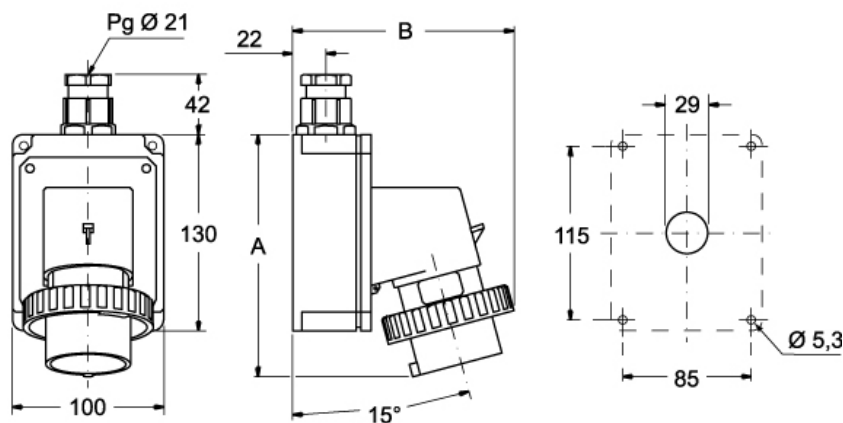
Catalogue drawings

SIP ... SM



	A	B	C	D	E	F	G	H	I	Z Ø	Pg Ø
16A	121	90	20	70	82	23	65	16	53	4,3	16
32A	147	95	24	86	104	29	79	17	61	6,3	21

SIPW ... SM



	A	B
16A	164	145
32A	178	160

Notes

Dimensions shown in mm are not binding and may be changed without notice.

- Compliant with EN 60309-1 and -2
- Enclosure and insert in insulating, thermoplastic and self-extinguishing material
- SIP... types (IP44), red enclosure (colour coded according to the

- operating voltage), entry with threaded grommet
- SIP...SV types (IP44), entry with cable gland colour coded according to the operating voltage, RAL 7035 grey colour enclosure
- SIPW... types (IP67), RAL 7035 grey enclosure, red bayonet ring (colour coded according to the operating voltage), entry with cable gland
- SIPW...SV types (IP66/IP67), entry with cable gland colour coded according to the operating voltage, RAL 7035 grey enclosure, locking ring and gasket, colour coded according to the operating

voltage, earth contact position different from h 6 on request

- Built-in phase inverter device, operated by means of a screwdriver
 - Terminals with retained screws
 - SIP/SIPW...SM/SI types: nickel-plated contacts on request
 - SIPW...SV HEAVY DUTY types: nickel-plated contacts on request
-