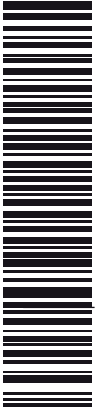
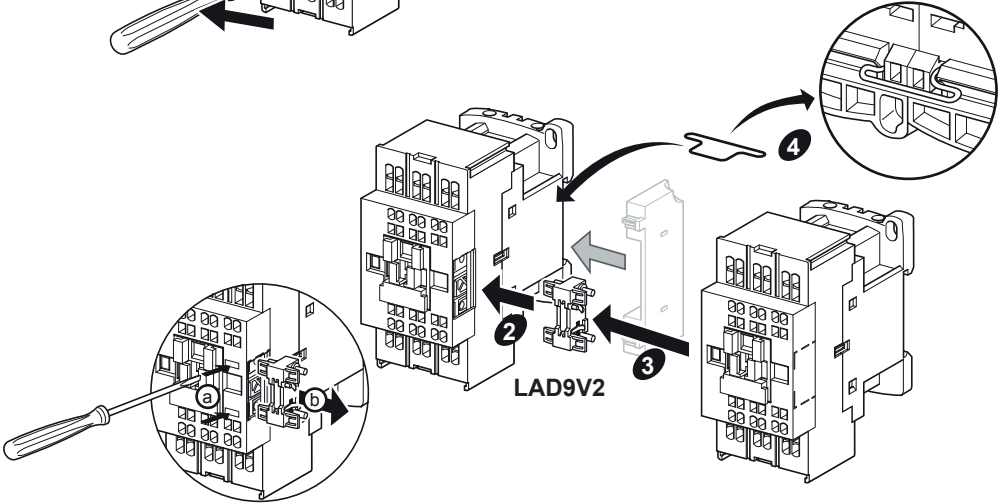
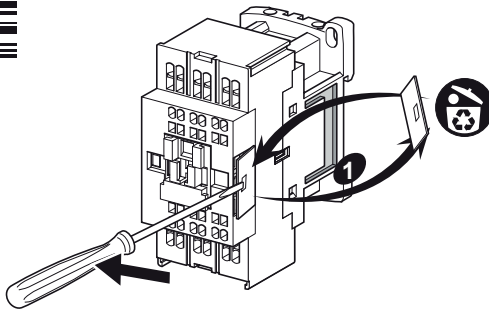
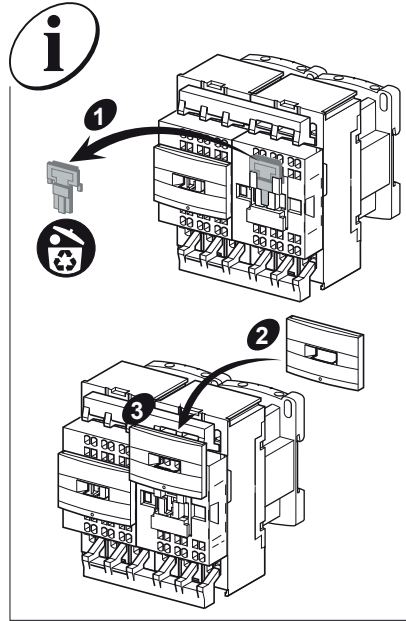


LAD9V10 / V11 / V12 / V13 (2 x LC1D●●3 / LC2D●●3)

www.schneider-electric.com



W916433930131



⚠ ⚠ DANGER

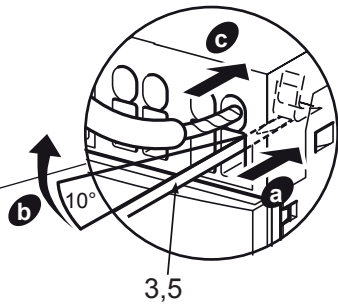
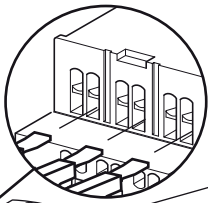
HAZARD OF ELECTRIC SHOCK, EXPLOSION, OR ARC FLASH

Disconnect all power before servicing equipment.

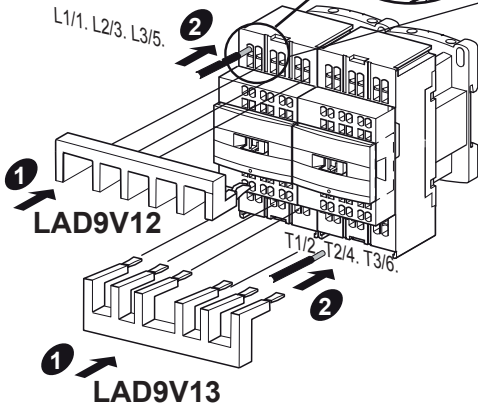
Failure to follow these instructions will result in death or serious injury.



<math><4\text{mm}^2</math>



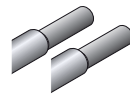
L1/1, L2/3, L3/5.



LAD9V12

LAD9V13

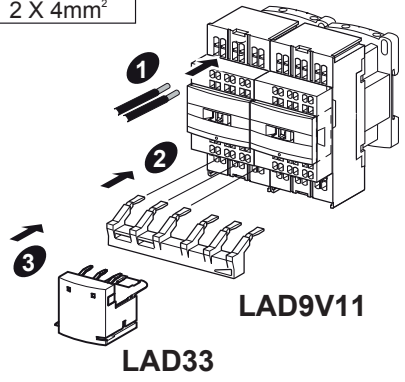
T1/2, T2/4, T3/6.



2 X 4mm²

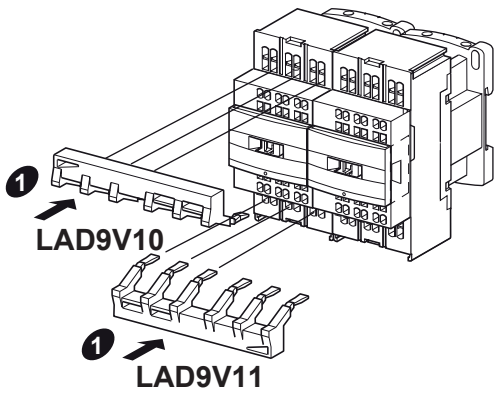


LC2D323



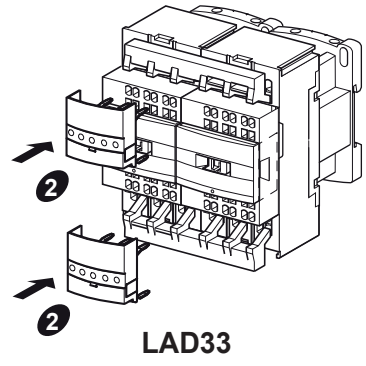
LAD9V11

LAD33



LAD9V10

LAD9V11



LAD33

