

Part number

# C30MA 70 P



Male crimp contact, C30 series, 300 A, turned silver plated, wire cross section 70 mm<sup>2</sup>, AWG 2/0, finger-proof version

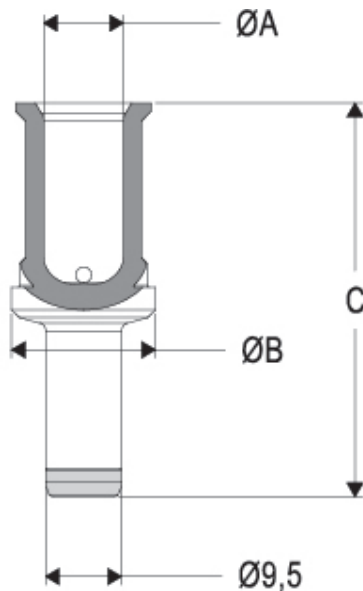
| Product description                |                       | Material properties              |  |
|------------------------------------|-----------------------|----------------------------------|--|
| <b>Product type</b>                | Crimp contact         | <b>Main material</b>             | Copper alloy   |
| <b>Series</b>                      | C30                   | <b>Other materials</b>           | Cap: polycarbonate (PC)  |
| <b>Gender</b>                      | Male                  |                                  | Compliant with exemption 6(c): copper alloy containing up to 4% lead by weight |
| <b>Specification</b>               | Finger-proof version  | <b>RoHs conformity</b>           |  |
| Technical data                     |                       | <b>China RoHs - EFUP</b>         | 50   |
| <b>Current</b>                     | 300 A                 | <b>REACH SVHC substances</b>     | Yes<br>Lead  |
| <b>Wire cross-section</b>          | 70,00 mm <sup>2</sup> | General ordering information     |  |
| <b>Contact type</b>                | Turned silver plated  | <b>EAN13 code</b>                | 8015747290890  |
| Further technical details          |                       | Packaging Information            |  |
| <b>Contact resistance</b>          | ≤ 0,2 mΩ              | <b>Packaging length</b>          | 112,00 mm  |
| <b>Weight</b>                      | 39,20 g               | <b>Packaging height</b>          | 95,00 mm   |
| <b>Conductors stripping length</b> | 22,5 mm               | <b>Packaging width</b>           | 117,00 mm  |
|                                    |                       | <b>Packaging volume</b>          | 1,24 dm <sup>3</sup>   |
|                                    |                       | <b>Packaging description</b>     | Carton box   |
|                                    |                       | <b>Packaging quantity</b>        | 40 Pcs   |
|                                    |                       | <b>Packaging EAN code</b>        | 8015747290920  |
|                                    |                       | <b>Sub-packaging description</b> | Plastic box  |
|                                    |                       | <b>Sub-packaging quantity</b>    | 5 Pcs  |
|                                    |                       | <b>Sub-packaging EAN barcode</b> | 8015747290937  |

Part number

# C30MA 70 P



## Catalogue drawings



### C30MA..P contacts

| conductor section (mm <sup>2</sup> ) | conductor slot $\varnothing A$ (mm) | $\varnothing B$ (mm) | C (mm) | conductor stripping length (mm) |
|--------------------------------------|-------------------------------------|----------------------|--------|---------------------------------|
| 16                                   | 5,5                                 | 18                   | 42,7   | 19                              |
| 25                                   | 7                                   | 18                   | 42,7   | 19                              |
| 35                                   | 8,2                                 | 18                   | 43,7   | 20                              |
| 50                                   | 10                                  | 18                   | 49,2   | 22,5                            |
| 70                                   | 11,5                                | 18                   | 49,2   | 22,5                            |
| 95                                   | 13,5                                | 21                   | 49,2   | 22,5                            |
| 120                                  | 15,5                                | 21                   | 49,2   | 22,5                            |

## Notes

### California Proposition 65 Information



### WARNING

This product can expose you to lead and its compounds, known to the State of California to cause cancer and/or reproductive toxicity. For more information go to [www.P65Warnings.ca.gov](http://www.P65Warnings.ca.gov).