



| | | | | |
|---|----------------------------------|-----------------|------------------------------|--------------------------|
| Product designation | | | | Auxiliary contactor |
| Product type designation | | | | BF00 |
| Contact characteristics | | | | |
| Number of poles | Nr. | | | 4 |
| Rated insulation voltage U_i IEC/EN | V | | | 690 |
| Rated impulse withstand voltage U_{imp} | kV | | | 6 |
| Operational frequency | min | Hz | 25 | |
| | max | Hz | 400 | |
| IEC Conventional free air thermal current I_{th} | A | | | 10 |
| Operational current I_e | AC-1 ($\leq 55^\circ\text{C}$) | | A | 0 |
| | gG (IEC) | | A | 25 |
| Tightening torque for terminals | min | Nm | 1.5 | |
| | max | Nm | 1.8 | |
| | min | lbin | 1.1 | |
| | max | lbin | 1.5 | |
| Tightening torque for coil terminal | min | Nm | 0.8 | |
| | max | Nm | 1 | |
| | min | lbin | 0.8 | |
| | max | lbin | 0.74 | |
| Max number of wires simultaneously connectable | Nr. | | | 2 |
| Conductor section | AWG/Kcmil | | | |
| | max | | 10 | |
| Flexible w/o lug conductor section | min | mm ² | 1 | |
| | max | mm ² | 6 | |
| Flexible c/w lug conductor section | min | mm ² | 1 | |
| | max | mm ² | 4 | |
| Flexible with insulated spade lug conductor section | min | mm ² | 1 | |
| | max | mm ² | 4 | |
| Power terminal protection according to IEC/EN 60529 | | | | IP20 when properly wired |
| Mechanical features | | | | |
| Operating position | normal allowable | | Vertical plan $\pm 30^\circ$ | |

| | | | | |
|--|-----------------------------|-----|--|--------------------------|
| Fixing | | | | Screw / DIN rail 35mm |
| Weight | g | | | 494 |
| Conductor section | AWG/kcmil conductor section | | | |
| | max | | | 10 |
| Auxiliary contact characteristics | | | | |
| Thermal current I _{th} | A | | | 10 |
| IEC/EN 60947-5-1 designation | | | | A600 - P600 |
| Operating current AC15 | | | | |
| | 230V | A | | 3 |
| | 400V | A | | 1.9 |
| | 500V | A | | 1.4 |
| Operating current DC12 | | | | |
| | 110V | A | | 5.7 |
| Operating current DC13 | | | | |
| | 24V | A | | 5.7 |
| | 48V | A | | 2.9 |
| | 60V | A | | 2.3 |
| | 110V | A | | 1.25 |
| | 125V | A | | 1.1 |
| | 220V | A | | 0.55 |
| | 600V | A | | 0.2 |
| Operations | | | | |
| Mechanical life | cycles | | | 20000000 |
| Safety related data | | | | |
| Performance level B10d according to EN/ISO 13489-1 | mechanical load | | | cycles 20000000 |
| Mirror contacts according to IEC/EN 60947-4-1 | | | | YES |
| EMC compatibility | | | | yes |
| DC coil operating | | | | |
| DC rated control voltage | V | | | 125 |
| DC operating voltage | | | | |
| | pick-up | | | |
| | min | %Us | | 70 |
| | max | %Us | | 125 |
| | drop-out | | | |
| | min | %Us | | 10 |
| | max | %Us | | 40 |
| Average coil consumption ≤20°C | | | | |
| | in-rush | W | | 5.4 |
| | holding | W | | 5.4 |
| Max cycles frequency | | | | |
| Mechanical operation | cycles/h | | | 3600 |
| Operating times | | | | |
| Average time for U _s control | | | | |
| | in DC | | | |
| | Closing NO | | | |
| | min | ms | | 54 |
| | max | ms | | 66 |
| | Opening NO | | | |
| | min | ms | | 14 |
| | max | ms | | 17 |

| | | | |
|------------|-----|----|----|
| Closing NC | min | ms | 24 |
| | max | ms | 30 |
| Opening NC | min | ms | 47 |
| | max | ms | 57 |

UL technical data

General USE

Auxiliary contacts

AC current A 10

Contact rating of auxiliary contacts according to UL

A600 - P600

Ambient conditions

Temperature

Operating temperature

min °C -50
max °C 70

Storage temperature

min °C -60
max °C 80

Max altitude

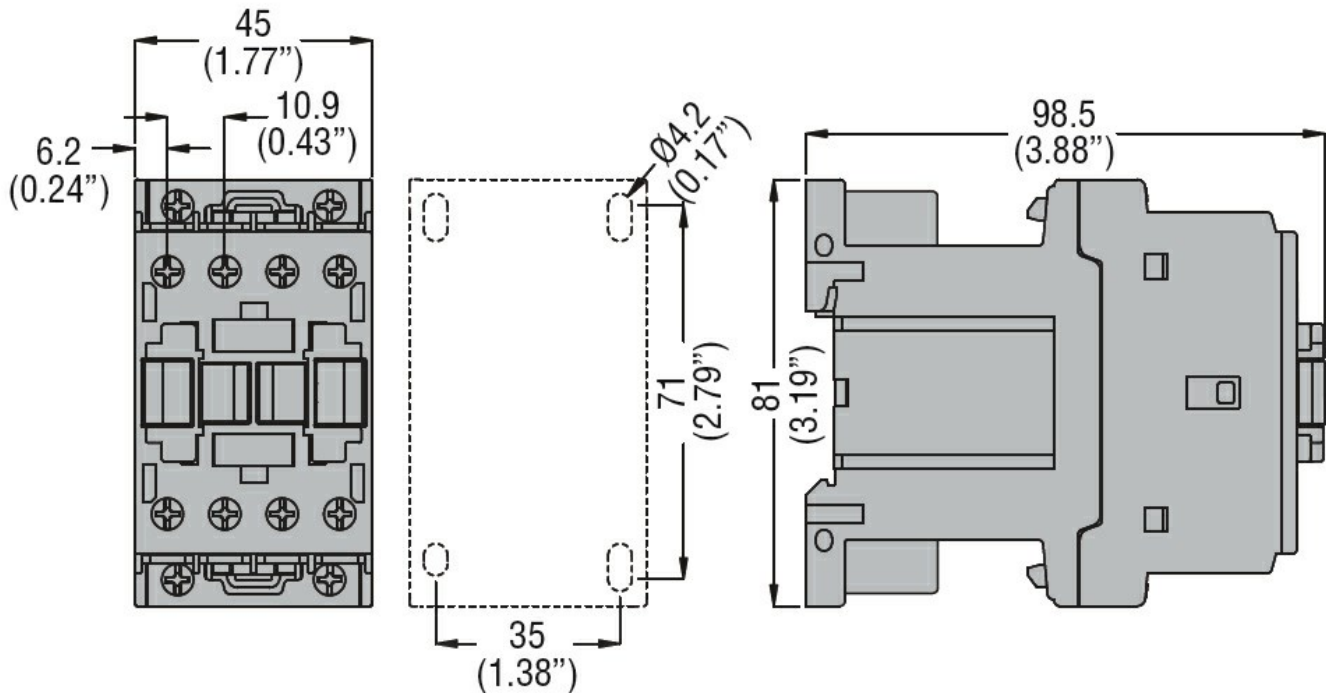
m 3000

Resistance & Protection

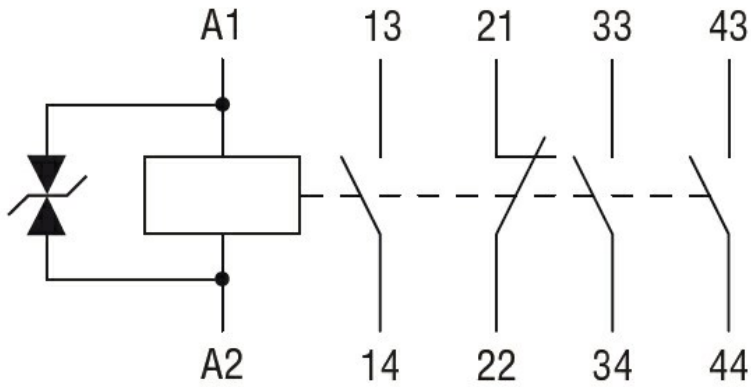
Pollution degree

3

Dimensions



Wiring diagrams



Certifications and compliance

Compliance

CSA C22.2 n° 60947-1

CSA C22.2 n° 60947-5-1

IEC/EN 60947-1

IEC/EN 60947-5-1

UL 60947-1

UL 60947-5-1

Certificates

CCC

cULus

EAC

ETIM classification

ETIM 8.0

EC000196 -
 Contactor relay