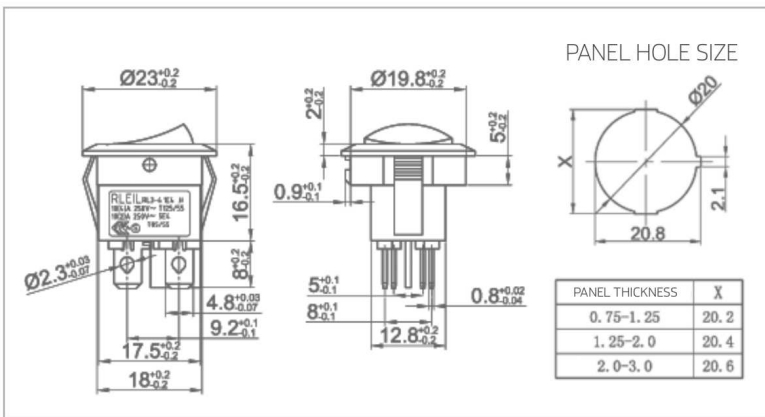


# RL-34R - Interrupteur à bascule bipolaire pour découpe diamètre 20 mm.

Commutation 

RL-34(R)-21-G-2-BK/BK-P8



RU c RU

(G): 6 (2)A 250VAC T125/55 1E4  
10A 125VAC

(H): 10 (4)A 250VAC T125/55 1E4  
10 (2)A 250VAC T85/55 5E4  
16A 125V/10A 250VAC 1/3HP  
125-250VAC T105

**RL-34(R)** - 21 - G - 2 - BK/BK - P8 - 0 ... (2)

Function Rating Cap printing Cap colour / Terminals Nothing Voltage  
Housing

Function		Rating		Cap printing		Cap colour/Housing		Terminals		Voltage	
21/N	ON - OFF - 4T w/lamp	G	10A 125 VAC 6A 250 VAC	0	None	WT	White	(P4)	0 Nothing	1	110VAC
21	ON - OFF 4T	H	16A 125 VAC 10A 250 VAC	1		BK	Black		P PVC/Cap.	2	220VAC
11	ON - OFF 2T			2		RE	Red			3	12VDC
11/N	ON - OFF 3T w/lamp			3		OR	Orange		4	24VDC	
21/N-D	ON - OFF - 4T w/round lens			4		GR	Green				
				5		BL	Blue				
		8		GE	Grey						
		X	Custom								