

4

3

2

DWG NO. WR000251_SPARES

SH 1

REV B

THIS DOCUMENT AND THE INFORMATION CONTAINED HEREIN ARE PROPRIETARY TO ZODIAC POOL SYSTEMS, INC. AND SHALL NOT BE REPRODUCED, TRANSFERRED TO OTHER DOCUMENTS, USED OR DISCLOSED TO OTHERS FOR MANUFACTURING OR ANY OTHER PURPOSE EXCEPT AS SPECIFICALLY AUTHORIZED IN WRITING BY ZODIAC POOL SYSTEMS, INC.

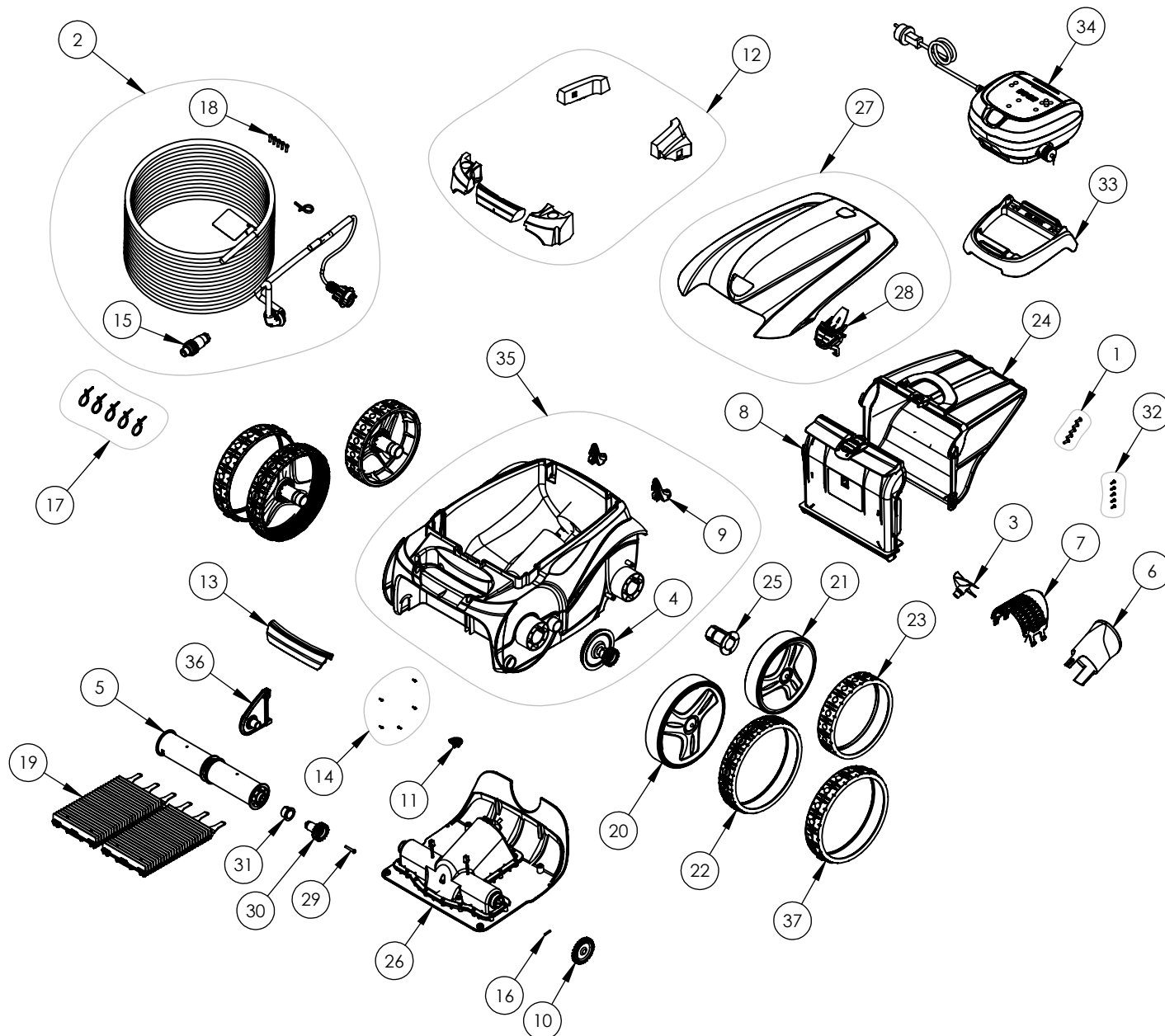
Référence SE / Assy #	Désignation SE / Assy Name
WR000251_SPARES	OV 3310 SPARES

REVISIONS

REV.	ECR	DRAFT	CHECKED BY	APPROVED BY	RELEASE DATE
B	205527	MEERI	A.LANCRY	F.LOSSOUARN	08.11.19

CHANGE:
R0636400 TIRE LARGE TILE ZODIAC ADDED

No	Référence/ Part	Désignation / Description	Qty
1	R0516700	SCREW 4*12MM (SET OF 5)	1
2	R0516800	FLOATING CABLE 18M	1
3	R0517000	PROPELLER	1
4	R0517200	TRANSMISSION	2
5	R0517400	BRUSH ROLLER	1
6	R0517500	FLOW OUTLET	1
7	R0517600	MOTOR SCREEN	1
8	R0517700	FILTER CANISTER SUPPORT	1
9	R0518100	ROLLER (SET OF 2)	1
10	R0518800	DRIVE GEAR (SET OF 2)	1
11	R0519000	RAMPE	1
12	R0539700	FLOAT	1
13	R0540400	HANDLE BLUE	1
14	R0564500	SCREW 2.2*6.5MM (*5)	1
15	R0565600	FLOATING CABLE PLUG	1
16	R0567800	MOTOR BLOCK SHAFT PIN (SET OF 5)	1
17	R0567900	FLOATING CABLE CLAMP (SET OF 5)	1
18	R0608500	SCREW 4*16MM (SET OF 5)	1
19	R0635901	BRUSH TYPE 1 PMS2915 ZODIAC (*2)	1
20	R0636002	RIM LARGE PMS2915 ZODIAC	2
21	R0636101	RIM REAR PMS2915 ZODIAC	2
22	R0636200	TIRE LARGE RAL9022 ZODIAC	2
23	R0636301	TIRE REAR RAL9022 ZODIAC	2
24	R0636600	FINE FILTER V	1
25	R0636700	WHEEL BUSHING ZODIAC	4
26	R0637800	MOTOR BLOCK TYPE A	1
27	R0638200	COVER RV4460	1
28	R0638700	COVER LATCH GRIP	1
29	R0638900	SCREW 4*25 MM (SET OF 5)	1
30	R0639000	17 GEAR (*2)	1
31	R0639100	OUTER BEARING (*2)	1
32	R0639200	SCREW 2.9*9.5 MM (SET OF 5)	1
33	R0662600	CONTROL UNIT BASE	1
34	R0713300	CONTROL UNIT TYPE 9V	1
35	R0880400	MAIN HOUSING 2WD II PMS295	1
36	R0880500	ROLLER SUPPORT PMS295	1
37	R0636400	TIRE LARGE TILE ZODIAC	2



UNLESS OTHERWISE SPECIFIED:

TOLERANCES:

DO NOT SCALE DRAWING
THIRD ANGLE PROJECTION.
DIMENSIONS ARE IN INCHES.

IMPERIAL	METRIC	ANGULAR
X = ±.1	X = ±.5	± 1°
.XX = ±.03	.XX = ±.10	
.XXX = ±.005	.XXX = ±.050	

MATERIAL:	APPROVALS	DATE
SEE NOTES	DRAFT MEERI	30.10.19
HEAT TREAT:	CHECK A.LANCRY	30.10.19
FINISH:	APPROVE F.LOSSOUARN	30.10.19

ZODIAC
ZODIAC®

TITLE:
OV 3310 SPARES

SIZE **B** SOFTWARE **S** DWG. NO. **WR000251_SPARES** REV. **B**

SCALE: NONE

SHEET: 1 OF 1